



# ENGINEERING EXCELLENCE

Americana Series #6AM101T

PARTS BREAKDOWN SHEET

### DESCRIPTION

- Single Handle Diverter Trim Set
- Metal Lever Handle
- Diverter Valve Face Plate
- Diverter Valve Sleeve

### FINISHES

- PC PVD Polished Chrome
- BN PVD Brushed Nickel
- PB PVD Polished Brass
- PN PVD Polished Nickel
- SS PVD Stainless Steel



### STANDARDS APPLICABLE

- ASME A112.18.1
- ANSI A117.1
- CUPC / IAPMO LISTED /ADA COMPLIANT

#6AM101T SHOWN \* ADA 

Model #: \_\_\_\_\_

Specific Features: \_\_\_\_\_

Project Name: \_\_\_\_\_

Submitted For: \_\_\_\_\_

Model	Description	Finishes
#6AM101T	Single Handle Diverter Trim Set	<input type="checkbox"/> PC <input type="checkbox"/> Other ____

Required Valve	
#4100B	Single Handle Diverter Valve Set <input type="checkbox"/> N/A



ENGINEERING EXCELLENCE

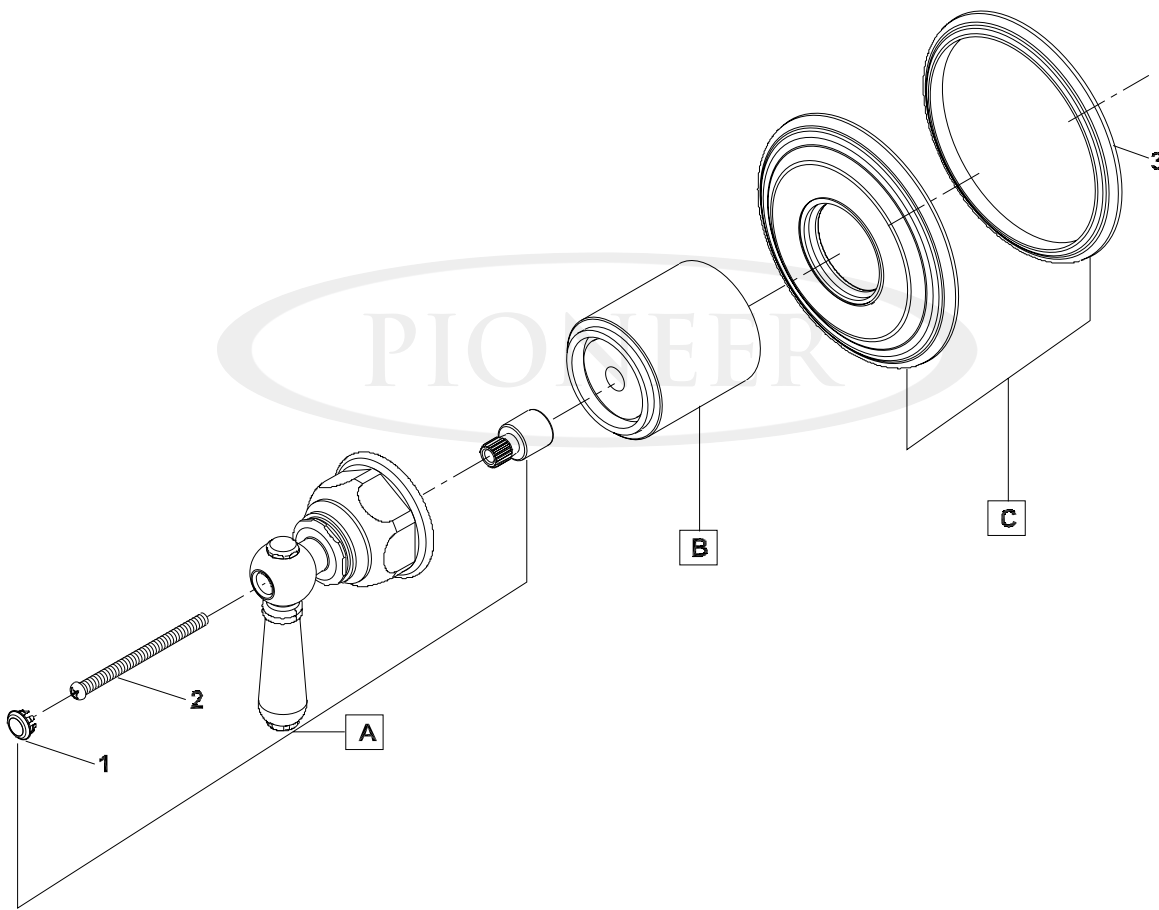
Pioneer: 1-800-338-9468  
 Commerce, CA 90040  
 www.pioneerind.com  
 Pioneer Industries, Inc. © 2012

DMPB6AM101T/REV. 06 2012

Page 1 of 2

	ITEM#	DESCRIPTION
A	X-1600002*	Diverter Handle
B	X-4600014*	Diverter Sleeve
C	X-6600001*	Diverter Face Plate
1	X-4900042P*	Handle Button
2	X-4600027	Screw
3	X-4600025	Diverter Face Plate rubber gasket

\* Note- Please specify finish\color code while ordering.



Product Diagram



ENGINEERING EXCELLENCE

Pioneer:1-800-338-9468  
 Commerce, CA 90040  
 www.pioneerind.com  
 Pioneer Industries, Inc. © 2012