

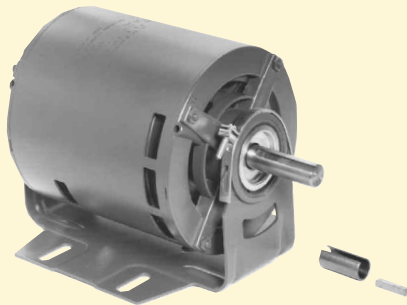
# Fan & Blower Motors - Special Service - Split Phase

5½ inch dia. MARS SERIES 045



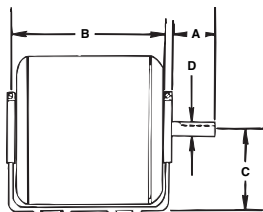
GE Commercial Motors

By Regal-Beloit



## Split Phase 56 Frame Motors

GE base mount 56 frame split phase special service motors with 1.0 service factor are for use on summer cooling fans, evaporative coolers, power tools and industrial fans and blowers. Models with 1.25 service factor are for use on residential and commercial belted air handlers, exhaust fans and furnaces.



### Features:

- Ball bearings
- Reversible rotation
- Single and two-speed models
- Resilient base mounting
- 5/8 inch shaft with key

### Specifications:

- Single phase, 60 Hertz
- Overload protection
- Open construction
- continuous duty, 40°C ambient

### Reversible Rotation

MARS NO.	GE NO. 5KH	MARATHON NO.	HP	VOLTS	FLA	RPM	SF	DIMENSIONS				NEMA FRAME
								A	B	C	D	
04604 <sup>(1)</sup>	39QN9631T	H131	1/2-1/6	115	8.4/4.8	1725/1140	1.00	1.88	8.50	3.5	5/8	56
04605	39QN9642T	H133	1/2-1/6	230	4.1/2.4	1725/1140	1.00	1.88	8.50	3.5	5/8	56
04624 <sup>(2)</sup>	49PN3026	H175	1/2-1/6	115	8.0/4.2	1725/1140	1.25	1.88	9.60	3.5	5/8	56

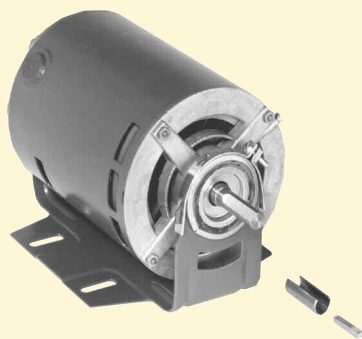
(1) Requires continuous air over for adequate cooling (2) No overload protection

GE by RBC



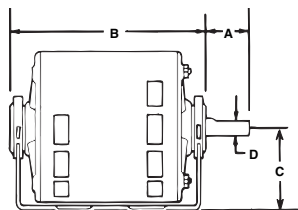
GE Commercial Motors

By Regal-Beloit



## Special Service Fan And Blower Motors

GE special service motors are designed for industrial fan and blower applications and are also suitable for use in evaporative coolers.



### Features:

- All angle sleeve or ball bearings
- Single and two-speed models
- Reversible rotation
- Resilient base mount

### Specifications:

- Single phase, 60 Hertz
- Overload protected
- Open construction
- Fan duty, continuous, 40°C ambient
- 1.0 service factor

### Reversible Rotation - 4 Pole

MARS NO.	GE NO. 5KH	MARATHON NO.	HP	VOLTS	FLA	RPM	DIMENSIONS				NEMA FRAME
							A	B	C	D	
04412	39QN9550X	4412	1/4-1/12	230	2.1/1.3	1725/1140	1.5	7.00	3.0	1/2	48
04776	39QN5539T	-	1/3	115	6.3	1725	1.5	7.00	3.5	1/2 <sup>(1)</sup>	56Z
04319 <sup>(2)</sup>	39QN9429T	4319	1/3-1/9	115	6.4/2.8	1725/1140	1.5	8.75	3.0	1/2	48
04344	37PN33	H171	1/4-1/12	115	4.2/2.7	1725/1140	1.88	8.81	3.0	1/2	48Z
04311	39QN5529X	4311	1/3	230	3.2	1725	1.5	6.75	3.0	1/2	48
04778 <sup>(3)</sup>	39QN9639T	-	1/2	115	8.1	1725	1.5	7.50	3.5	1/2 <sup>(1)</sup>	56Z
04396	39QN9683	4396	1/3-1/9	115	6.3/3.1	1725/1140	1.5	9.00	3.0	1/2	48

(1) 5/8 inch shaft adapter with key included (2) Extended thru bolts, shaft end (3) Ball bearing

MARATHON

M-56

The largest selection of motors, components and accessories for the HVAC/R Industry

