

826 Reo™

Vitreous China, Above Counter Demi-Vessel




Features

- 25-5/8" x 15-1/2" Above counter demi-vessel
- 16-3/4" x 12-3/8" basin
- The Mansfield® limited lifetime warranty
- Available in White and Standard Colors: Biscuit and Bone



Model 826
(Less faucet, drain
assembly and supply)

Components

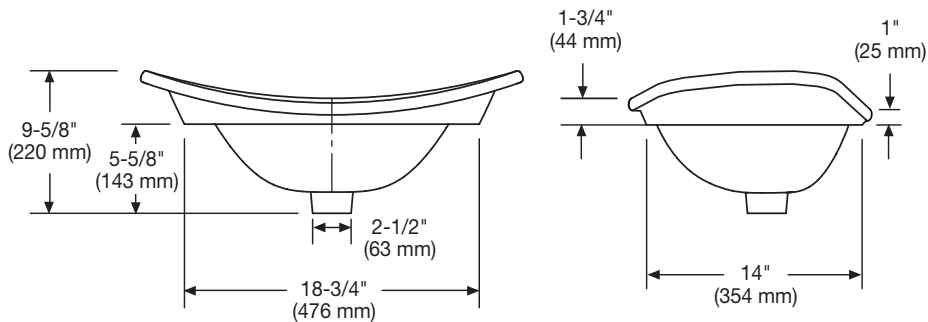
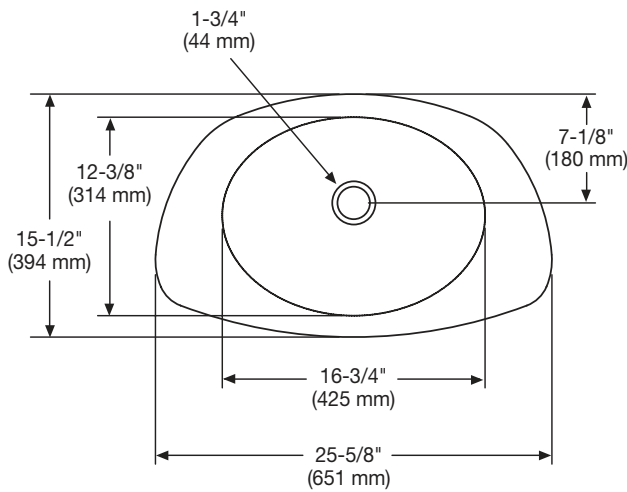
Model #	Description	Codes/Standards
826	Above counter demi-vessel. Less faucet, drain assembly and supply. Specify color.	

Specifications

Model #	Description	Codes/Standards
826	25-5/8" x 15-1/2" Above counter demi-vessel	

Specification	Description	Specification	Description
Material	Vitreous China	Shipping Weight	21 lbs. (10 kg)
Warranty	Vitreous China - Limited Lifetime		

Technical Information



See our complete line of acrylic and vitreous china bathroom fixtures, plastic tank trim and plumbing products.

These dimensions are nominal and subject to change without notice.

Fixture performance and specifications meet or exceed ASME A112.19.2-2008/CSA B45.1-08 standards, and other state and local codes.