


Features

- 23-7/8" x 21-9/16" pedestal lavatory
- 19-1/4" x 14-5/8" basin
- 33" luxury height
- Integral rear overflow
- Available in single, 4" or 8" faucet centers
- Mansfield® limited lifetime warranty
- Available in White and Standard Colors: Biscuit and Bone



Model 349-4
 (Less faucet, drain
 assembly and supply)

Components

Model #	Description	Codes/Standards
349	24" x 21-1/2" Pedestal Lavatory. Less faucet, drain assembly and supply. Specify color.	
348-1	Single hole faucet center.	
348-4	Same as above with 4" faucet center. Specify color.	
348-8	Same as above with 8" faucet center. Specify color.	
344	Pedestal only. Specify color.	

Specifications

Model #	Description	Codes/Standards
349	23-7/8" x 21-9/16" Pedestal Lavatory.	

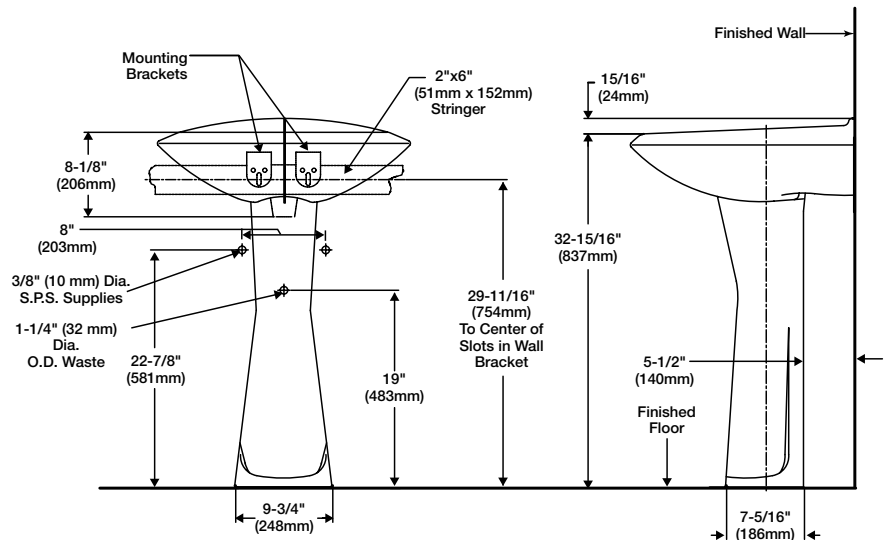
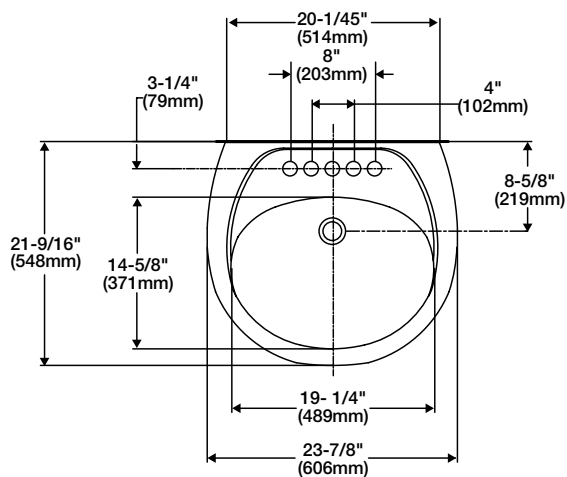
Specification	Description	Specification	Description
Material	Vitreous China	Shipping Weight	Model 348 - 36 lbs. (16 kg) Model 344 - 28 lbs. (12 kg)
Warranty	Vitreous China - Limited Lifetime		
Faucet Holes	4" - 1-3/8" or 8" - 1-3/8"		

Technical Information



This pedestal lavatory comes with two heavy-duty plastic mounting brackets. Easily installed and adjusted, each contains three holes for solid mounting against wall. Anchoring screws must be used for correct installation. Standard plumbing practice recommends use of both mounting brackets and anchoring screws.

NOTE: For secure installation, wall-mounting hanger should be fastened to solid, support wall stud.



See our complete line of acrylic and vitreous china bathroom fixtures, plastic tank trim and plumbing products.

These dimensions are nominal and subject to change without notice.

Fixture performance and specifications meet or exceed ASME A112.19.2-2008/CSA B45.1-08 standards, and other state and local codes.