

**Models 6739**  
**PRO-FIT® 6060**  
**Corner Air Massage Bath**



**Features**




- 59-3/4" x 59-3/4" x 21-1/4" Corner air massage bath
- Powerful, single-speed blower and air switch for reliable operation
- Heating element warms the air before it enters the bathing well through the perimeter channel
- 20 minutes after the bath is turned off the motor automatically blows any remaining residue out of the "Quick Drain" air channel
- Limited One-Year Warranty
- Available in Standard Colors: white, almond, biscuit, and bone





Model 6739  
 (Shown with metal air switch and Lift and Turn drain)

**Options**

**Lift and Turn Drain**

Model #	Description		Model #	Description	
PF1320	Polished Chrome		SWAP00	Nailing flange kit	
PF1321	Everbrass (PVD)		SWP150	Factory installed nailing flange	
PF1322	Brushed Nickel				
PF1323	Oil Rubbed Bronze				

**Metal Trim**

Model #	Description		Model #	Description	
PF2335	Polished Chrome		PF1328	Removable corner apron	
PF2336	Everbrass (PVD)				
PF2337	Brushed Nickel				
PF2338	Oil Rubbed Bronze				



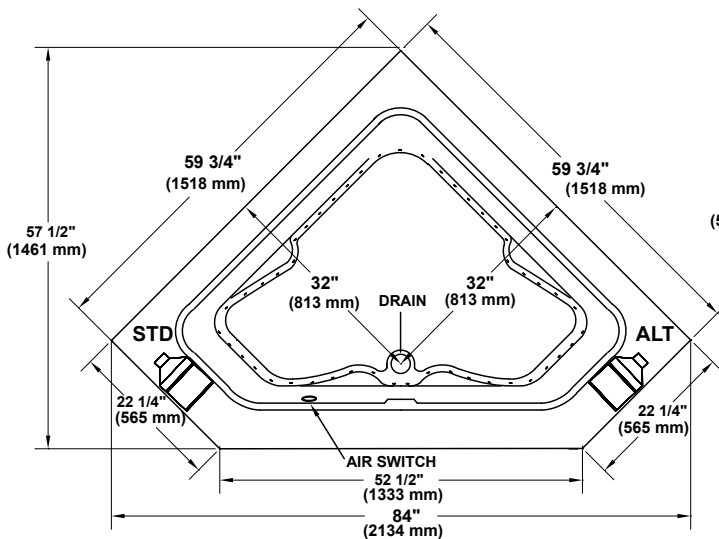
**MADE IN USA**

## Specifications

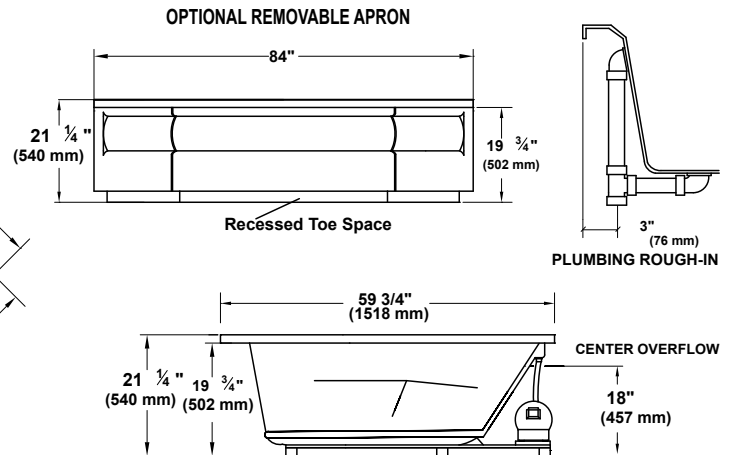
Model #	Description	Codes/Standards
6739	59-3/4" x 59-3/4" x 21-1/4" Corner Air Massage Bath	

Specification	Description	Specification	Description
Material	Acrylic, fiberglass reinforced	Number of Jets	58
Construction	Self-contained, pre-plumbed air massage bath, mounted on a pre-leveled base	Water Capacity	60 gal. (min.) / 85 gal. (max.)
Blower Motor	120V, 60HZ, 6.0 Amp, Single Speed, 200 Watt Heater, Single Phase-Pre-mounted	Floor Loading Weight	47 lbs. / sq. ft. (229 kg/m <sup>2</sup> )
Electrical Requirements	120V, 15 Amp, GFCI protected	Shipping Weight	167 lbs.
On/Off Control	Air Switch	Warranty	Limited One Year

## Technical Information



Blower Locations shown for clarity.  
 STD - Standard Location, ALT - Alternate Location  
 Required Blower Motor Access  
 (20" W x 15" H)



\*NOTE: If a factory installed nailing flange is added to a unit, add 1/8" to each side flanged.

Note: Measurements may vary 1/4" (+/-)

These dimensions are nominal and subject to change without notice.

When tested for compliance to the requirements of ASME A112.19.7M for "Whirlpool Bath Appliances" and ANSI Z124.1.2M "American National Standard for Plastic Bathtub and Shower Units", the tested units are found to comply and are acceptable for listing under IAPMO R & T.

Certified for permanent electrical connection only.

