

# Little **GIANT** Pump Company

## PES-100-PW SERIES



### Features

- Energy efficient
- Corrosion resistant body
- Built-in flow control
- 6' power cord
- 4' maximum lift
- 5 watts
- Discharge accepts 3/8" or 1/2" I.D. tubing

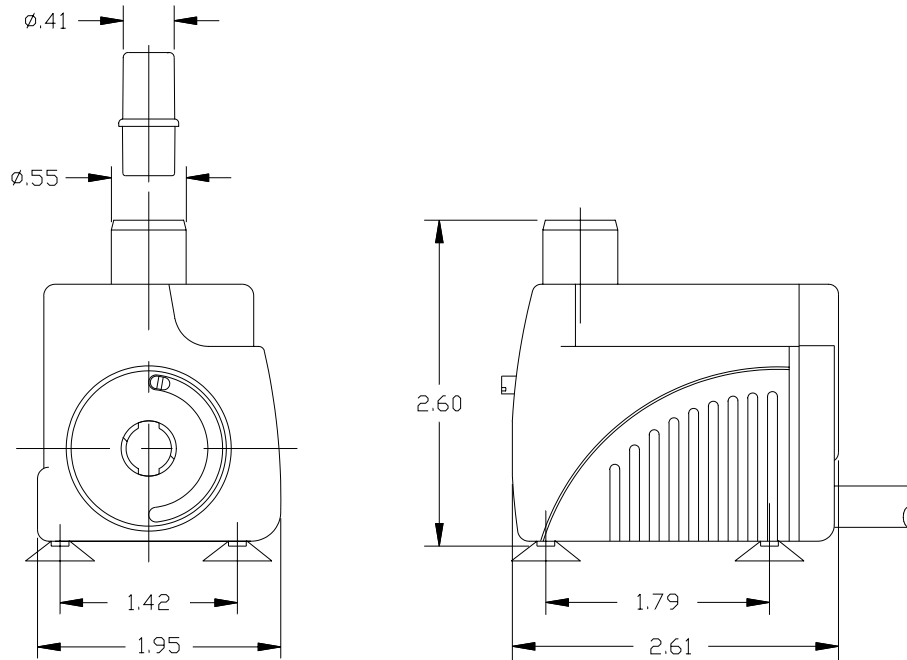
### Construction

- Motor — Wet-Rotor (Hysteresis) Epoxy Encapsulated
- Intermittent Liquid Temp. up to — 120° F
- Discharge — 3/8" or 1/2" Slip
- Housing — Glass filled polyester
- Cover — Glass filled polyester
- Volute — ABS
- Impeller — Polyester
- Screen — ABS

This wet-rotor pump, often referred to as a magnetic-drive pump by other manufacturers, utilizes an epoxy-encapsulated motor and plastic housing. A permanent magnet is attached to the impeller. The magnet acts as the rotor would in a conventional motor. The water being pumped surrounds the rotor, thus the term "wet-rotor". It is seal-less and oil-less. This pump works well in water garden, statuary and some industrial applications. It is

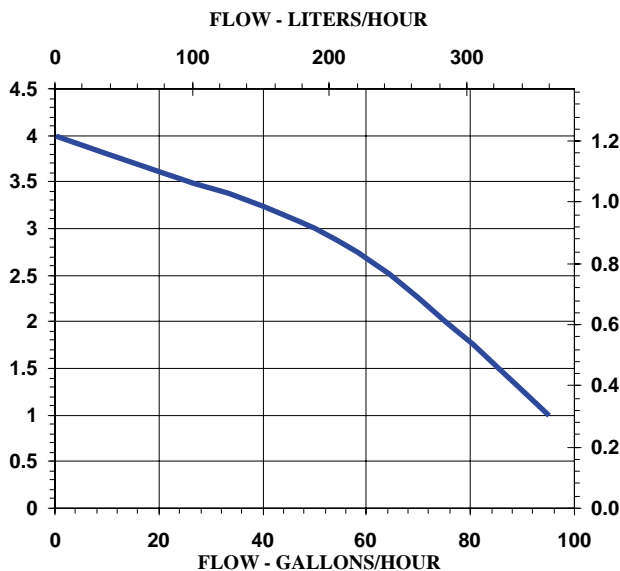
# Little Giant Pump Co.

## PES-100-PW SERIES



### Specifications

Model No.	Item No.	Discharge	Listings	HP	Volts	Hertz	Amps	Watts	Performance (GPH @ Head)		Shut Off Feet	PSI	Pwr. Cord (ft)	Weight (Lbs.)
									1'	3'				
PES-100-PW	566605	3/8" or 1/2" Slip	UL/CSA	N/A	115	60	0.1	5	95	50	4	1.7	6	1.20
PES-100	519580	3/8" or 1/2" Slip	UL/CSA	N/A	115	60	0.1	5	95	50	4	1.7	6	1.20



### Replacement Parts

Filter, Foam	119551
Plate, Filter	119552
Impeller Assy	599089
Screen	119554
Volute/Plate	119556
Feet/Discharge	119557

---

For technical advice or service please take your pump into your local pump service center.  
To order pump or parts or for pricing please go to the following links :

[Little Giant Pumps Home >>](#)

[Little Giant Pumps stock list >>](#)