

Seat shall be Comfort™ Seats

Model Number C8033-O

Standard Plastic Toilet Seat

Elongated Open Front with Cover

Category

HOSPITALITY

Features

- Injection molded durable polypropylene plastic with UV protection
- Molded in bumpers
- Matching adjustable hinge
- Corrosion proof POM nuts, bolts and washers
- Rubberized non-skid pads
- Top mount design
- Extra-large pintels for stability

Seat Color/Finish

Specify white, bone and biscuit

Hinge Color/Finish

Specify white, bone and biscuit

Product Specifications

Hinge Design: Slip-fit hinge

Ring Thickness: 5/8"

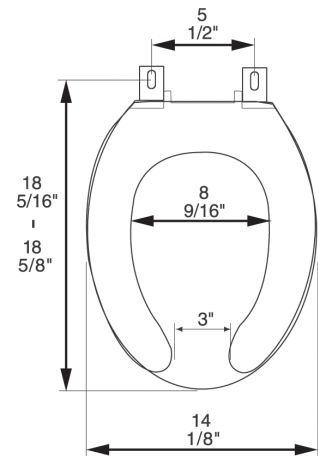
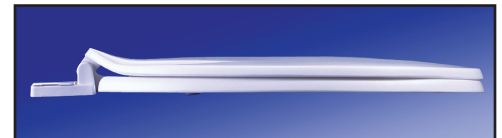
Ring Thickness with Bumper: 3/4"

Height of Seat with Cover: 1 3/8"

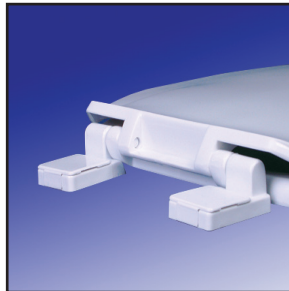
Size: ANSI Standard Toilet - Meets Z124.5 Section 5.1.2

Additional Information

All seats feature UV protection.



Corrosion proof, self-aligning hardware



Slip-fit "living" hinge covers