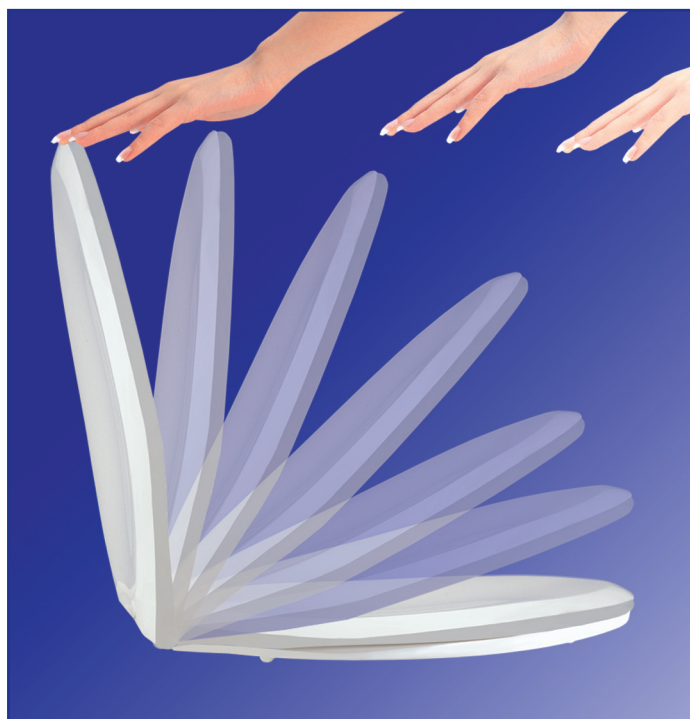


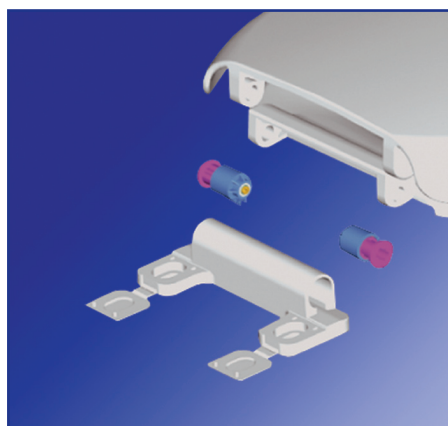
EZ CLOSE™

Gently Tap - Slowly Closes



Features:

- Prevents Slamming of the Toilet Seat
- No Pinching of Fingers – Safer for Children
- Gently Tap the Seat and it Slowly Closes
- Both the Toilet Seat and the Cover Have Separate EZ CLOSE™ Features
- Strong & Durable – Injection Molded of High Impact, Chemically Resistant Polypropylene
- Keep Your Bathroom Looking Neat and Tidy
- A Seat for Every Member of the Family – Promotes Closing the Seat and Cover
- Perfect for Health Care and Assisted Living Environments
- Simple to Install – Only Requires a Screwdriver



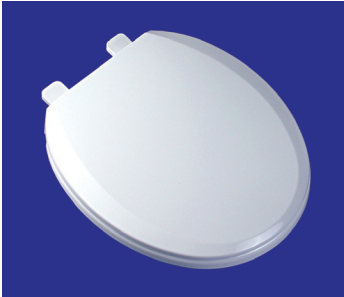
*Heavy Duty EZ CLOSE™
Damper System*

comfort™ seats
a Jones Stephens Brand
where quality and comfort meet™

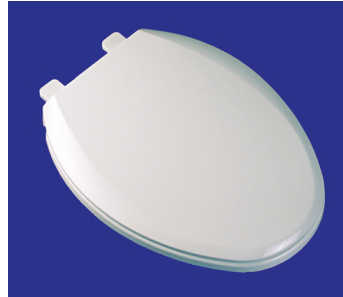
EZ CLOSE™

Gently Tap - Slowly Closes

Choose from Eleven Beautiful EZ CLOSE™ Toilet Seat Models



Retail Cat. #: C3B3R7S (Wh, Bo)
Contr. Cat. #: C1210S (Wh, Bo, Bi)
Solid Plastic
Regular Closed Front with Cover



Retail Cat. #: C3B3E7S (Wh, Bo)
Contr. Cat. #: C1211S (Wh, Bo, Bi)
Deluxe Solid Plastic
Elongated Closed Front with Cover



Retail Cat. #: C3B4R2S (Wh)
Contr. Cat. #: C-013WDS (Wh, Bo, Bi)
Deluxe Molded Wood
Regular Closed Front with Cover



Retail Cat. #: C3B4E2S (Wh)
Contr. Cat. #: C-014WDS (Wh, Bo, Bi)
Deluxe Molded Wood
Elongated Closed Front with Cover



Retail Cat. #: C3B3R4S (Wh)
Contr. Cat. #: C1606S (Wh, Bo, Bi, Colors)
Premium Solid Plastic
Regular Closed Front with Cover



Contr. Cat. #: C1606-OS (Wh, Bo, Bi)
Premium Solid Plastic
Regular Open Front with Cover



Retail Cat. #: C3B3E4S (Wh)
Contr. Cat. #: C2200S (Wh, Bo, Bi, Colors)
Premium Solid Plastic
Elongated Closed Front with Cover



Contr. Cat. #: C2200-OS (Wh, Bo, Bi)
Premium Solid Plastic
Elongated Open Front with Cover



Contr. Cat. #: C1508S (Wh, Bo, Bi)
Premium Solid Plastic
Elongated Closed Front for
One-Piece Toilet



Contr. Cat. #: C1050S (Wh, Bo, Bi)
Premium Solid Plastic
Elongated Square Closed Front
with Cover



Contr. Cat. #: C1050-OS (Wh, Bo, Bi)
Premium Solid Plastic
Elongated Square Open Front with
Cover