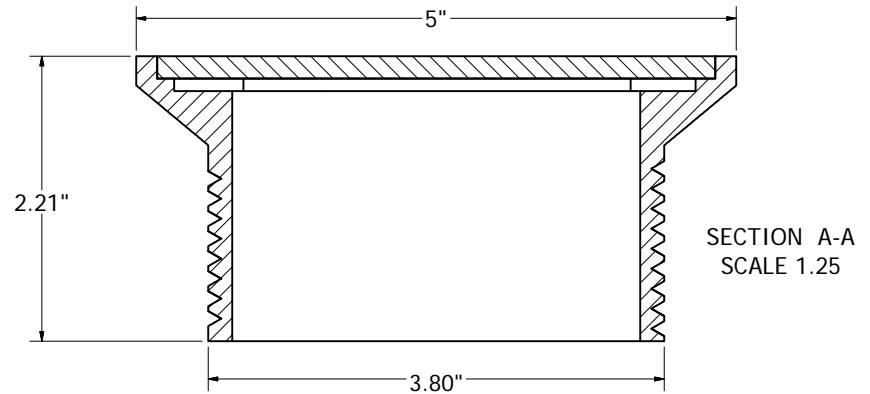
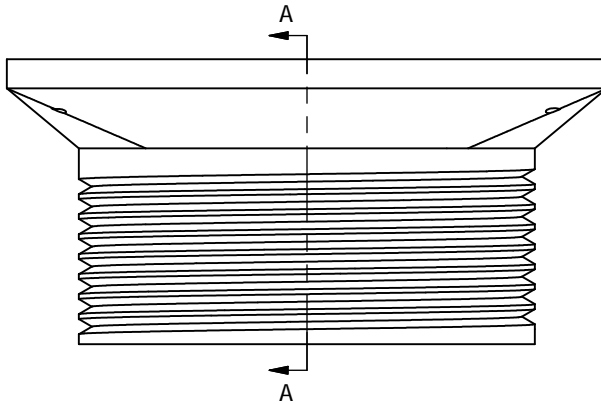
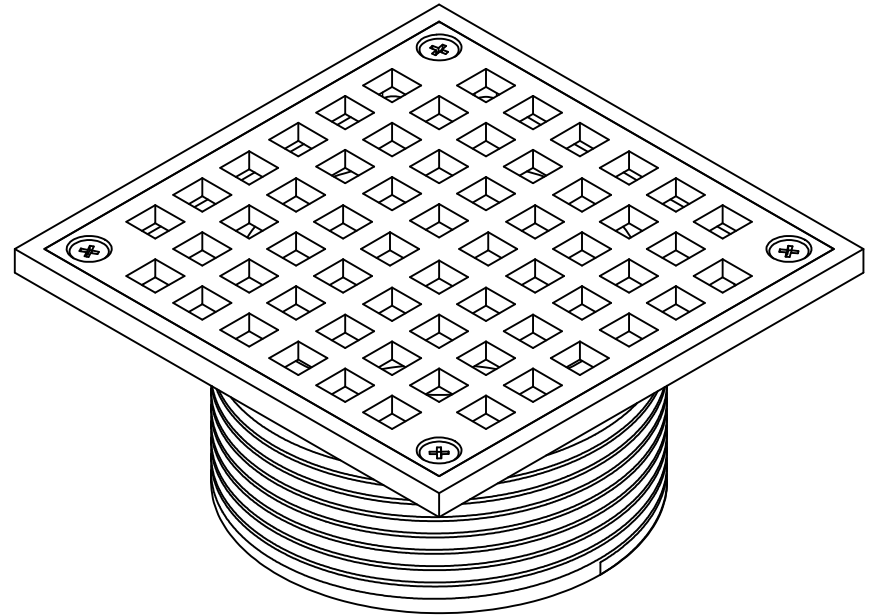
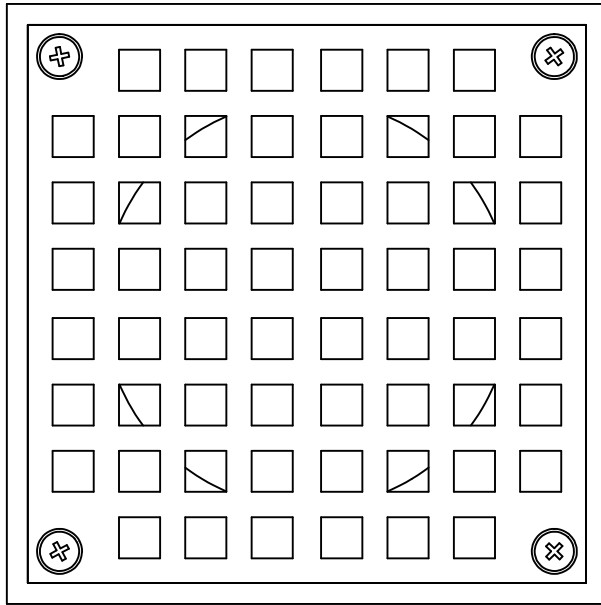


3-1/2" METAL SPUD W/ 5" SQUARE STR.



PHONE NUMBER
1-800-355-6637
FAX NUMBER
1-800-462-6991
SCALE 1.25 : 1 DATE 8-26-11
SHEET 1 OF 1
DRAWN BY
ASHLEY KRALOVEC

| | | | | | | | |
|----------|---------------|---------------|----------------|----------------|--------------|-------------------|------------------|
| PART NO. | D60954 | D60962 | D60960 | D6096BN | D6096NP | D6096RB | D6096WB |
| FINISH | CHROME PLATED | NICKEL BRONZE | POLISHED BRASS | BRUSHED NICKEL | PEARL NICKEL | OIL RUBBED BRONZE | OLD WORLD BRONZE |
| | | | | | | | |