
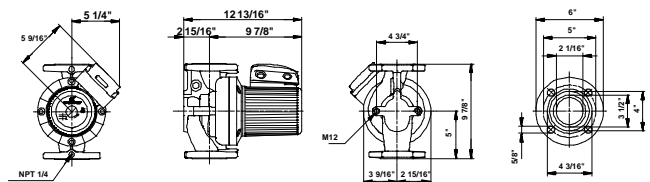




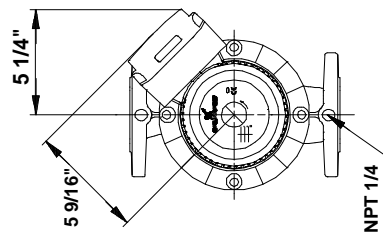
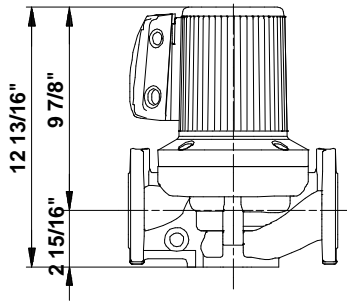
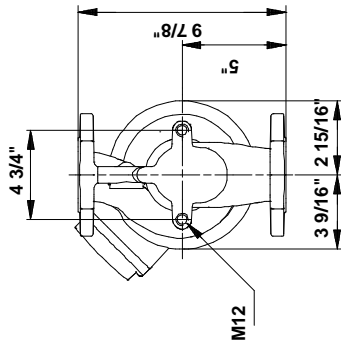
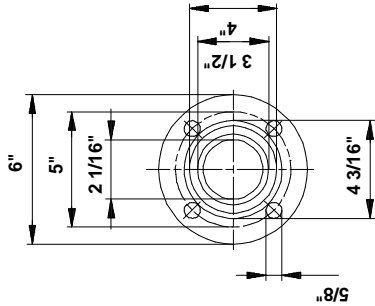
| Position | Count | Description | Unit price |
|----------|-------|---|------------|
| | -1 | <p>UP 53-46</p>  <p>Product photo could vary from the actual product</p> <p>Product No.: 96633592 The pump is of the canned rotor type, i.e. pump and motor form an integral unit without shaft seal and with only two gaskets for sealing. The bearings are lubricated by the pumped liquid.</p> <p>In order to avoid problems in connection with disposal, great importance has been attached to using as few different materials as possible.</p> <p>The pump is characterized by:</p> <ul style="list-style-type: none"> * 3-speed motor. * Ceramic radial bearings. * Carbon axial bearing. * Stainless steel rotor can, bearing plate and rotor cladding. * Aluminium alloy stator housing. * Bronze pump housing. * Stator with built-in thermal switch. <p>The motor is a 1-phase motor.</p> <p>The pump is supplied with a standard module in the terminal box. The standard module is to be connected to the mains supply via external contactor.</p> <p>Controls: Relay: with relay</p> <p>Liquid: Liquid temperature range: 14 .. 230 °F Liquid temp: 68 °F</p> <p>Technical: Maximum operating pressure: 145 psi Approvals on nameplate: CUL</p> <p>Materials: Pump housing: Bronze</p> | On request |

| Position | Count | Description | Unit price |
|----------|-------|---|------------|
| | | Impeller: DIN W.-Nr. 2.1176.01 Stainless steel DIN W.-Nr. 1.4301 AISI 304 Installation: Range of ambient temperature: 32 .. 104 °F Maximum operating pressure: 145 psi Flange standard: USA Type of connection: F Pipe connection: 53 Pressure stage: 145 psi Port-to-port length: 9 7/8" mm Electrical data: Max. power input: 420 W Main frequency: 60 Hz Rated voltage: 1 x 115/230 V Current in speed 3: 3.9/2.1 A Cos phi: 0,90 Capacitor size - run: 50 µF/240 V Enclosure class (IEC 34-5): X4D Insulation class (IEC 85): F Others: Net weight: 49.2 lb Gross weight: 57.1 lb Shipping volume: 2.12 ft ³ | |

| Description | Value |
|-------------------------------|--|
| Product name: | UP 53-46 F B |
| Product Number: | 96633592 |
| EAN number: | 5700835482525 |
| Technical: | |
| Speed Number: | 1 |
| Head max: | 15.1 ft |
| Maximum operating pressure: | 145 psi |
| Approvals on nameplate: | CUL |
| Model: | C |
| Materials: | |
| Pump housing: | Bronze DIN W.-Nr. 2.1176.01 |
| Impeller: | Stainless steel DIN W.-Nr. 1.4301 AISI 304 |
| Installation: | |
| Range of ambient temperature: | 32 .. 104 °F |
| Maximum operating pressure: | 145 psi |
| Flange standard: | USA |
| Type of connection: | F |
| Pipe connection: | 53 |
| Pressure stage: | 145 psi |
| Port-to-port length: | 9 7/8" mm |
| Liquid: | |
| Liquid temperature range: | 14 .. 230 °F |
| Liquid temp: | 68 °F |
| Electrical data: | |
| Max. power input: | 420 W |
| Main frequency: | 60 Hz |
| Rated voltage: | 1 x 115/230 V |
| Current in speed 3: | 3.9/2.1 A |
| Cos phi: | 0,90 |
| Capacitor size - run: | 50 µF/240 V |
| Enclosure class (IEC 34-5): | X4D |
| Insulation class (IEC 85): | F |
| Motor protection: | CONTACT |
| Thermal protec: | internal |
| Controls: | |
| Relay: | with relay |
| Pos term box: | 1.30H |
| Others: | |
| Net weight: | 49.2 lb |
| Gross weight: | 57.1 lb |
| Shipping volume: | 2.12 ft³ |
| Sales region: | Namreg |



96633592 UP 53-46 F B 60 Hz



Note! All units are in [mm] unless others are stated.
 Disclaimer: This simplified dimensional drawing does not show all details.