




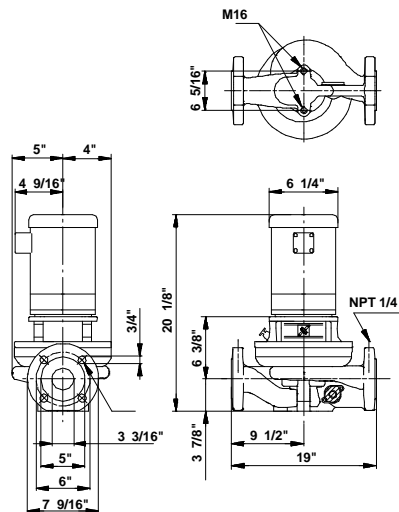
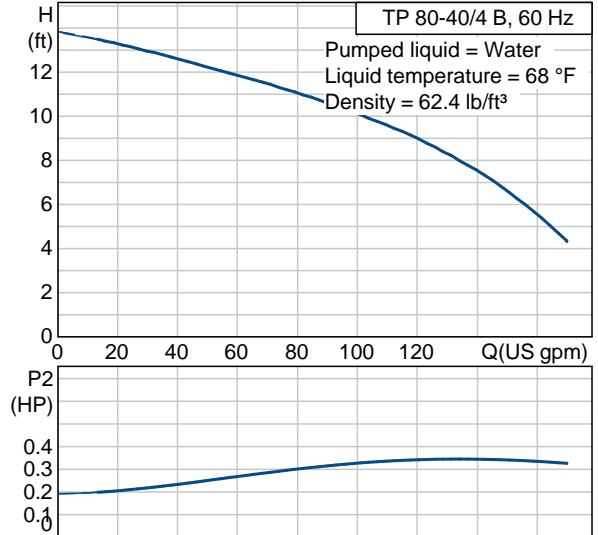
Position	Count	Description	Unit price
	-1	<p>TP 80-40/4 B U-G-Z-BUBE</p>  <p>Product photo could vary from the actual product</p> <p>Product No.: 96411825 Single-stage centrifugal in-line single-head pump.</p> <p>The in-line design with opposite suction and discharge ports enables mounting in pipework or on a concrete foundation.</p> <p>The shaft seal is a corrosion-resistant maintenance-free mechanical seal.</p> <p>The motor is a 1-phase AC motor.</p> <p>Liquid: Liquid temperature range: 5 .. 284 °F Liquid temp: 68 °F</p> <p>Technical: Speed for pump data: 1760 rpm Actual calculated flow: 119 US gpm Resulting head of the pump: 9.08 ft Shaft seal: BUBE Maximum operating pressure: 145 psi Approvals on motor nameplate: UL Recognized Component, CSA</p> <p>Materials: Pump housing: Bronze DIN W.-Nr. 2.1093 Impeller: Stainless steel DIN W.-Nr. 1.4301 AISI 304</p> <p>Installation: Maximum ambient temperature: 104 °F Maximum operating pressure: 145 psi Flange standard: ANSI Pipe connection: 3" Pressure stage: 125 Lb.</p> <p>Electrical data:</p>	On request



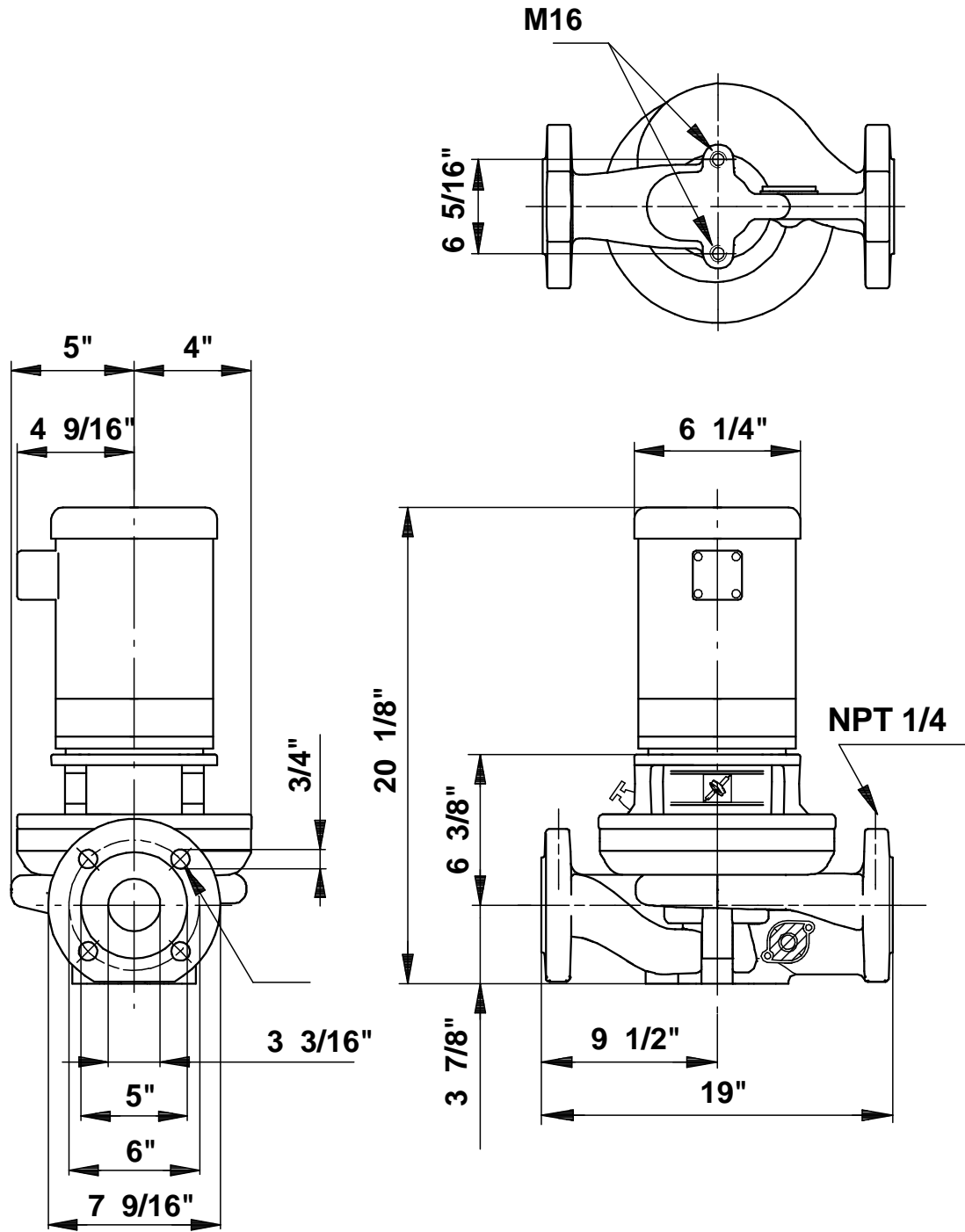
Company name: -
Created by: -
Phone: -
Fax: -
Date: -

Position	Count	Description	Unit price
		Motor type: Baldor, TEFC Number of poles: 4 Rated power - P2: 0.496 HP Main frequency: 60 Hz Rated voltage: 1 x 115/208-230 V Service factor: 1,25 Rated current: 7,4/3,9-3,7 A Starting current: 33/18,2-16,5 A Cos phi - power factor: 66 Rated speed: 1725 rpm Motor efficiency at full load: 68 % Insulation class (IEC 85): B Others: Net weight: 118 lb Gross weight: 128 lb Shipping volume: 4.98 ft ³	

Description	Value
Product name:	TP 80-40/4 B U-G-Z-BUBE U-G-Z BUBE
Product Number:	96411825
EAN number:	5700390525170
Technical:	
Speed for pump data	1760 rpm
Actual calculated flow:	119 US gpm
Resulting head of the pump:	9.08 ft
Head max:	13.1 ft
Shaft seal:	BUBE
Maximum operating pressure	145 psi
Approvals on motor nameplate:	UL Recognized Component, CSA
Pump Number:	96405270
Pump version:	U
Materials:	
Pump housing:	Bronze DIN W.-Nr. 2.1093
Impeller:	Stainless steel DIN W.-Nr. 1.4301 AISI 304
Material code:	Z
Installation:	
Maximum ambient temperature:	104 °F
Maximum operating pressure	145 psi
Flange standard:	ANSI
Connect code:	G
Pipe connection:	3"
Pressure stage:	125 Lb.
Liquid:	
Liquid temperature range	5 .. 284 °F
Liquid temp:	68 °F
Electrical data:	
Motor type:	Baldor, TEFC
Number of poles:	4
Rated power - P2:	0.496 HP
KVA code:	J
Main frequency:	60 Hz
Rated voltage:	1 x 115/208-230 V
Service factor:	1,25
Rated current:	7,4/3,9-3,7 A
Starting current	33/18,2-16,5 A
Load current:	8,2/4,3-4,1 A
Cos phi - power factor:	66
Rated speed:	1725 rpm
Motor efficiency at full load:	68 %
Insulation class (IEC 85):	B
Motor protection:	CONTACT
Thermal protec:	internal
Motor Number:	85701002
Others:	
Net weight:	118 lb
Gross weight:	128 lb
Shipping volume:	4.98 ft³
Country code:	Namreg



96411825 TP 80-40/4 B 60 Hz



Note! All units are in [mm] unless others are stated.
 Disclaimer: This simplified dimensional drawing does not show all details.