




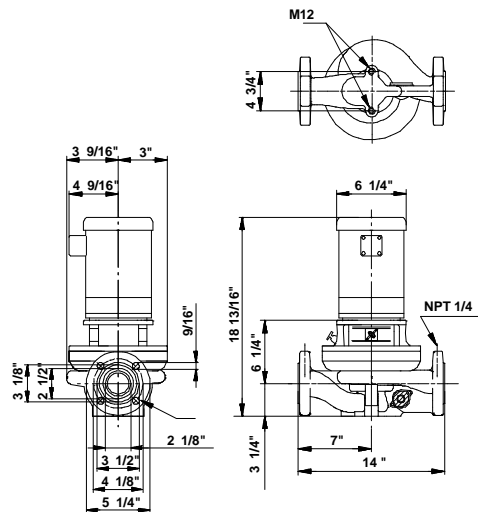
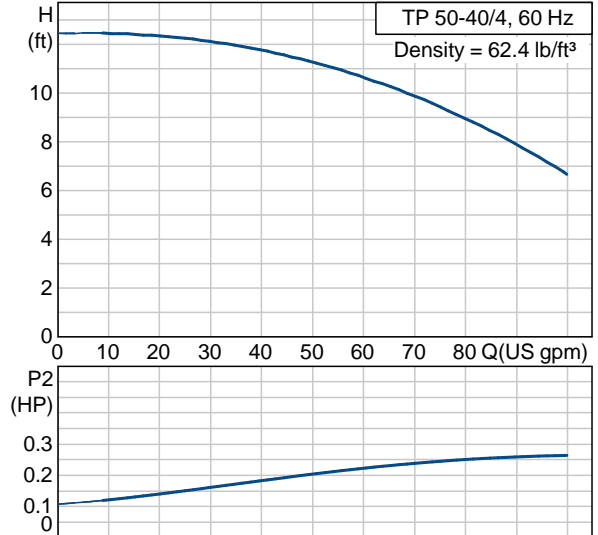
Position	Count	Description	Unit price
	-1	<p><b>TP 50-40/4 U-G-A-BUBE</b></p>  <p>Product photo could vary from the actual product</p> <p>Product No.: 96411806 Single-stage centrifugal in-line single-head pump.</p> <p>The in-line design with opposite suction and discharge ports enables mounting in pipework or on a concrete foundation.</p> <p>The shaft seal is a corrosion-resistant maintenance-free mechanical seal.</p> <p>The motor is a 1-phase AC motor.</p> <p><b>Liquid:</b> Liquid temperature range: 5 .. 284 °F Density: 62.4 lb/ft³</p> <p><b>Technical:</b> Speed for pump data: 1760 rpm Rated flow: 70.4 US gpm Rated head: 10.2 ft Shaft seal: BUBE Maximum operating pressure: 145 psi Approvals on motor nameplate: UL Recognized Component, CSA</p> <p><b>Materials:</b> Pump housing: Cast iron EN-JL1040 ASTM 25 B Impeller: Stainless steel DIN W.-Nr. 1.4301 AISI 304</p> <p><b>Installation:</b> Maximum ambient temperature: 104 °F Maximum operating pressure: 145 psi Flange standard: USA Pipe connection: 2"</p> <p><b>Electrical data:</b></p>	On request



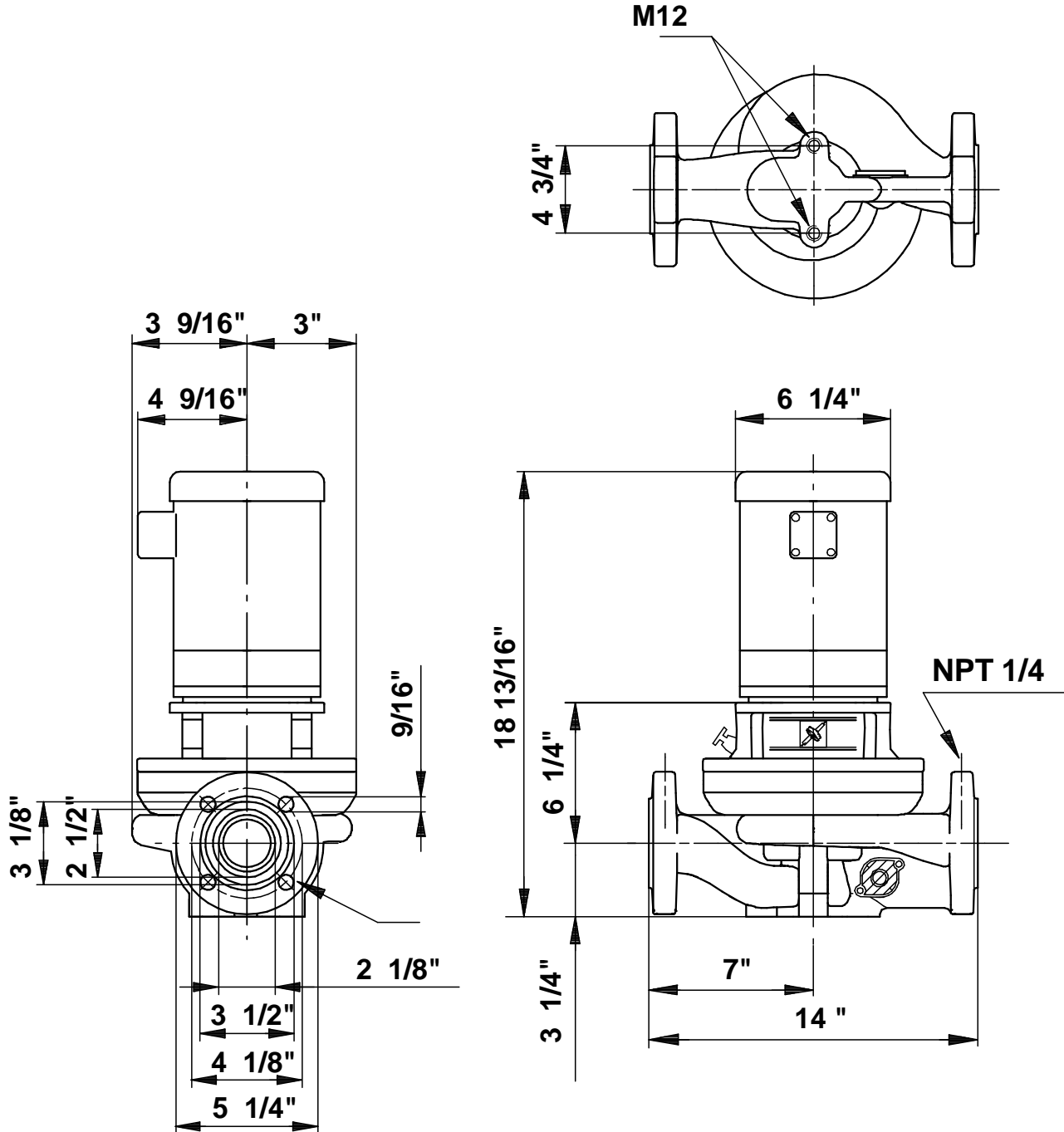
Company name: -  
 Created by: -  
 Phone: -  
 Fax: -  
 Date: -

Position	Count	Description	Unit price
		Motor type: Baldor, TEFC Number of poles: 4 Rated power - P2: 0.335 HP Main frequency: 60 Hz Rated voltage: 1 x 115/208-230 V Service factor: 1,35 Rated current: 6/3,2-3 A Starting current: 26/14,4-13 A Cos phi - power factor: 60 Rated speed: 1725 rpm Motor efficiency at full load: 60 % Insulation class (IEC 85): B  Others: Net weight: 61.3 lb Gross weight: 67.9 lb Shipping volume: 1.98 ft <sup>3</sup>	

Description	Value
Product name:	TP 50-40/4 U-G-A-BUBE U-G-A BUBE
Product Number:	96411806
EAN number:	5700390524463
<b>Technical:</b>	
Speed for pump data	1760 rpm
Rated flow:	70.4 US gpm
Rated head:	10.2 ft
Head max:	13.1 ft
Shaft seal:	BUBE
Maximum operating pressure	145 psi
Approvals on motor nameplate:	UL Recognized Component, CSA
Pump Number:	96405261
Pump version:	U
<b>Materials:</b>	
Pump housing:	Cast iron EN-JL1040 ASTM 25 B
Impeller:	Stainless steel DIN W.-Nr. 1.4301 AISI 304
Material code:	A
<b>Installation:</b>	
Maximum ambient temperature:	104 °F
Maximum operating pressure	145 psi
Flange standard:	USA
Connect code:	G
Pipe connection:	2"
<b>Liquid:</b>	
Liquid temperature range	5 .. 284 °F
Density:	62.4 lb/ft <sup>3</sup>
<b>Electrical data:</b>	
Motor type:	Baldor, TEFC
Number of poles:	4
Rated power - P2:	0.335 HP
KVA code:	L
Main frequency:	60 Hz
Rated voltage:	1 x 115/208-230 V
Service factor:	1,35
Rated current:	6/3,2-3 A
Starting current	26/14,4-13 A
Load current:	6,8/3,6-3,4 A
Cos phi - power factor:	60
Rated speed:	1725 rpm
Motor efficiency at full load:	60 %
Insulation class (IEC 85):	B
Motor protection:	CONTACT
Thermal protec:	internal
Motor Number:	84654601
<b>Others:</b>	
Net weight:	61.3 lb
Gross weight:	67.9 lb
Shipping volume:	1.98 ft <sup>3</sup>
Country code:	Namreg



96411806 TP 50-40/4 60 Hz



Note! All units are in [mm] unless others are stated.  
 Disclaimer: This simplified dimensional drawing does not show all details.