
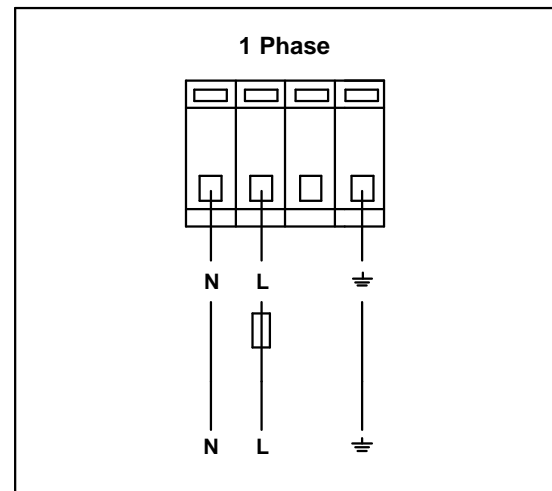
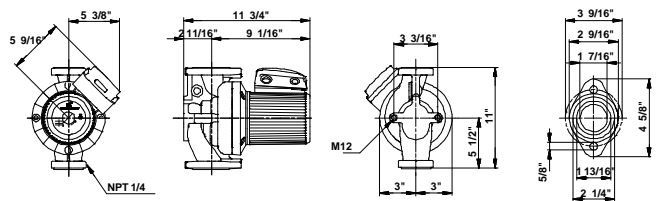
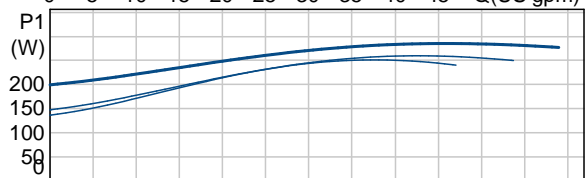
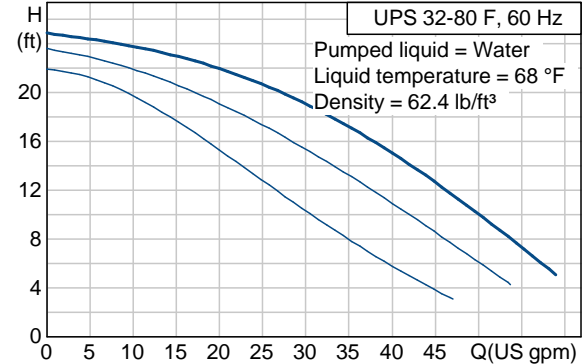




Position	Count	Description	Unit price
	-1	<p data-bbox="354 342 479 363">UPS 32-80</p> <div data-bbox="354 369 732 703" style="border: 1px solid black; text-align: center;">  </div> <p data-bbox="737 676 1230 697">Product photo could vary from the actual product</p> <p data-bbox="354 735 885 871">Product No.: 96402708 The pump is of the canned rotor type, i.e. pump and motor form an integral unit without shaft seal and with only two gaskets for sealing. The bearings are lubricated by the pumped liquid.</p> <p data-bbox="354 907 868 987">In order to avoid problems in connection with disposal, great importance has been attached to using as few different materials as possible.</p> <p data-bbox="354 1018 698 1045">The pump is characterized by:</p> <ul data-bbox="389 1050 836 1270" style="list-style-type: none"> * 3-speed motor. * Ceramic radial bearings. * Carbon axial bearing. * Stainless steel rotor can, bearing plate and rotor cladding. * Aluminium alloy stator housing. * Cast iron pump housing. * Stator with built-in thermal switch. <p data-bbox="354 1306 673 1333">The motor is a 1-phase motor.</p> <p data-bbox="354 1365 852 1474">The pump is supplied with a standard module in the terminal box. The standard module is to be connected to the mains supply via external contactor.</p> <p data-bbox="354 1507 462 1533">Controls:</p> <p data-bbox="354 1537 812 1564">Relay: with relay</p> <p data-bbox="354 1596 438 1621">Liquid:</p> <p data-bbox="354 1625 836 1652">Liquid temperature range: 14 .. 248 °F</p> <p data-bbox="354 1656 771 1684">Liquid temp: 68 °F</p> <p data-bbox="354 1715 479 1740">Technical:</p> <p data-bbox="354 1745 852 1772">Actual calculated flow: 28.1 US gpm</p> <p data-bbox="354 1776 787 1803">Resulting head of the pump: 19.8 ft</p> <p data-bbox="354 1808 795 1835">Maximum operating pressure: 145 psi</p> <p data-bbox="354 1839 763 1866">Approvals on nameplate: CUL</p>	On request

Position	Count	Description	Unit price
		<p>Materials:</p> <p>Pump housing: Cast iron EN-JL1040</p> <p>Impeller: ASTM 35 B - 40 B Stainless steel DIN W.-Nr. 1.4301 AISI 304</p> <p>Installation:</p> <p>Range of ambient temperature: 32 .. 104 °F Maximum operating pressure: 145 psi Flange standard: USA Oval Type of connection: F Pipe connection: 32 Pressure stage: 145 psi Port-to-port length: 11" mm</p> <p>Electrical data:</p> <p>Power input in speed 1: 250 W Power input in speed 2: 260 W Max. power input: 280 W Main frequency: 60 Hz Rated voltage: 1 x 115 V Current in speed 1: 2.5 A Current in speed 2: 2.5 A Current in speed 3: 2.66 A Cos phi in speed 1: 0,87 Cos phi in speed 2: 0,9 Cos phi: 0,92 Capacitor size - run: 30 µF/400 V Enclosure class (IEC 34-5): X4D Insulation class (IEC 85): F</p> <p>Others:</p> <p>Net weight: 35.9 lb Gross weight: 43.4 lb Shipping volume: 2.08 ft³</p>	

Description	Value
Product name:	UPS 32-80 F
Product Number:	96402708
EAN number:	5700390678401
Technical:	
Speed Number:	3
Actual calculated flow:	28.1 US gpm
Resulting head of the pump:	19.8 ft
Head max:	26.2 ft
Maximum operating pressure:	145 psi
Approvals on nameplate:	CUL
Model:	C
Materials:	
Pump housing:	Cast iron EN-JL1040 ASTM 35 B - 40 B
Impeller:	Stainless steel DIN W.-Nr. 1.4301 AISI 304
Installation:	
Range of ambient temperature:	32 .. 104 °F
Maximum operating pressure:	145 psi
Flange standard:	USA Oval
Type of connection:	F
Pipe connection:	32
Pressure stage:	145 psi
Port-to-port length:	11" mm
Liquid:	
Liquid temperature range:	14 .. 248 °F
Liquid temp:	68 °F
Electrical data:	
Power input in speed 1:	250 W
Power input in speed 2:	260 W
Max. power input:	280 W
Main frequency:	60 Hz
Rated voltage:	1 x 115 V
Current in speed 1:	2.5 A
Current in speed 2:	2.5 A
Current in speed 3:	2.66 A
Cos phi in speed 1:	0,87
Cos phi in speed 2:	0,9
Cos phi:	0,92
Capacitor size - run:	30 µF/400 V
Enclosure class (IEC 34-5):	X4D
Insulation class (IEC 85):	F
Motor protection:	CONTACT
Thermal protec:	internal
R a:	9.55 - 12.6 ohm
R s1:	3.05 - 4.0 ohm
R s2:	6.7 - 8.8 ohm
Controls:	
Relay:	with relay
Pos term box:	1.30H
Others:	
Net weight:	35.9 lb



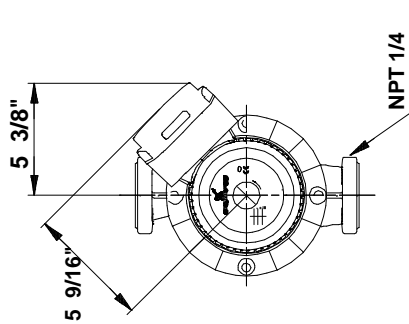
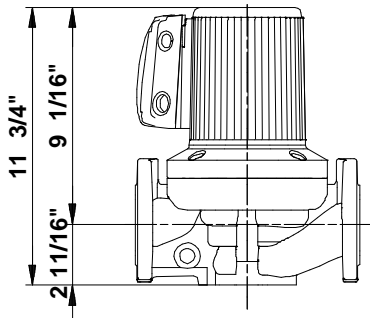
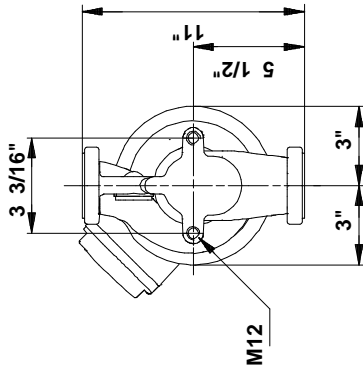
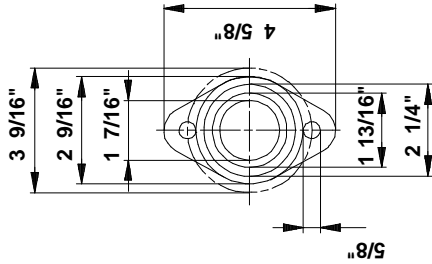


Company name: -
Created by: -
Phone: -
Fax: -
Date: -

Description	Value
Gross weight:	43.4 lb
Shipping volume:	2.08 ft ³
Sales region:	Namreg



96402708 UPS 32-80 F 60 Hz



Note! All units are in [mm] unless others are stated.
 Disclaimer: This simplified dimensional drawing does not show all details.