
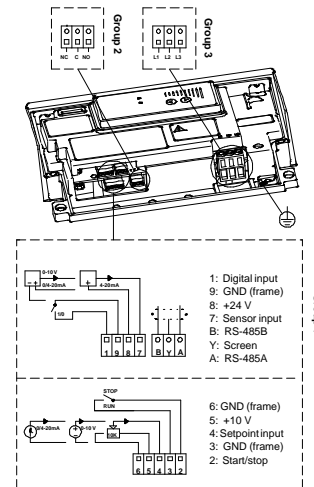
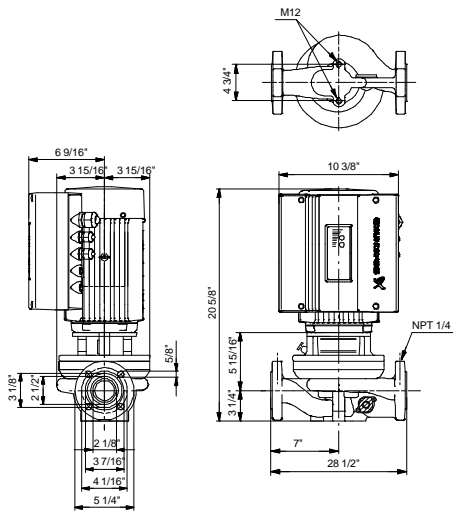
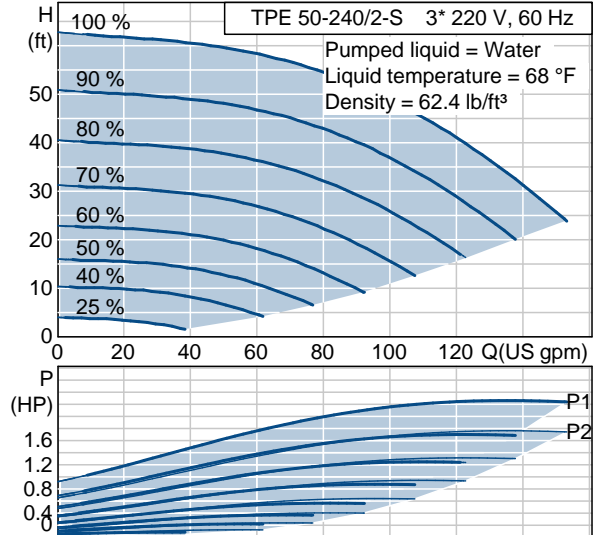




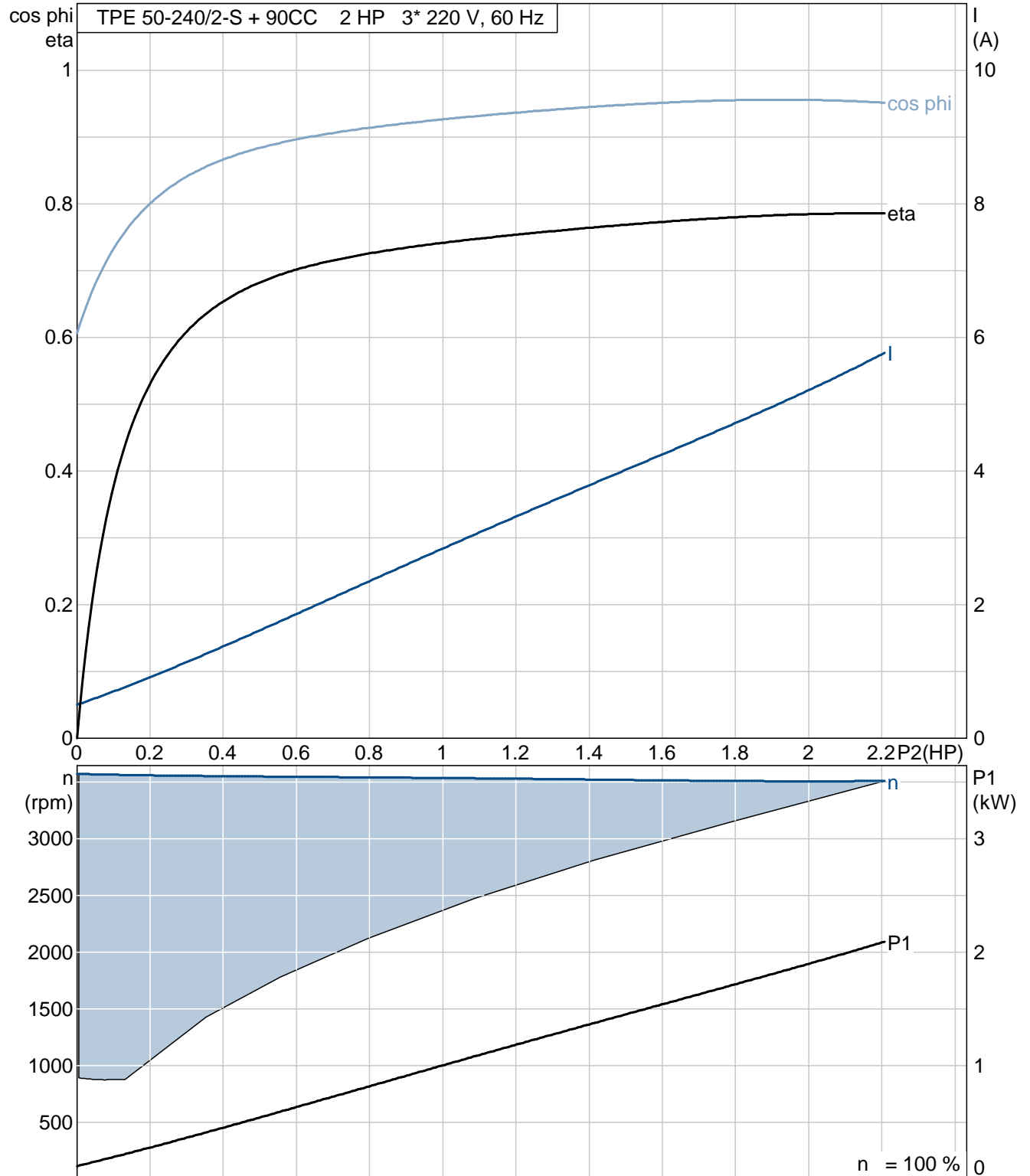
Position	Count	Description	Unit price
	-1	<p data-bbox="354 340 690 367">TPE 50-240/2-S U-G-A-BUBE</p> <div data-bbox="354 369 730 793" style="border: 1px solid black; text-align: center;">  </div> <p data-bbox="738 766 1234 793">Product photo could vary from the actual product</p> <p data-bbox="354 823 836 907">Product No.: 91136585 Single-stage, centrifugal, in-line, single-head pump.</p> <p data-bbox="354 934 876 1018">The in-line design with opposite suction and discharge ports enables mounting in pipework or on a concrete foundation.</p> <p data-bbox="354 1050 755 1102">The shaft seal is a corrosion resistant maintenance-free mechanical seal.</p> <p data-bbox="354 1134 885 1302">The pump is fitted with a three-phase MLE motor with frequency converter and PI-controller integrated in the motor terminal box. No additional motor protection is required as both motor and electronics are protected by integrated overload and temperature protection.</p> <p data-bbox="354 1333 852 1449">A differential pressure transmitter fitted on the pump registers the differential pressure across the pump and enables constant pressure or proportional pressure control of the pump.</p> <p data-bbox="354 1480 885 1585">A control panel enables setting of required setpoint as well as setting of pump to MIN or MAX operation or to STOP. The control panel has indicator lights for "Operation" and "Fault".</p> <p data-bbox="354 1617 909 1753">Communication with the pump is possible by means of Grundfos R100 Remote Control enabling further settings as well as reading out of a number of parameters such as "Actual value", "Speed", "Power input" and total "Power consumption".</p> <p data-bbox="354 1785 852 1879">The terminal box holds terminals for the connection of : - Pump start/stop (potential-free contact),</p>	On request

Position	Count	Description	Unit price
		<ul style="list-style-type: none"> - external remote setpoint setting via analog signal, 0 - 5 V, 0 - 10 V, 0(4) - 20 mA, - 5 V voltage supply for setpoint potentiometer, I_{max} = 5 mA, - differential pressure sensor factory-fitted, - input for forced control to MIN or MAX (potential-free contact), - potential-free fault signal relay with changeover contact, - RS485 GENIbus. <p>Liquid: Liquid temperature range: 5 .. 284 °F Liquid temp: 68 °F</p> <p>Technical: Actual calculated flow: 96.9 US gpm Resulting head of the pump: 48.2 ft Shaft seal: BUBE Maximum operating pressure: 145 psi</p> <p>Materials: Pump housing: Cast iron EN-JL1040 ASTM 25 B Impeller: Stainless steel DIN W.-Nr. 1.4301 AISI 304</p> <p>Installation: Maximum ambient temperature: 104 °F Maximum operating pressure: 145 psi Flange standard: US Pipe connection: 2" Pressure stage: 125 psi Flange size for motor: 56C</p> <p>Electrical data: Motor type: 90CC Number of poles: 2 Rated power - P2: 2 HP Main frequency: 60 Hz Rated voltage: 3 x 208-230 V Rated current: 5.75 A Cos phi - power factor: 0.95 Rated speed: 3460 rpm Enclosure class (IEC 34-5): 55 Insulation class (IEC 85): F</p> <p>Others: Gross weight: 104 lb</p>	

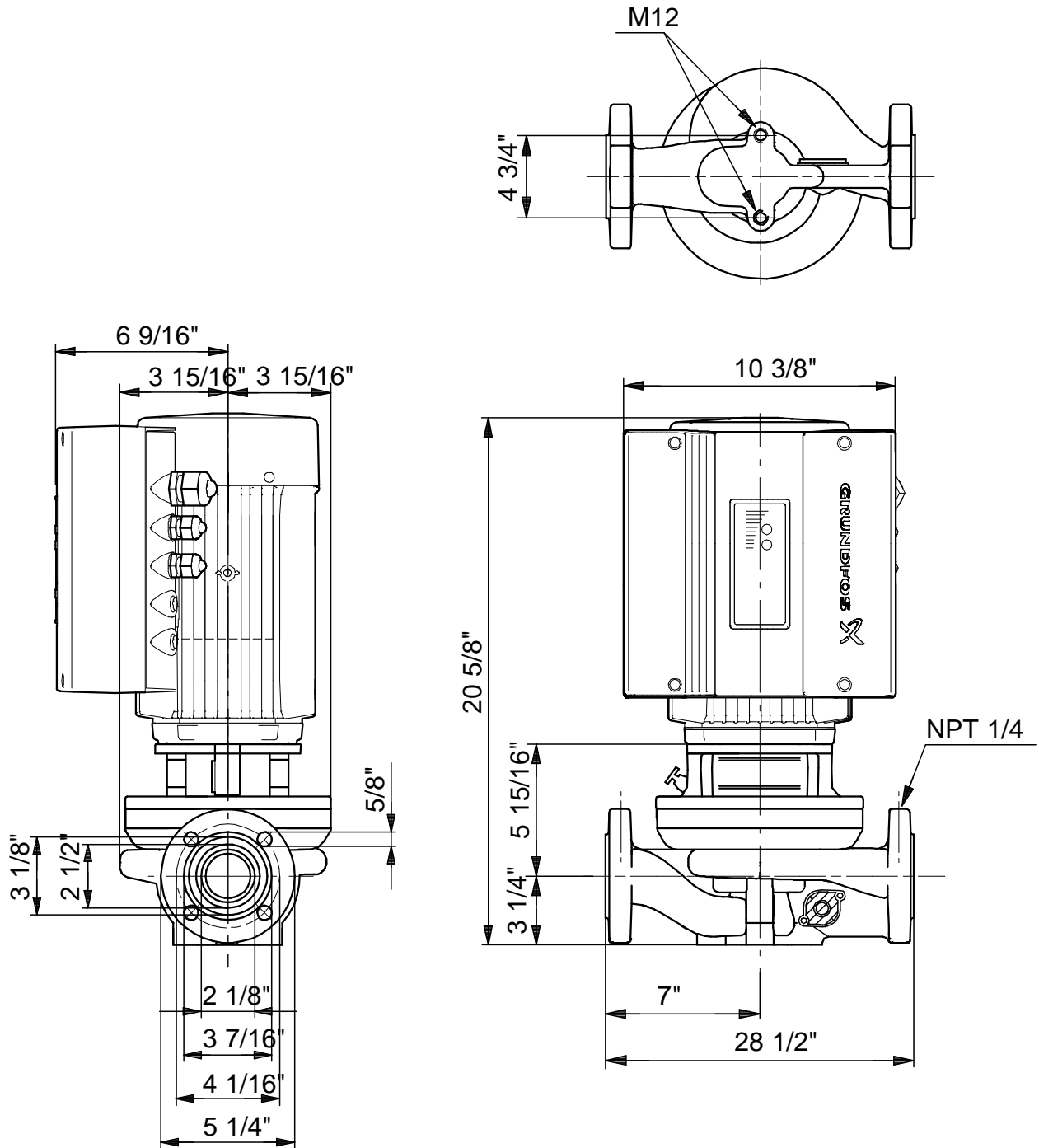
Description	Value
Product name:	TPE 50-240/2-S U-G-A-BUBE U-G-A BUBE
Product Number:	91136585
EAN number:	5700838116861
Technical:	
Actual calculated flow:	96.9 US gpm
Resulting head of the pump:	48.2 ft
Head max:	78.7 ft
Shaft seal:	BUBE
Maximum operating pressure:	145 psi
Pump Number:	96405267
Pump version:	U
Materials:	
Pump housing:	Cast iron EN-JL1040 ASTM 25 B
Impeller:	Stainless steel DIN W.-Nr. 1.4301 AISI 304
Material code:	A
Installation:	
Maximum ambient temperature:	104 °F
Maximum operating pressure:	145 psi
Flange standard:	US
Connect code:	G
Pipe connection:	2"
Pressure stage:	125 psi
Flange size for motor:	56C
Liquid:	
Liquid temperature range:	5 .. 284 °F
Liquid temp:	68 °F
Electrical data:	
Motor type:	90CC
Number of poles:	2
Rated power - P2:	2 HP
Main frequency:	60 Hz
Rated voltage:	3 x 208-230 V
Rated current:	5.75 A
Cos phi - power factor:	0.95
Rated speed:	3460 rpm
Enclosure class (IEC 34-5):	55
Insulation class (IEC 85):	F
Motor protection:	NONE
Motor Number:	85900823
Others:	
Gross weight:	104 lb
Config. file no:	97845519



91136585 TPE 50-240/2-S 60 Hz

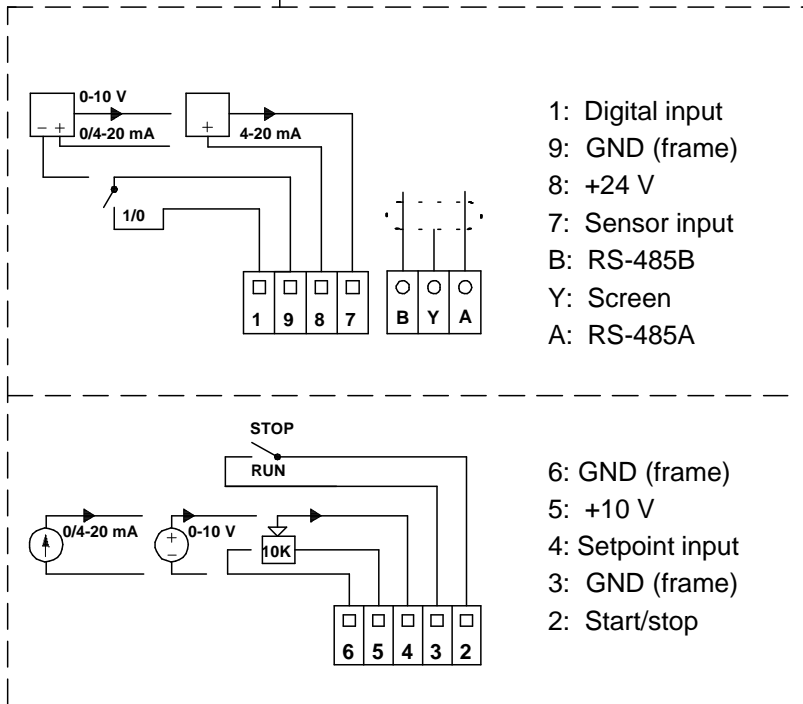
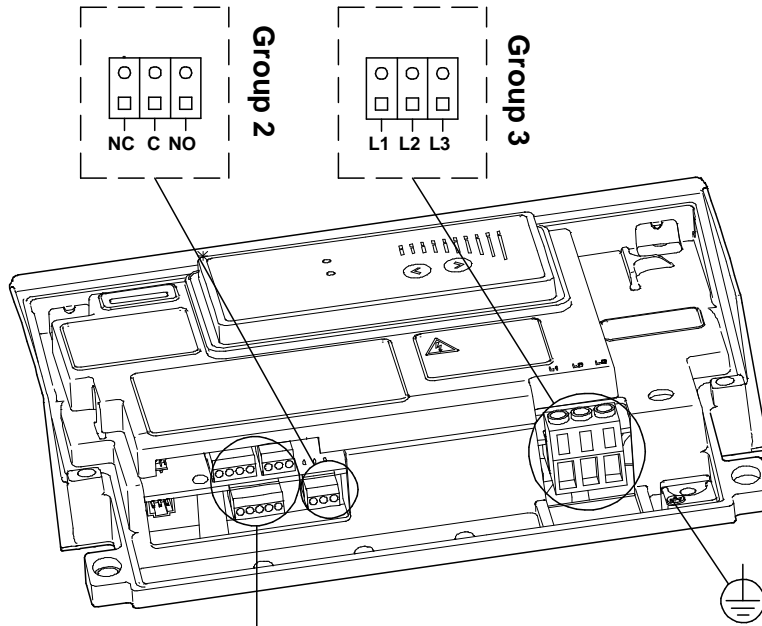


91136585 TPE 50-240/2-S 60 Hz



Note! All units are in [mm] unless others are stated.
Disclaimer: This simplified dimensional drawing does not show all details.

91136585 TPE 50-240/2-S 60 Hz



All units are [mm] unless otherwise presented.