

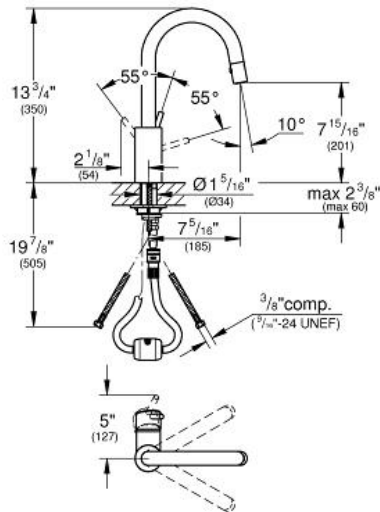
# CONCETTO Single-Handle Kitchen Faucet

MODEL # 31479000

GROHE America, Inc | 200 North Gary Avenue, Suite G, Roselle, IL 60172  
Phone: +1 (800) 444-7643 | Fax: +1 (800) 225-2778 | us-customerservice@grohe.com

*Pure Freude an Wasser*

**GROHE**



## Product Description: Single-Handle Kitchen Faucet

### Standard Specification:

- For prep sinks
- **GROHE SilkMove** 35 mm ceramic cartridge
- Adjustable flow rate limiter
- Swivel Spout
- Swivel area 360°
- Protected against backflow
- Stainless steel flex lines
- Quick installation system

### Color:

- 31479000 chrome