

UP200 concealed cistern, top/front actuation

Year of manufacture 2006-

109.201.00.1

109.202.00.1

109.210.00.1

Model name:

UP200

Assembly group:

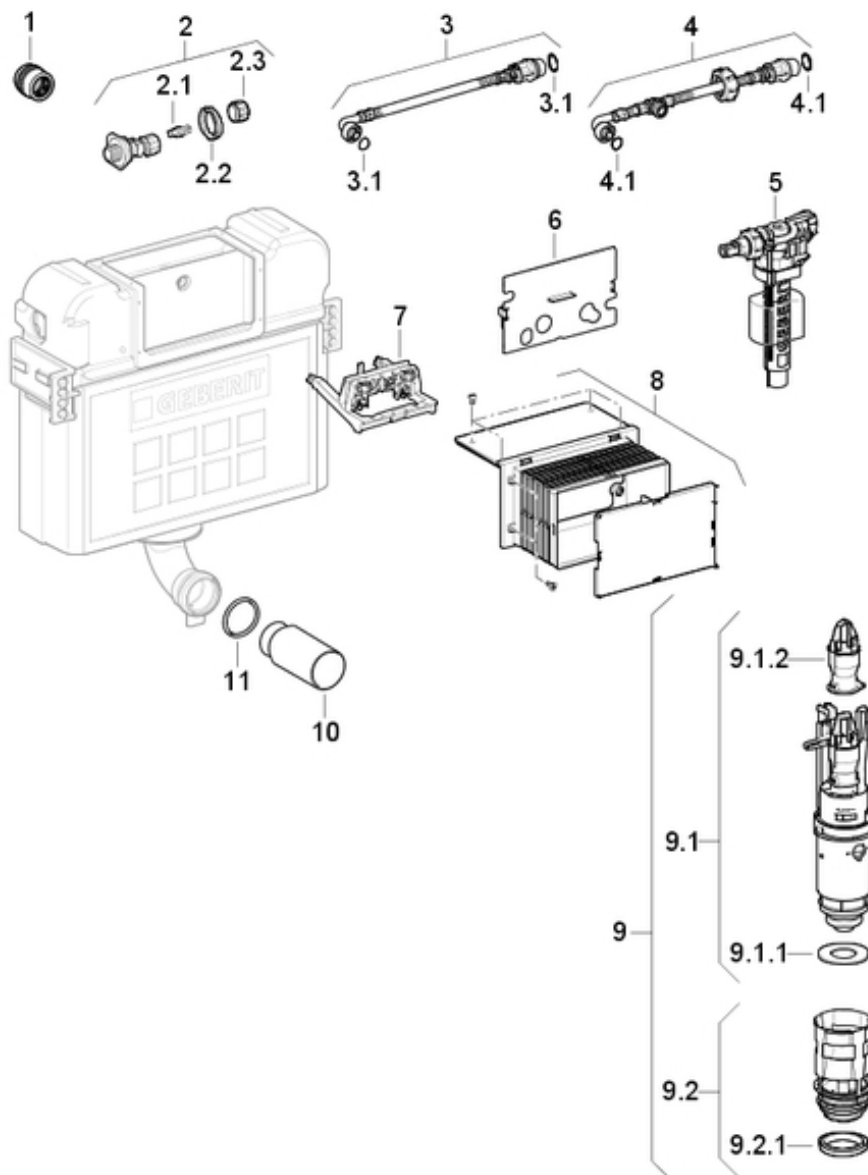
Dimension / Design:

Service opening: 18 x 11 cm, cistern: 40.5 x 35 cm

PA number:

-

-



Pos.	Description	Article no.	Comment
1	Mepla fix adapter nut 20x1/2"	632.001.00.1	
2	Isolation Valve UP200 Complete	240.269.00.1	
2	Water supply connection with integrated angle stop valve UP200	240.847.00.1	
2.1	Spindle for angle stop valve UP 200	240.298.00.1	
2.2	Locknut for new angle stop valve	240.623.00.1	
2.2	Counter nut	241.857.00.1	
2.3	Knob for Isolation Valve UP200	240.347.00.1	
3	Reinforced hose for UP200	240.629.00.1	
3	Pz hose for artline	240.817.00.1	
3.1	set of seals for connection hose	240.922.00.1	
4	Reinforced braided hose for UP	240.839.00.1	
4	Hose for UP200/Balena 8000	241.819.00.1	
4.1	set of seals for connection hose	240.922.00.1	
5	Filling valve unifil	240.719.00.1	
5	Replacement filling valve Impuls380 for concealed cistern.	240.705.00.1	
5	Unifill A	240.715.00.1	
5	Unifill	240.784.00.1	
5	Impuls380 FV NL/F	240.714.00.1	
5	Impuls380 filling valve for exposed cistern	240.717.00.1	
5	Impuls380 filling valve with lateral connection		> more spare parts
6	Protection cover for concealed cistern front/top operated	240.206.00.1	
7	Support bloc	240.533.00.1	
8	Protection covers	240.172.00.1	
9	Flush valve with basket	240.637.00.1	
9.1	Flush Valve UP200 Complete	240.638.00.1	
9.1.1	Gasket for Flush Mechanism dia. 63x32mm	816.418.00.1	
9.1.2	flush valve shackle	241.167.00.1	
9.2	Flushing system complete with basket	241.859.00.1	
9.2.1	Section seal	241.868.00.1	For basket 241.859.00.1
9.2.1	Profile packing to replacement bassin	240.282.00.1	For basket 241.859.00.1
10	Protection plug for socket	362.796.92.1	
11	o-ring for flushpipe concealed cistern, dia. 50mm	362.771.00.1	

> Artline and Kappaline actuator plates, top/front actuation