

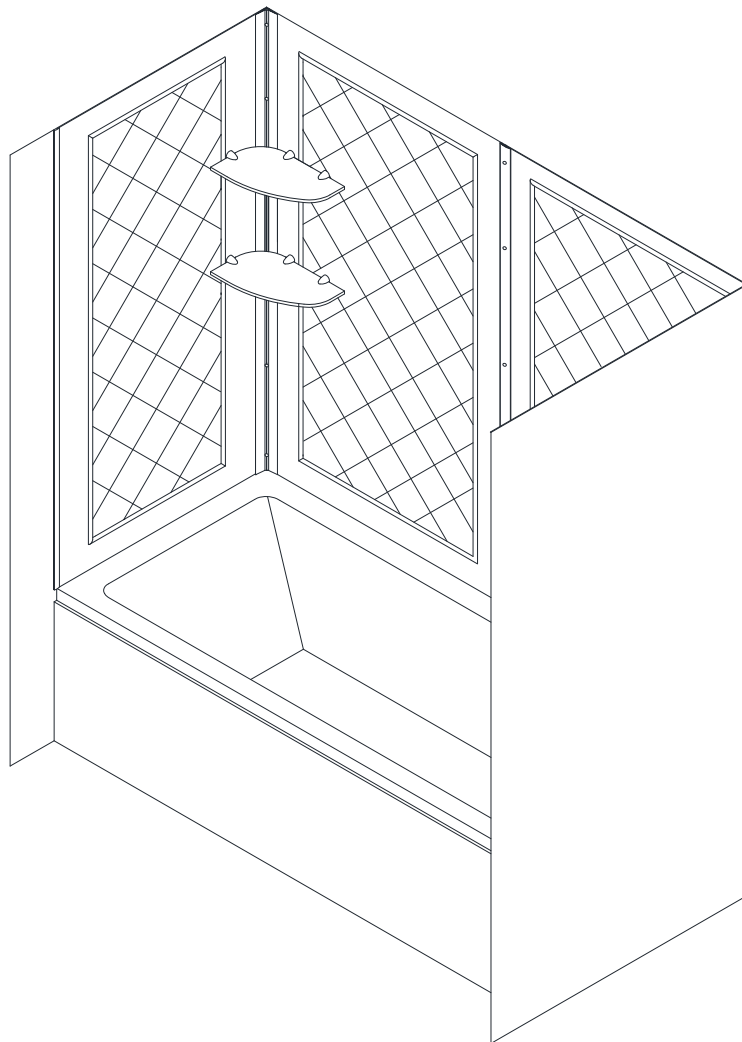


## QWALL TUB

### TUB ACRYLIC BACK WALL INSTALLATION INSTRUCTIONS

#### **IMPORTANT**

DreamLine™ reserves the right to alter, modify or redesign products at any time without prior notice. For the latest up-to-date technical drawings, manuals or any other details please refer to the [support.BathAuthority.com](http://support.BathAuthority.com) web page.



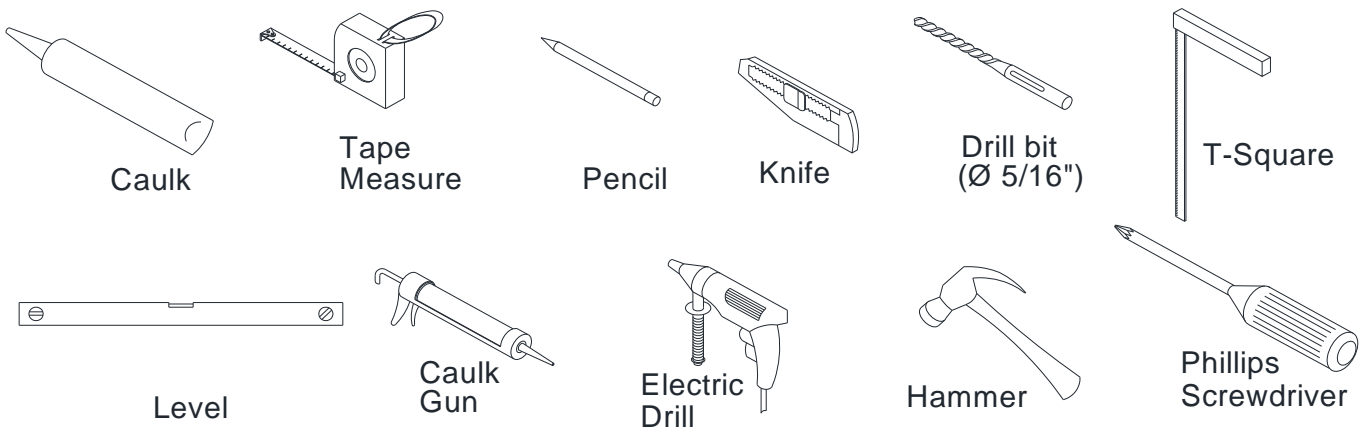
Please carefully read the instructions before installing. If you have any questions regarding installation, please call our technical support specialists Monday through Friday 9:00 AM – 5:00 PM EST at 1-866-731-8378, ext. 3 or e-mail our technical support group at [support@BathAuthority.com](mailto:support@BathAuthority.com).

For more information on [DreamLine™ Tub Back Wall](http://www.BathAuthority.com) please visit [www.BathAuthority.com](http://www.BathAuthority.com)

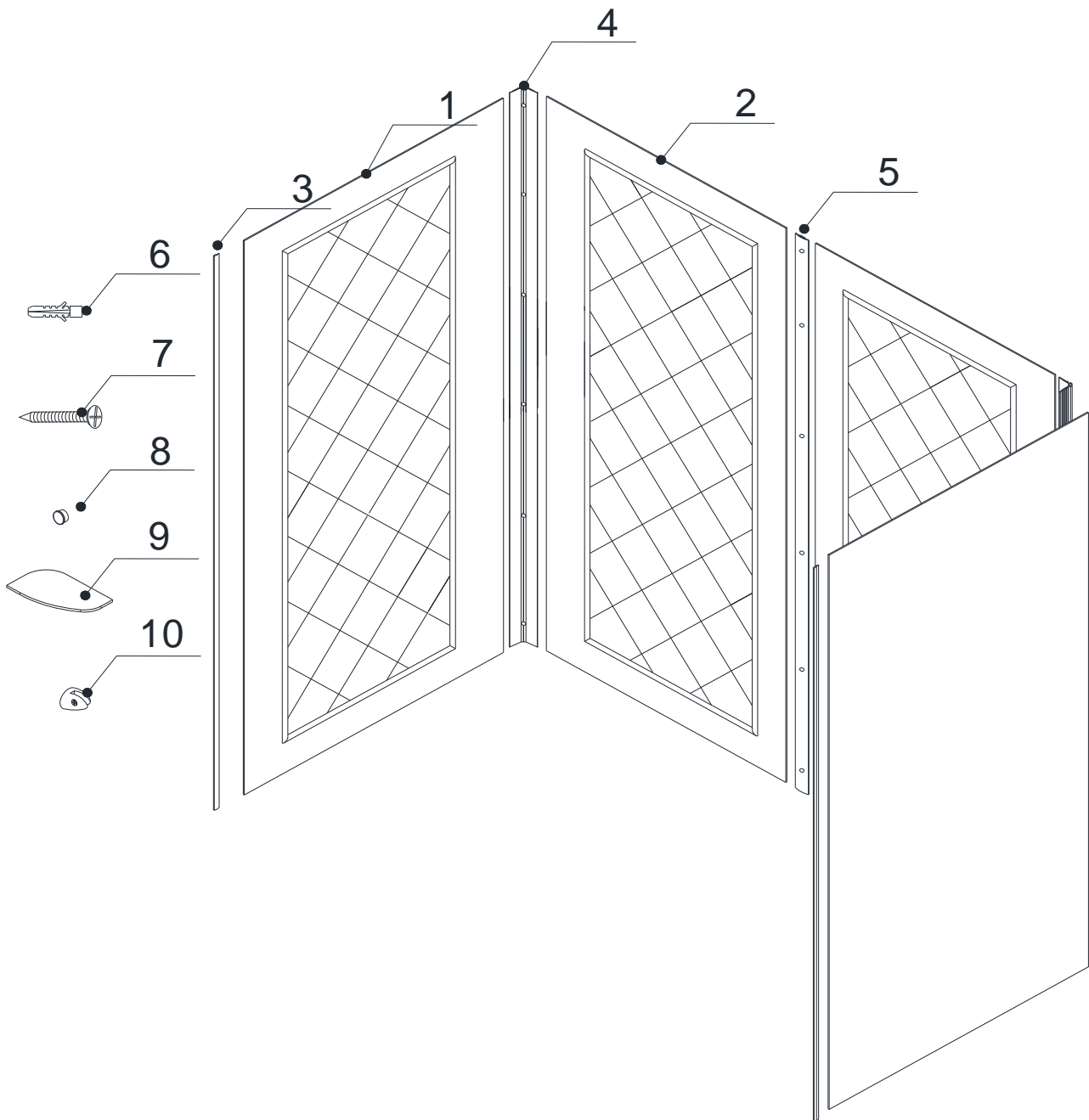
## Preparation

1. After opening all boxes and packages, read this introduction carefully. Check that all of the needed parts are included in the package, by marking all the components on the "Detailed Diagram of Tub Back Wall Components". Examine boxes and packages for shipping damage. If the unit has been damaged, has a finishing defect, or has missing parts, please contact our customer support department within 3 business days of the delivery date. Please note that **DreamLine™ will not replace any damaged products or missing parts free of charge after 3 business days or if the product has been installed.** Feel free to contact DreamLine™ if you have any questions.
2. **Please note that you should consult your local building codes with questions on installation compliance standards. Building and plumbing codes may vary by location, and DreamLine is not responsible for code compliance standards for your project.**
3. This acrylic wall system is specially designed to be installed over any solid surface. If you are installing the acrylic walls over the existing tiles, remove all loose tiles before the installation. If you are installing over the existing painted walls, take all loose paint off. Please, note that some cutting and drilling might be necessary during the installation process.
4. Make sure to turn off the water supply, remove faucet, handles or any fixture trims protruding from the wall. Clean the surface removing soap film and dirt from all wall surfaces using regular household detergent, then wipe it dry.

## Tools Required



## Detailed Diagram of Tub Back Wall Components



### **Packing List**

01	Side panel	2pcs	06	Wall anchor	21pcs
02	Back panel	2pcs	07	Countersunk screw ST4.2×30	21pcs
03	Decorative edge molding	2pcs	08	Decorative cover	15pcs
04	Corner cover	2pcs	09	Glass shelf	2pcs
05	Wall cover	1pc	10	Shelf bracket	6pcs

**NOTE:** Unpack your unit carefully and inspect it. Lay it out and identify all parts using the detailed diagram and packing list in your manual as a reference. Before discarding the carton, check for small hardware bags that tend to fall to the bottom of the box. If any parts are damaged or missing, please contact DreamLine™ for replacement.

## Back Panel Installation Instruction

1. Measure the distance of the back wall of the tub (corner to corner)  
The distance is "**W**"

See Fig. 1 for details.

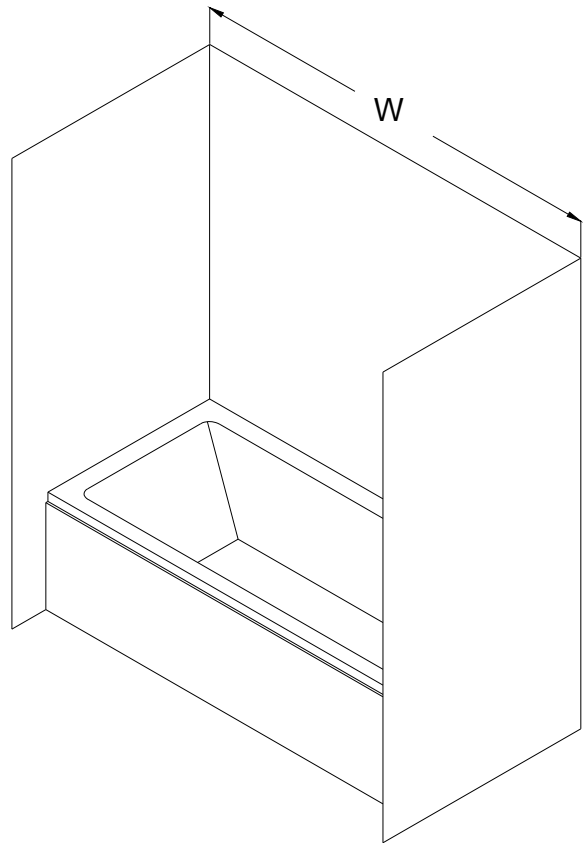


Fig. 1

2. Divide the **W** measurement by 2 (**W/2**). Place a mark on the back wall and draw a vertical line from top to bottom.

See Fig. 2 for details.

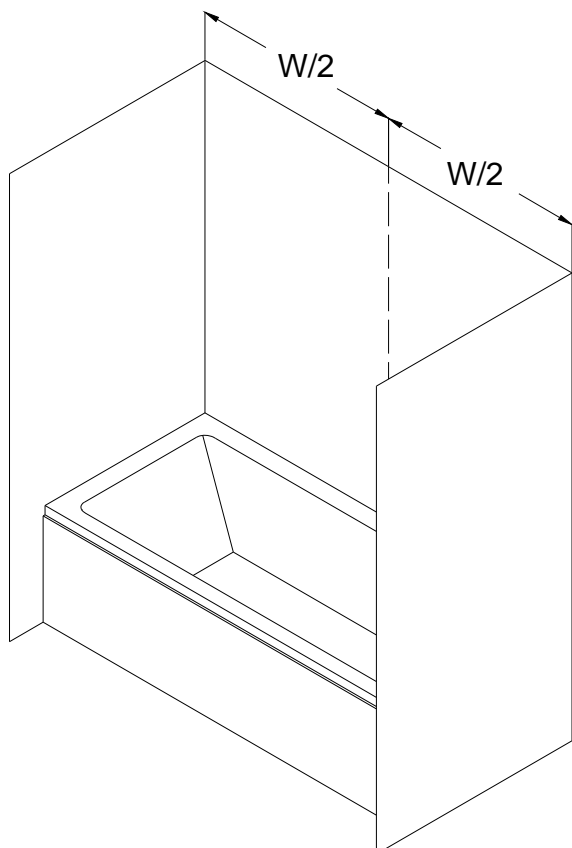


Fig. 2

3. Measure the side walls from the corner to the front point where the **Side panel (01)** is going to end. This distance is "**D**".

See Fig. 3 for details.

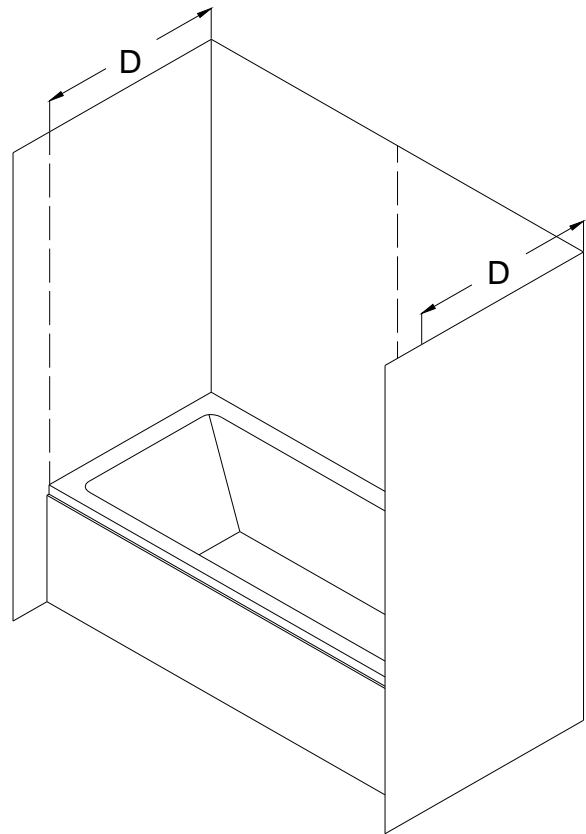


Fig. 3

4. Verify on which side of your tub wall the fixtures will be installed. Place a mark on the side wall (**NB: not the side panel!**) with a distance of **1" (one inch)** from the corner and draw a vertical line from top to bottom.

Take the exact measurements:

- from the fixture to the line: **(A, B, C)**
- from the fixture to the bottom: **(E, F).**

See Fig. 4 and Fig. 5 for details.

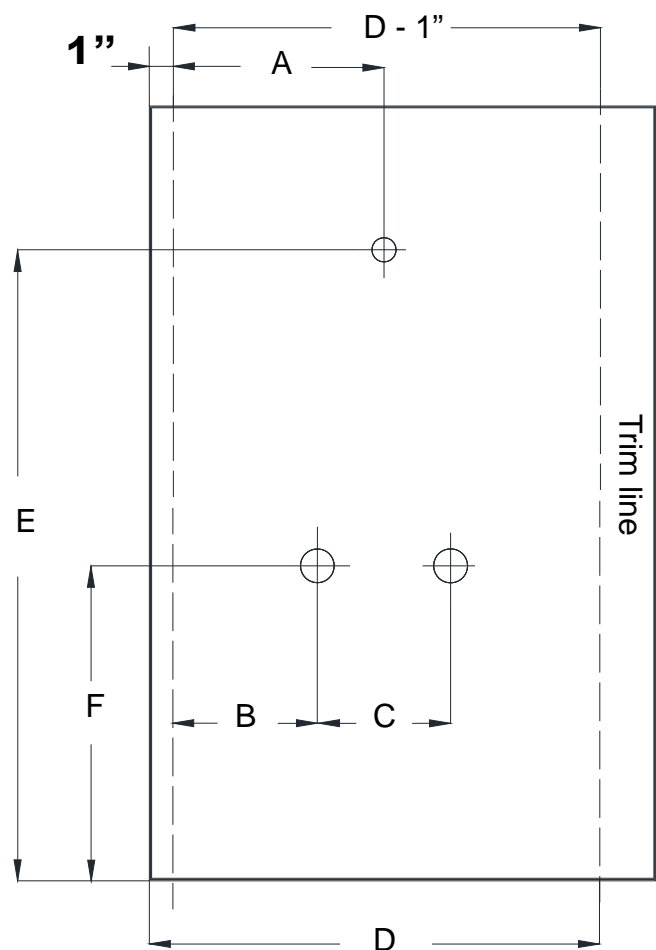


Fig. 4

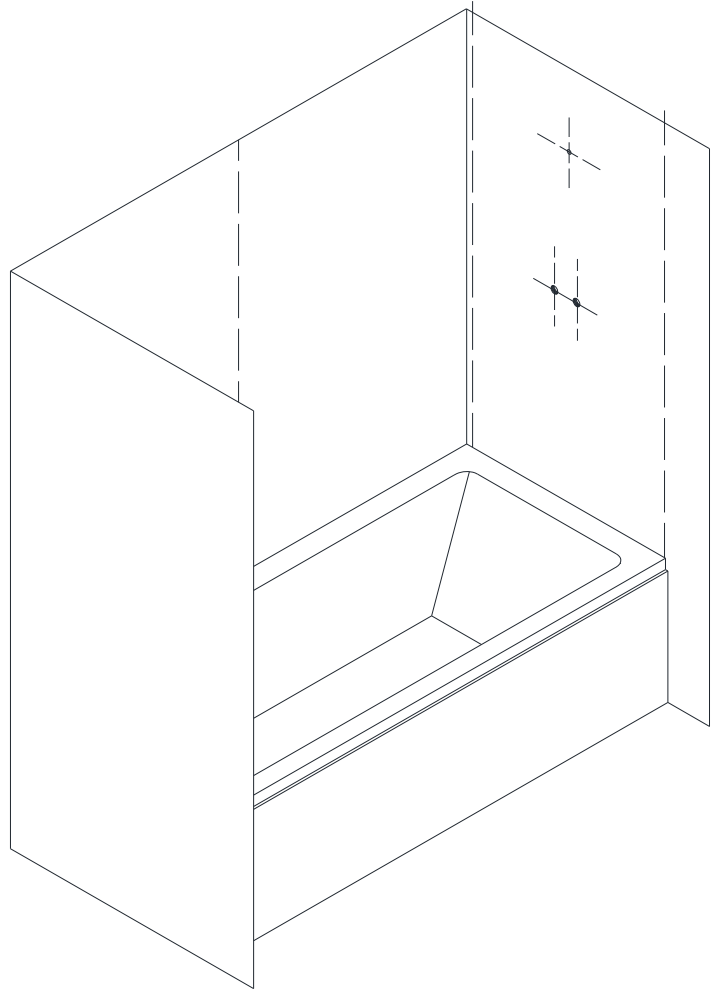


Fig. 5

5. Attach the **Center cover (05)** vertically at the center point along the line and mark the drilling holes through the predrilled holes on the **Center cover**.

Drill the holes using **Ø5/16"** drill bit and insert the **Wall Anchors (06)**.

See Fig. 6 and Fig. 7 for details.

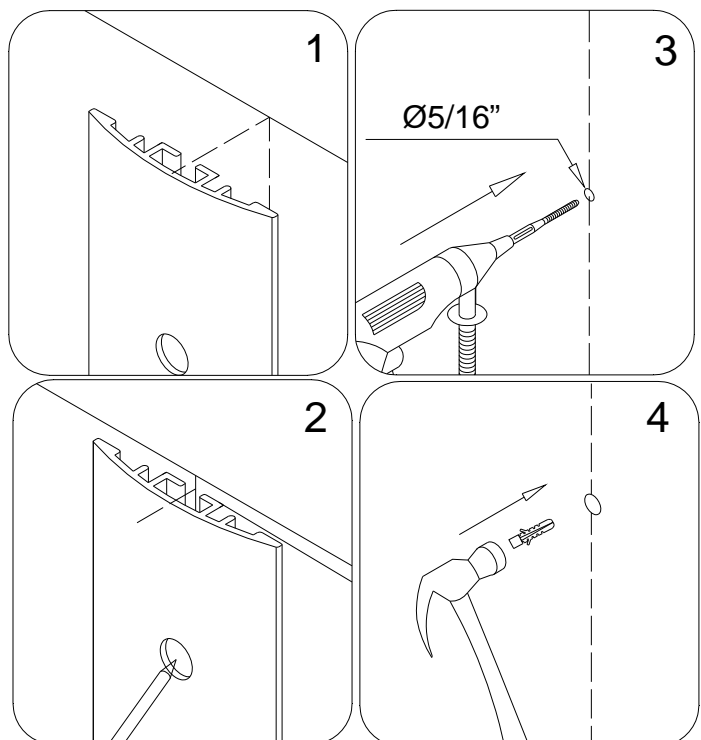


Fig. 6

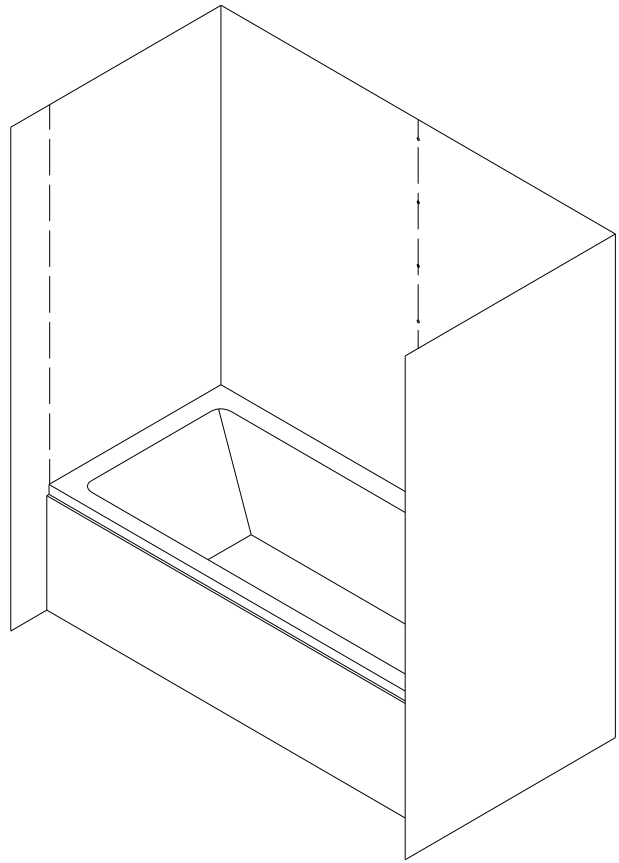


Fig. 7

6. Attach the **Corner cover (04)** to the corner of the wall and mark the drilling holes through the predrilled holes on the **Corner cover**. Drill the holes using **Ø5/16"** drill bit and insert the **Wall Anchors (06)**.

See Fig. 8 and Fig. 9 for details

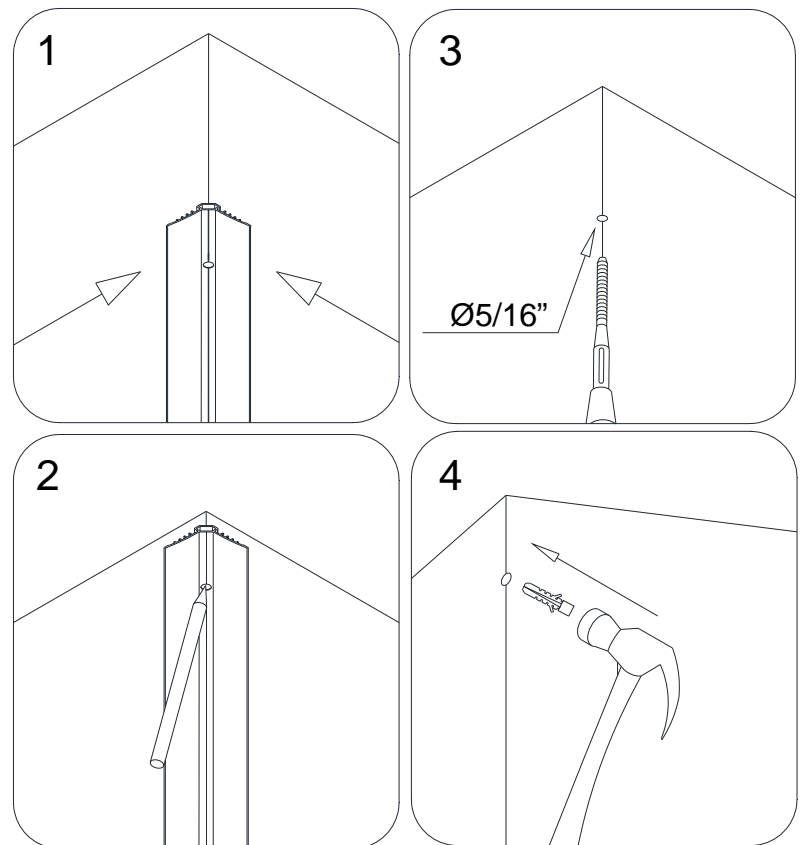


Fig. 8

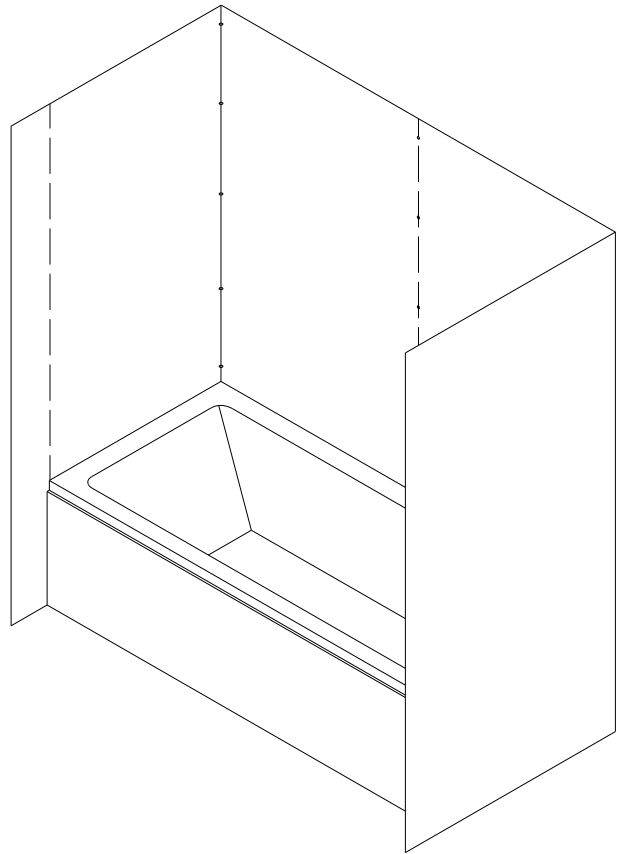


Fig. 9

7. Determine the position of both **Back panels (02)**.

**NOTE:**

- a) Narrow side of the **Back panel** cannot be trimmed and should face the center of the Back wall.
- b) Wide side of the **Back panel** can be trimmed to the size of the wall and should face the corner.

Place a mark on the wide side of the **Back panel** with a distance of **(W/2 - 1")** from the center edge of the **Back panel** to the wide side of the **Back panel** and draw a straight line from top to bottom.

See Fig. 10 for details.

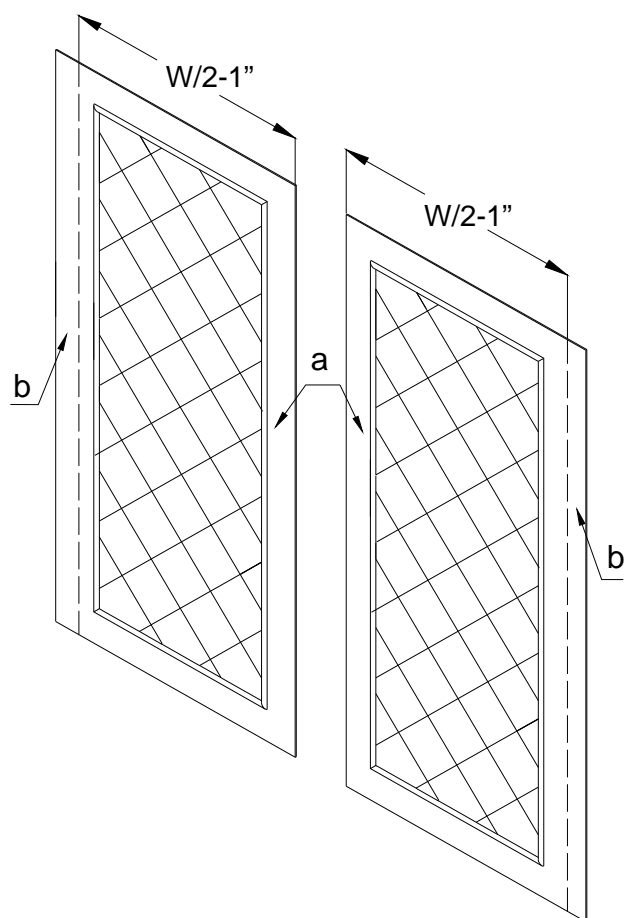


Fig. 10



8. Place the **Back panel (02)** on a flat piece of plywood or a particle board. Cut the side end of the **Back panel** by making a few deep scratches with a sharp industrial knife using a T-Square tool or a handheld jig saw.

See Fig. 11 and Fig. 12 for details.

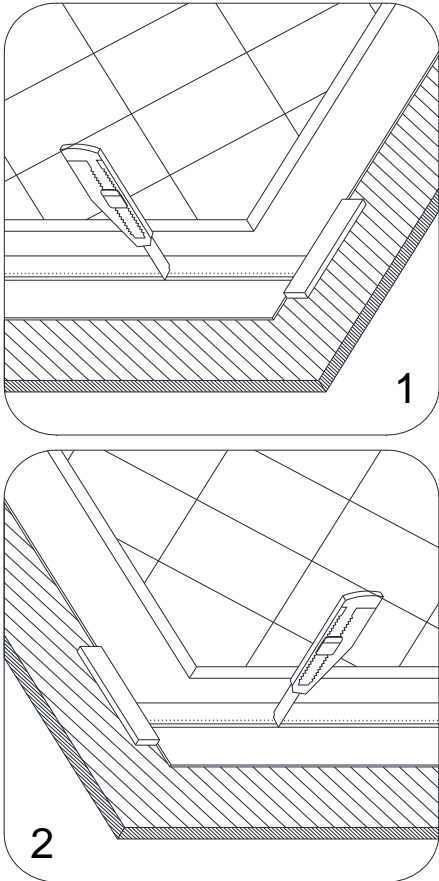


Fig. 11

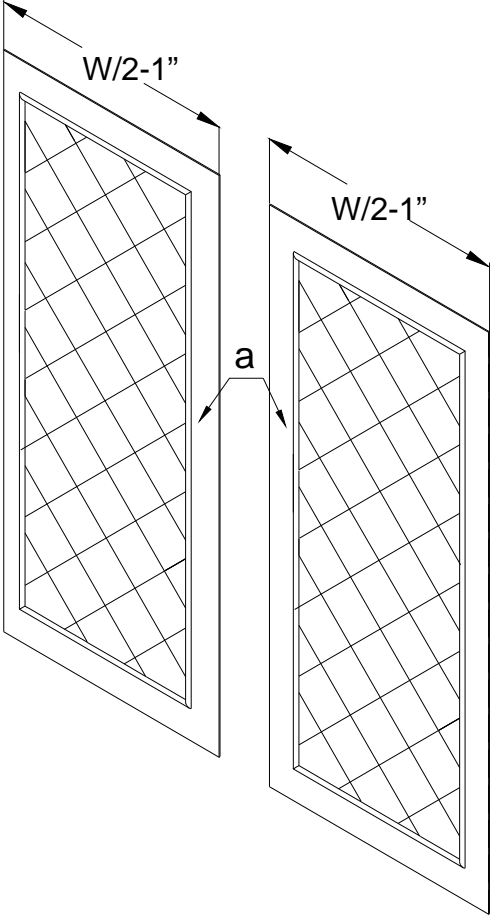


Fig. 12

9. Mount the **Center cover (05)** to the center of the back wall using the **Countersunk screws ST4.2×30 (07)**. Do not tighten the screws. Leave the **Center cover** loose on the wall.

See Fig. 13 for details.

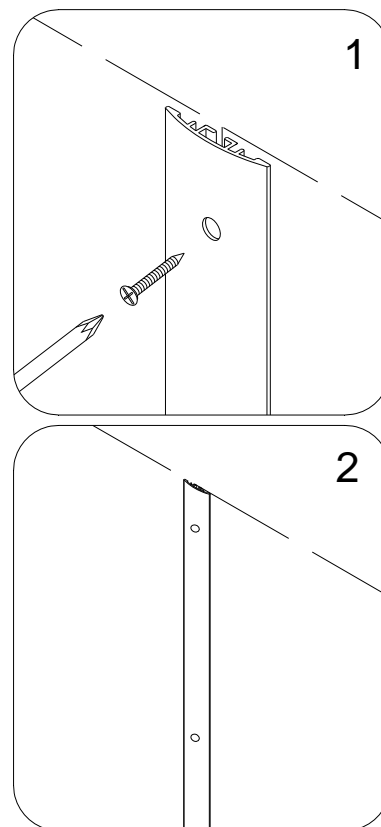


Fig. 13

10. Apply the sealant to the back of the left **Back panel (02)**.

See Fig. 14 for details.

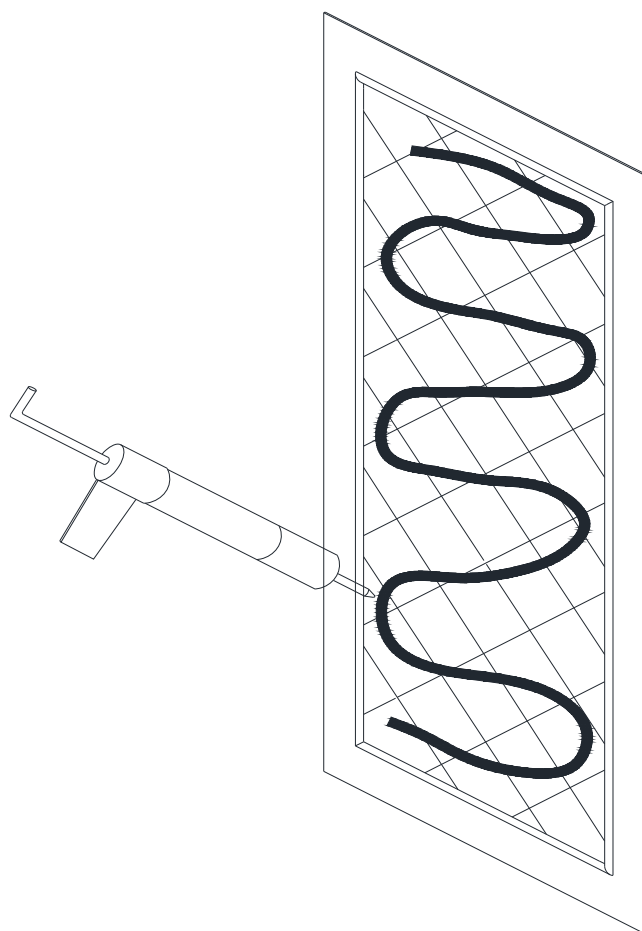


Fig. 14

11. Slide the right edge of the left **Back panel (02)** all the way behind the **Center cover (05)** and push the **Back panel** against the wall.

You can adjust the position of the **Back panel** before the sealant sets.

Apply equal pressure to the whole surface of the **Back panel** from top to bottom.

Fasten the **Corner cover (04)** to the left corner of the back wall using the **Countersunk screws ST4.2×30 (07)**. Do not tighten the screws.

See Fig. 15 for details.

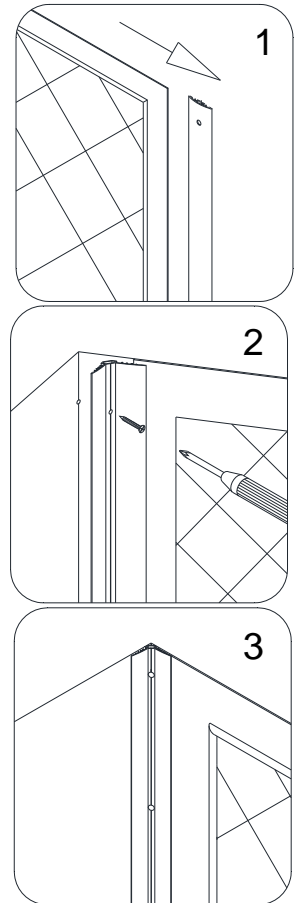


Fig. 15

12. Repeat Step 10 and Step 11 to install the right **Back panel (02)** to the right side of the back wall.

See Fig. 16 for details.

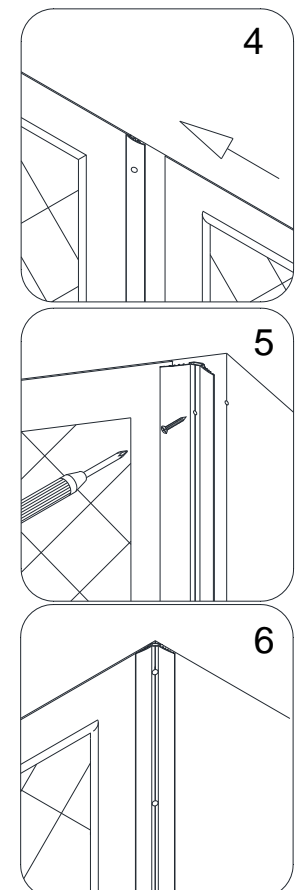


Fig. 16

13. Align both **Back panels** at the top and tighten the screws on the **Center cover (05)** to secure this assembly in place.

See Fig. 17 and Fig. 18 for details.

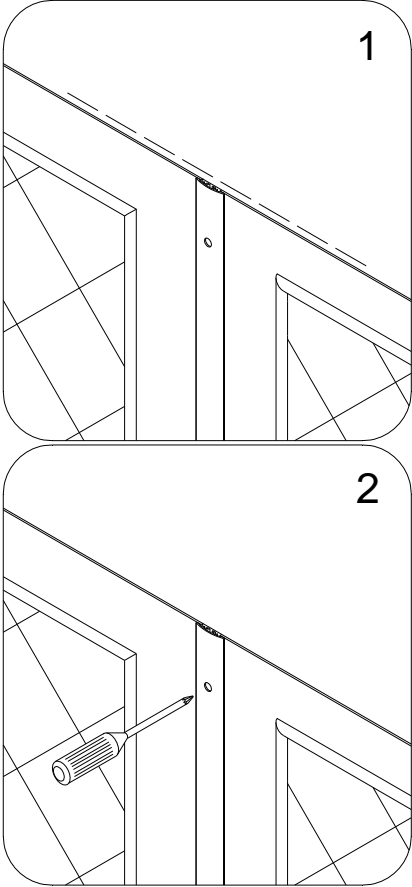


Fig. 17

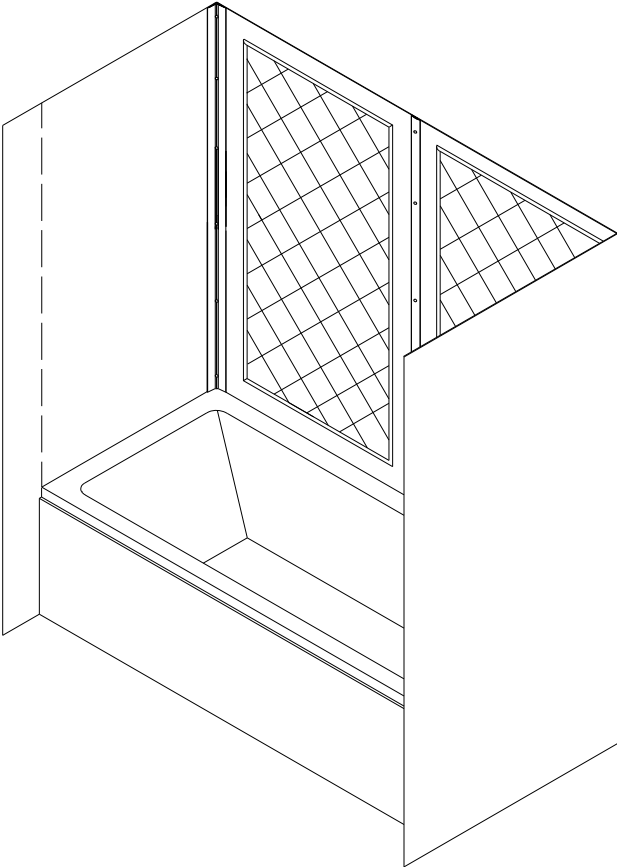


Fig. 18

14. Determine the position of both **Side panels (01)**.

**NOTE:**

- a) Narrow side of the **Side panel** cannot be trimmed and should face the corner of the side wall.
- b) Wide side of the **Side panel** can be trimmed to size of your measurements and should face the front of the tub.

Place a mark on the wide side of the **Side panel** with a distance of **D – 1"** from the corner side of the **Side panel** to the front edge and draw a straight line from top to bottom.

See Fig. 19 for details.

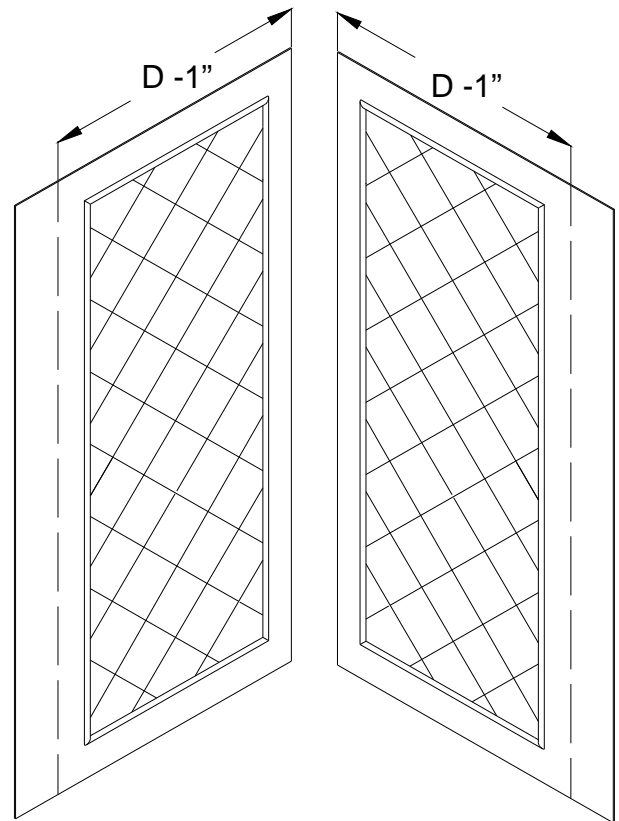


Fig. 19

15. Place the **Side panel (01)** on a flat piece of plywood or a particle board. Cut the side end of the **Side panel** by making a few deep scratches with a sharp industrial knife using a T-Square tool or a handheld jig saw.

See Fig. 20 and Fig. 21 for details.

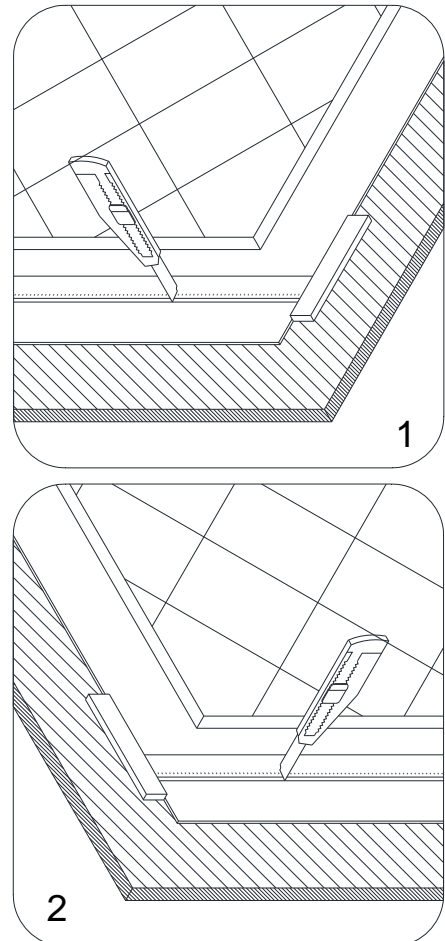


Fig. 20

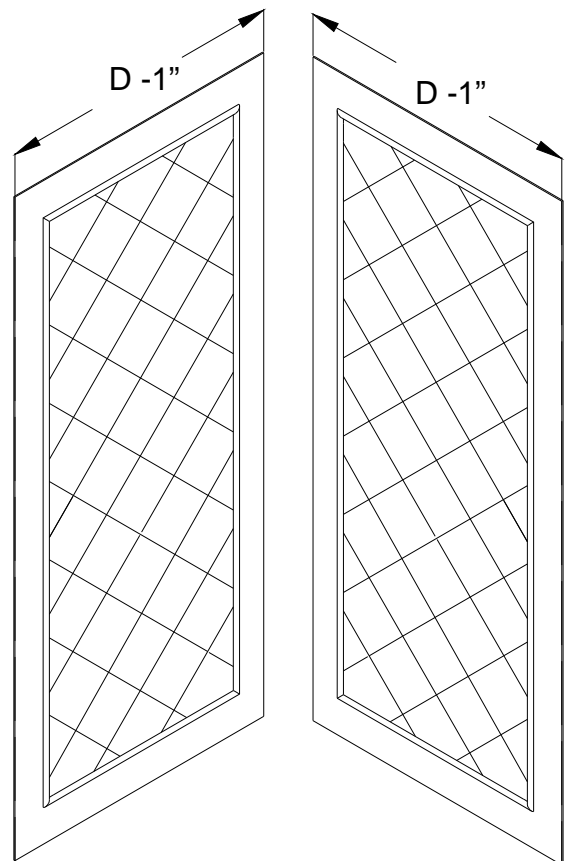


Fig. 21

16. Place the marks on the **Side panel (01)** which is going to the side wall with the fixtures according to the taken measurements in [Fig. 4](#).  
Drill the holes in the **Side panel**. Mind using the proper diameter saw bit or a handheld jig saw.

See Fig. 22 and Fig. 23 for details.

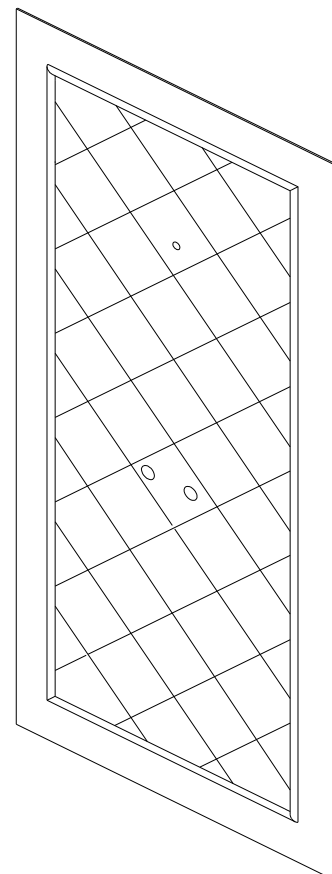


Fig. 22

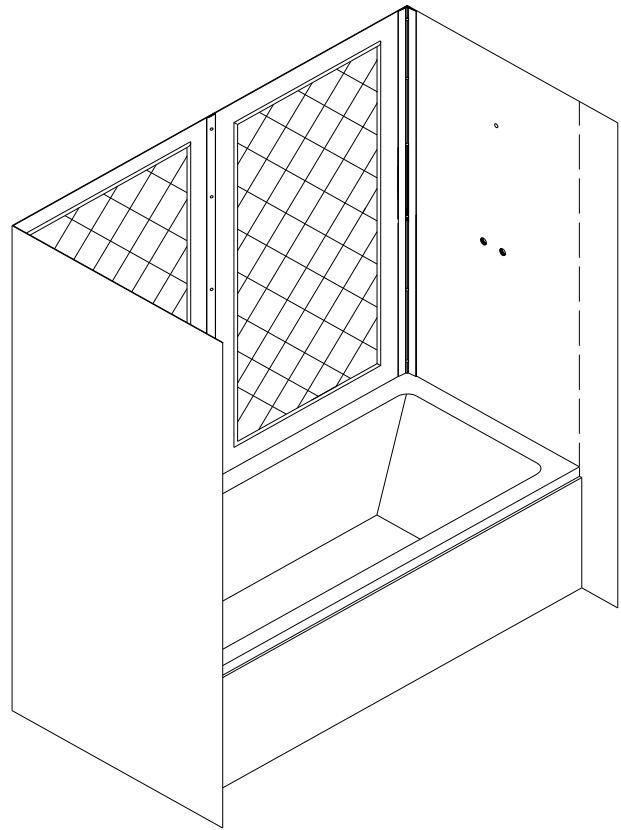


Fig. 23

17. Apply the sealant to the back surface of the **Side panel (01)**.  
Apply the sealant around the drilled holes and to the whole back side of the **Side panel**.

See Fig. 24 for details.

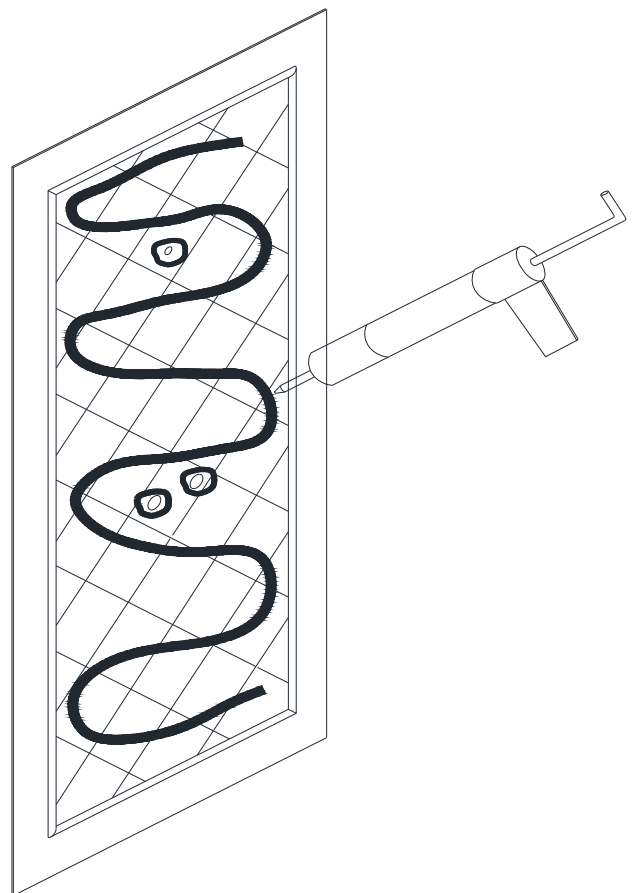


Fig. 24

18. Slide the edge of the **Side panel (01)** all the way behind the **Corner cover (04)** and push the **Side panel** against the wall.

Align the top of the **Side panel** with the **Back panel** before the sealant sets. Apply equal pressure to the whole surface of the **Side panel** from top to bottom.

Peel off the adhesive tape on the back side of the **Decorative edge molding (03)** and attach it to the front edge of the **Side panel**. Apply pressure to the **Decorative edge molding** from top to bottom.

See Fig. 25 for details.

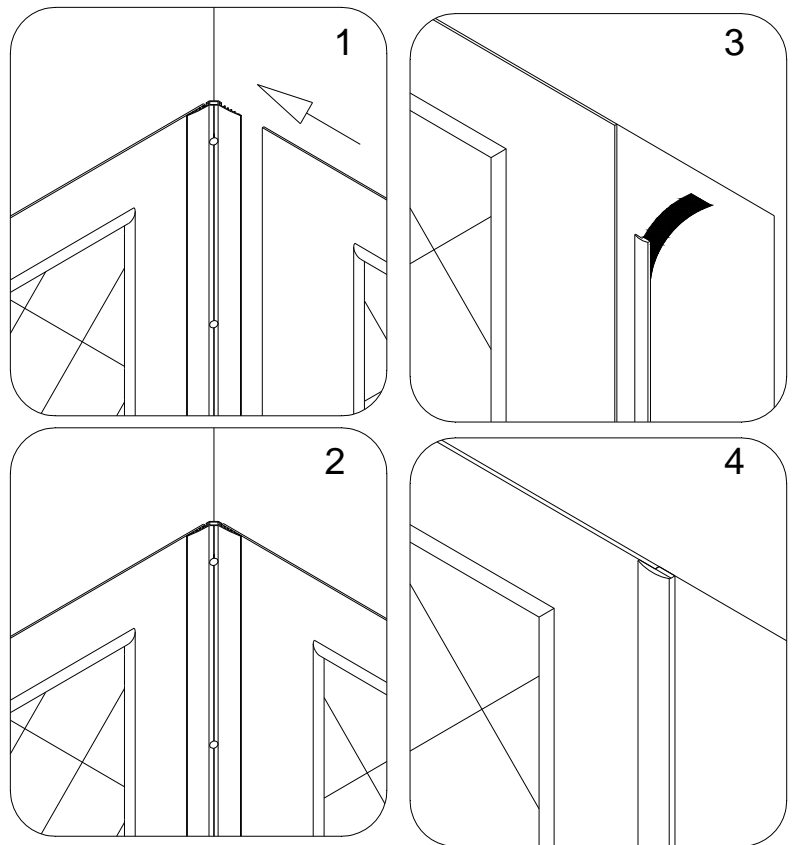


Fig. 25

**NOTICE:**

If you are installing a shower door with the wall profile, you can hide the edge of the **Side panel (01)** behind the wall profile.

See Fig. 26 for details.

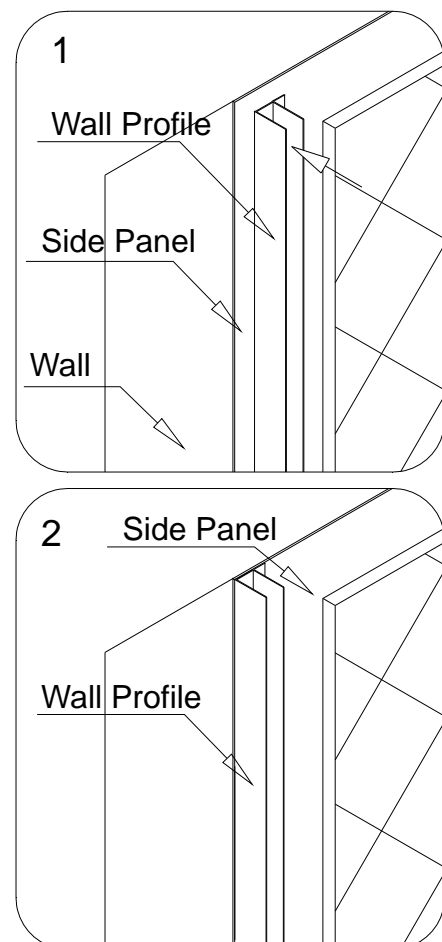


Fig. 26



19. Apply the sealant to the back surface of the **Side panel (01)** for another side wall installation.

See Fig. 27 for details.

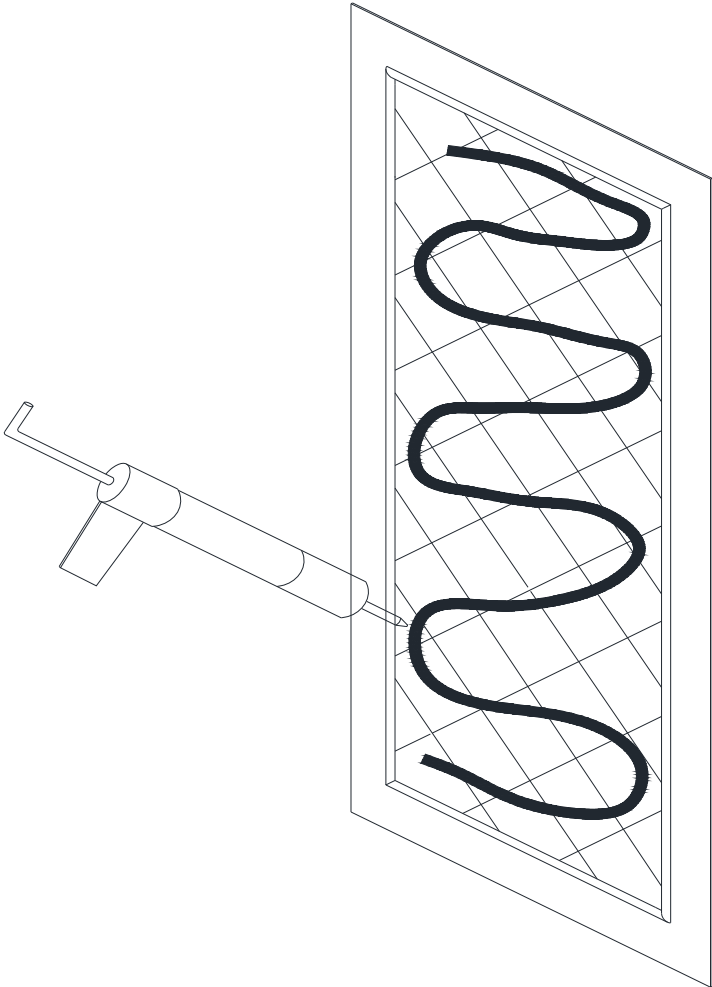


Fig. 27

20. Repeat Step 18 to install the second **Side panel**.

See Fig. 28 and Fig. 29 for details.

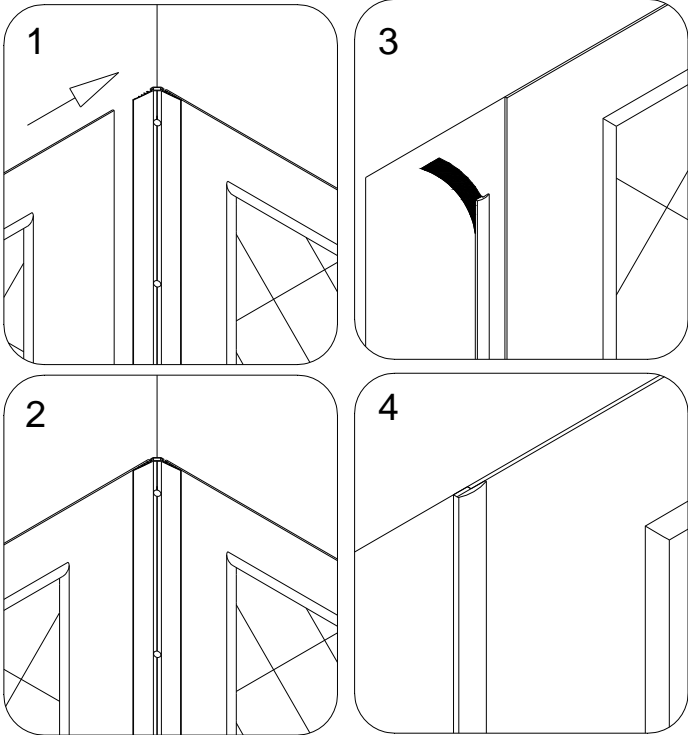


Fig. 28

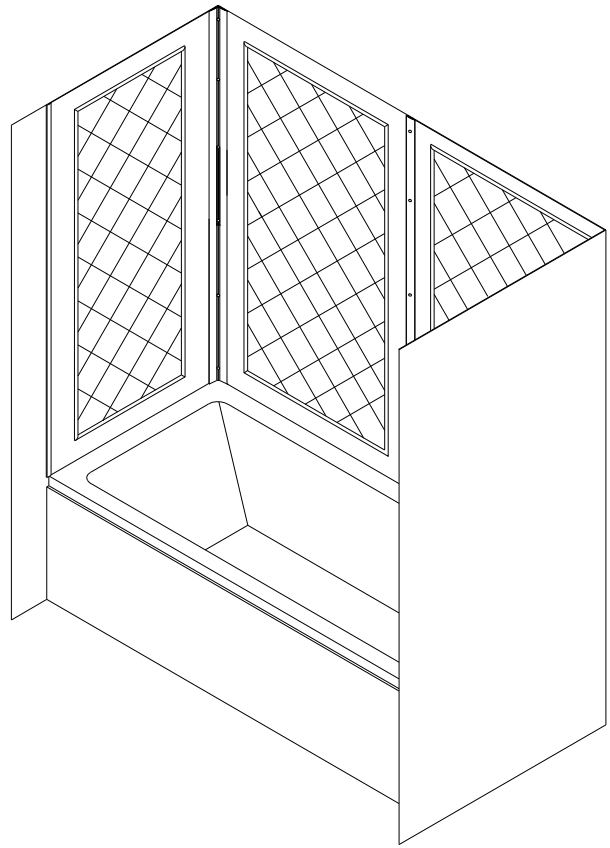


Fig. 29

21. Fasten tight the **Corner covers (04)** and the **Center cover (05)** to secure the **Side panels (01)** and the **Back panels (02)** in place.

See Fig. 28 for details.

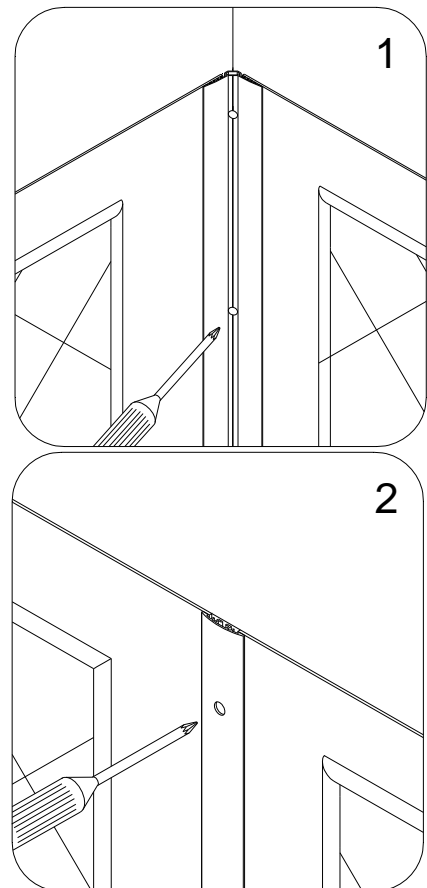


Fig. 28

22. Use decorative plugs to cover the screw holes in the **Corner covers (04)** and the **Center cover (05)**.

See Fig. 29 for details.

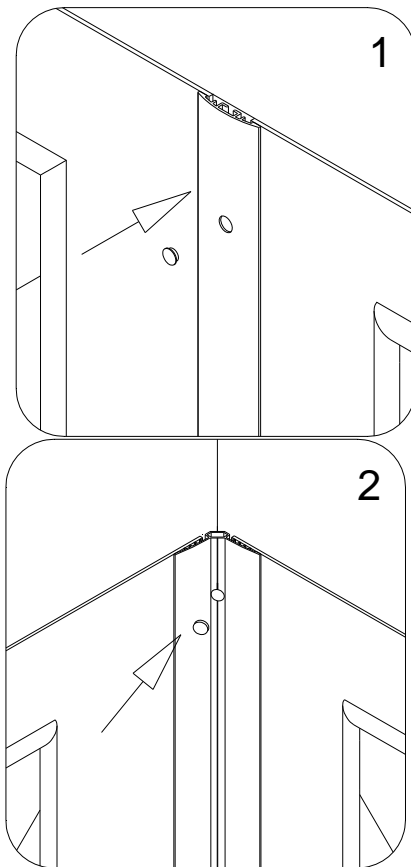


Fig. 29

23. Apply caulk along the top edge of the panels and along the connection of the bottom edges of the panels with the tub.

See Fig. 30 for details.

**ATTENTION:**

Installation of QWALL-Tub is complete.

If you want to install **Glass shelves (09)** to your Tub Wall, follow to the next step.

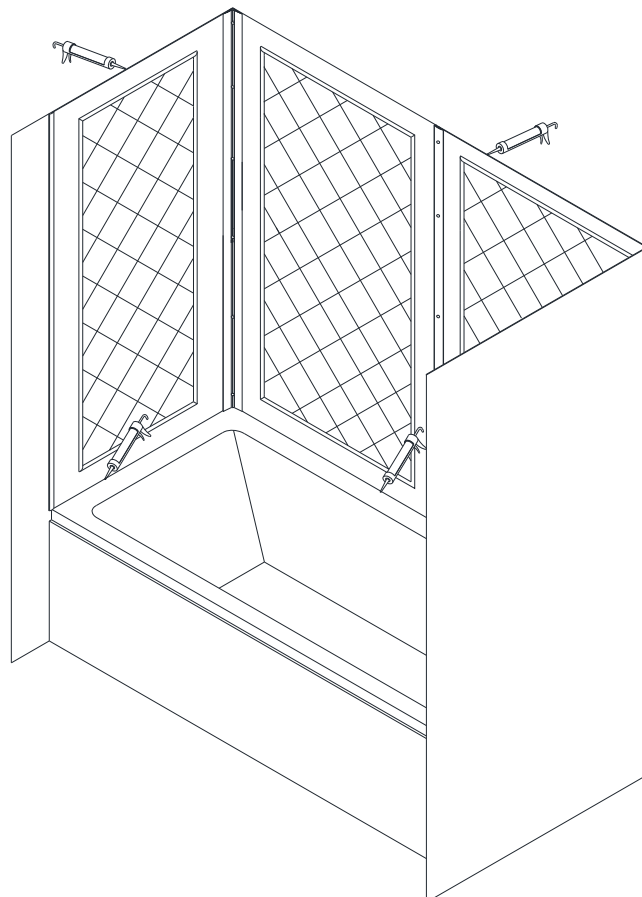


Fig. 30

## Tub Glass Shelves Installation Instruction

24. Find the desirable height for the **Glass shelves (09)** and mark the locations on the wall.

**NOTE:**

The **Glass shelves** can be installed either two in one corner, or one in each.

See Fig. 31 for details.

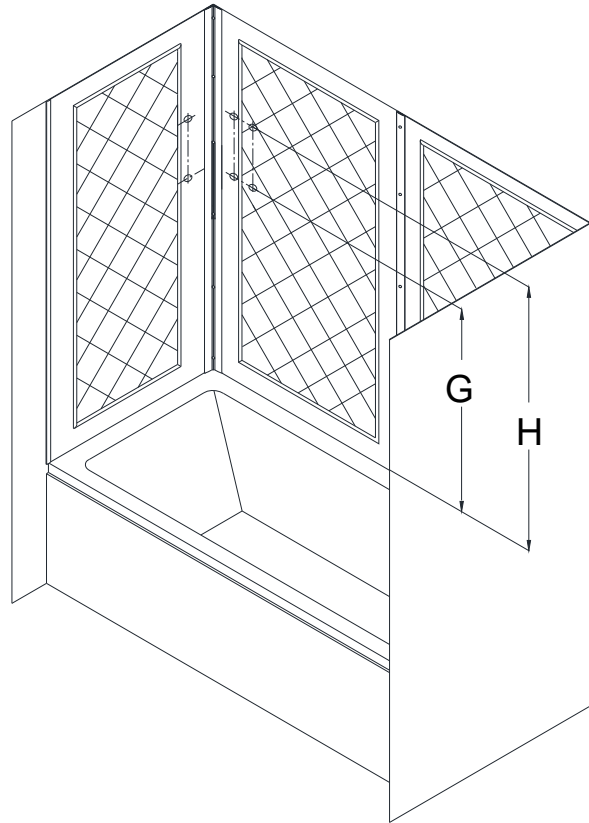


Fig. 31

25. Mark the location for the **Shelf brackets (10)** according to the measurements in Fig. 32.1.

Drill the holes using **Ø5/16"** drill bit and insert the **Wall anchors (06)**.

See Fig. 32 for details.

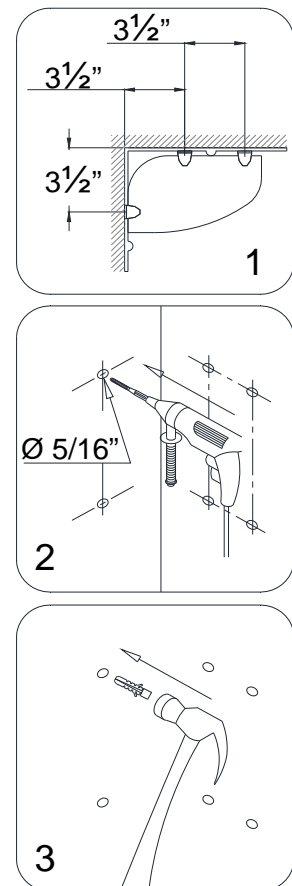


Fig. 32

10. Mount the **Glass brackets (10)** to the wall using the **Countersunk screws ST4.2×30**.

**NOTE:** padded set screw of the Glass bracket should be facing down.

Slide the upper **Glass shelf (09)** into the **Glass brackets** and tighten the set screws at the bottom of the brackets. Then slide the bottom **Glass shelf** in place. Tighten the set screws as well.

See Fig. 33 and Fig. 34 for details.

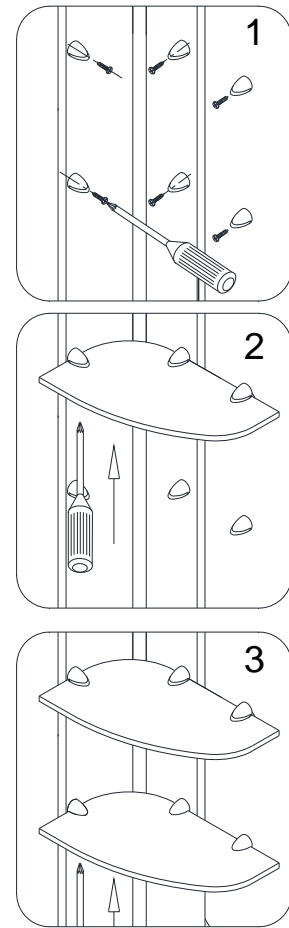


Fig. 33

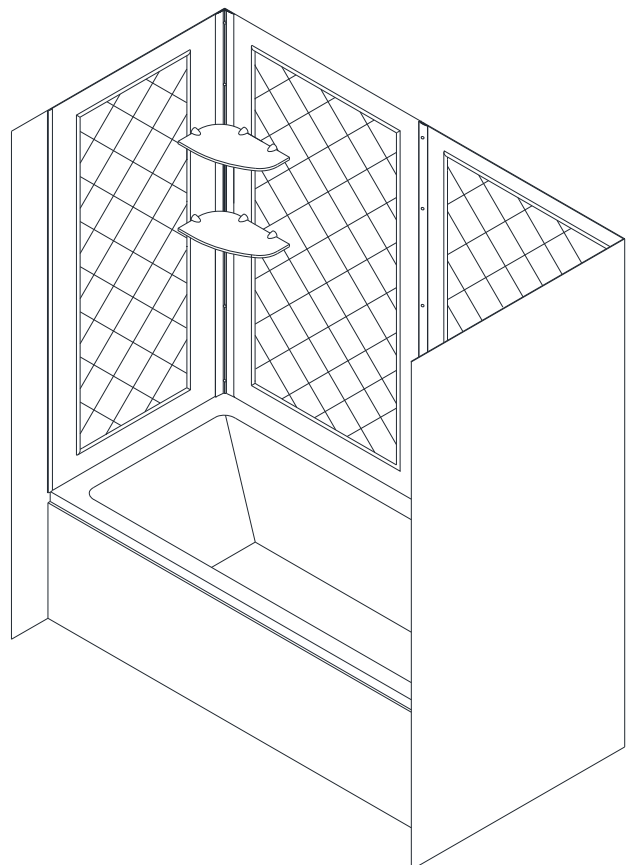


Fig. 34

## **Product maintenance**

To insure long lasting life for your acrylic back walls, wipe them off after each use with a soft cloth. To clean the acrylic back walls use non-abrasive sprays or cream based cleaners. Never use abrasive cleansers, metal brushes or scrapers that could scratch or dull the surface.

### **Acrylic cleaning procedure:**

Acrylic should be cleaned with warm water and a clean, nonabrasive cloth. If desired, a mild, nonabrasive detergent may also be used. Use only light pressure when cleaning. Avoid rubbing dirt or grit into the surface. Turn the cloth often and replace with a clean cloth frequently. Dry by blotting gently with a clean, dry cloth.

### **DO NOT USE:**

Window cleaning sprays, alcohol, kitchen abrasive compounds, or solvents (such as acetone, gasoline, or thinners). Do not use ammonia based cleaning solutions on the acrylic as it will eat into the surface and cause it to damage.

### **How do you get scratches out of Acrylic?**

For light scratches, use a buffing compound such as a car wax. Use the buffer or slightly buff the surface by hands until scratches disappear.

## DREAMLINE™ LIMITED WARRANTY

**This is Bath Authority LLC's ("DreamLine™") exclusive written warranty effective April 2, 2012**

This warranty extends only to the original owner/end-user for household use only and is not transferable to a subsequent owner. This warranty applies only to DreamLine™ products purchased from an authorized dealer and installed in United States or Canada. Proof of purchase (original sales receipt) must be provided with all warranty claims. **In no event shall the liability of DreamLine™ exceed the purchase price of the unit.**

If DreamLine™ shower & tub doors, shower enclosures and shower bases are used commercially, DreamLine™ warrants such products to be free from defects in material and workmanship for one (1) year from initial date of purchase from an authorized dealer, with all other terms of this warranty applying except duration. If DreamLine™ vanities, vessel sinks and shower columns are used commercially, DreamLine™ warrants such products to be free from defects in material and workmanship for three (3) months from initial date of purchase from an authorized dealer, with all other terms of this warranty applying except duration. **DreamLine™ Jetted and Steam Shower Cabins are not intended for commercial use and there is no warranty extended for these products for commercial use.**

DreamLine™ hereby disclaims all warranties for products sold as dealer or store displays. DreamLine™ hereby disclaims all warranties for products used outside of the United States or Canada whether expressed or implied, including but not limited to the implied warranties of merchantability and fitness for a particular purpose.

DreamLine™ will, at its election, repair, replace with product of equal value or make appropriate adjustment where DreamLine's analysis or inspection of warranty claim discloses any such defects occurring in normal usage within the warranty period. DreamLine warranty obligation shall be discharged upon tender of replacement or repair. Purchaser's refusal to accept the tender terminates warranty obligation.

Cost of freight for returning products to DreamLine™ for repairs or replacement under this limited warranty are the responsibility of the customer. Cost of freight associated with shipping of replacement product or parts to the customer may be charged to customer. Any product replaced or repaired during the warranty period will be covered only for the remaining period of the original warranty. In no event will DreamLine be liable for costs of repair or replacement of any installation material, including but not limited to tiles, marble, etc. **DreamLine™ is not responsible for installation, removal or reinstallation costs of any product requiring warranty services.**

Improper modification or alteration of any DreamLine™ products will void the warranty. DreamLine product installations and repairs must be performed by either a DreamLine authorized agent or a licensed experienced professional contractor - installation or repairs performed by any other party shall void the warranty. This warranty shall not apply to breakage or damages caused by normal wear and tear, fault, carelessness, abuse, misuse, misapplication, improper maintenance, alteration or modification of the unit, as well as chemical or natural corrosion, accident, fire, flood, act of God or any other casualty. Improper care and cleaning will void the warranty. Use of cleaners containing abrasive cleansers, ammonia, bleach, acids, waxes, alcohol, solvents or other products not recommended for chrome or similar finish, glass or acrylic will void the warranty. For additional product maintenance instructions please refer to product installation manual. DreamLine™ is not responsible for any issues arising in connection with errors or omissions in information provided on DreamLine's websites. The warranty does not extend to any non-DreamLine™ plumbing or components installed by installers, end users or by any party other than DreamLine™.

**THE FOREGOING WARRANTIES ARE IN LIEU OF ALL OTHER WARRANTIES, EXPRESSED OR IMPLIED, INCLUDING BUT NOT LIMITED TO THE IMPLIED WARRANTIES OF MERCHANTABILITY AND FITNESS FOR A PARTICULAR PURPOSE. BATH AUTHORITY LLC ("DREAMLINE™") AND/OR SELLER DISCLAIM ALL LIABILITY FOR SPECIAL, INCIDENTAL OR CONSEQUENTIAL DAMAGES. DREAMLINE™ IS NOT LIABLE FOR PERSONAL INJURIES OR DEATH TO ANY PERSON OR FOR ANY DIRECT, SPECIAL, INCIDENTAL OR CONSEQUENTIAL DAMAGE, LOSS OF USE, LOSS OF TIME, LOSS OF PROFITS, INCONVENIENCE, INCIDENTAL EXPENSES, LABOR OR MATERIAL CHARGES, OR ANY OTHER COSTS RESULTING FROM THE USE OF ITS PRODUCTS OR PERTAINING TO THE APPLICATION OF THE PRESENT WARRANTY, OR RESULTING FROM THE REMOVAL OR REPLACEMENT OF ANY PRODUCT OR ELEMENT OR PART COVERED BY THIS WARRANTY.**

DreamLine™ is not responsible for product code compliance or for verifying building code restrictions on installation or use and any such compliance is excluded from this warranty. DreamLine™ reserves the right to modify this warranty at any time - such warranty modification will not alter warranty applicable at the time of sale of the products in question. The warranty terms for specific products are:

### **SHOWER & TUB DOORS, SHOWER ENCLOSURES AND SHOWER BASES**

DreamLine™ warrants shower & tub doors, shower enclosures and shower bases to be free from defects in workmanship and materials under normal residential use for a period of five (5) years from the initial date of purchase by the owner/end-user, contractor or builder from an authorized dealer.

### **SHOWER CABINS (JETTED & STEAM)**

DreamLine™ warrants glass, acrylic and finish to be free from defects in workmanship for a period of five (5) years from initial date of purchase by the owner/end-user, contractor or builder from an authorized dealer; and plumbing, electrical and steam generator components for a period of one (1) year from the initial date of purchase by the owner/end-user, contractor or builder from an authorized dealer.

### **SHOWER COLUMNS**

DreamLine™ warrants shower columns to be free from defects in workmanship and materials under normal residential use for a period of one (1) year from the initial date of purchase by the owner/end-user, contractor or builder from an authorized dealer.

### **VANITIES AND VESSEL SINKS**

DreamLine™ warrants bathroom vanities and vessel sinks to be free from defects in workmanship and materials under normal residential use for a period of one (1) year from the initial date of purchase by the owner/end-user, contractor or builder from an authorized dealer.

Some states/provinces do not allow limitations on how long an implied warranty lasts, or the exclusion or limitation of special, incidental or consequential damages, so these limitations and exclusions may not apply to you. This warranty gives you specific legal rights. You may also have other rights, which vary from state/province to state/province.



TEL: 866-731-8378 – 215-957-1411

FAX: 866-227-9245 – 215-893-1780

[WWW.BATHAUTHORITY.COM](http://WWW.BATHAUTHORITY.COM)

For more information on [DreamLine™ Tub Back Wall](http://www.BathAuthority.com) please visit [www.BathAuthority.com](http://www.BathAuthority.com)