

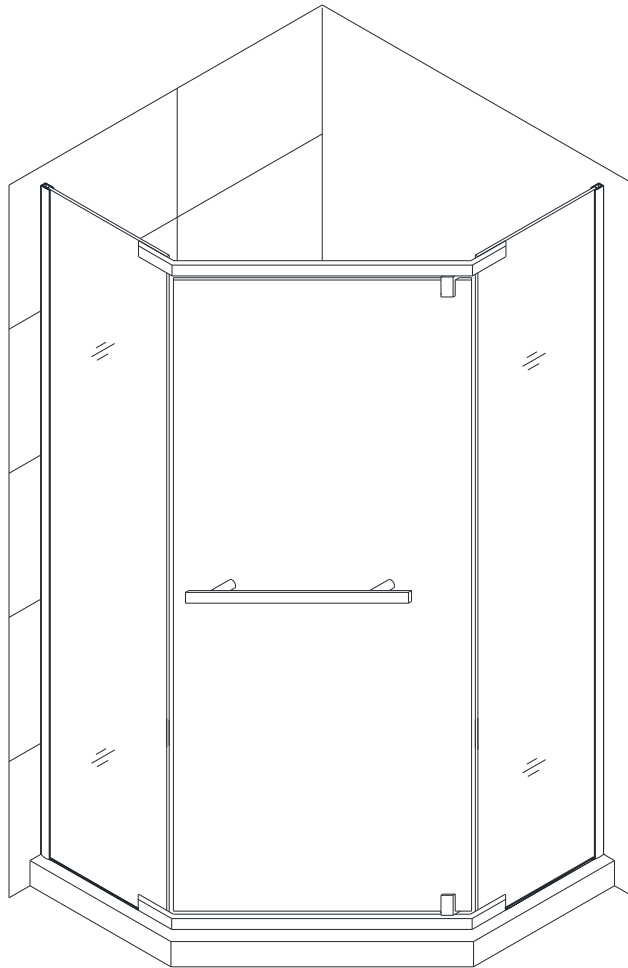


PRISM

SHOWER ENCLOSURE INSTALLATION INSTRUCTIONS

IMPORTANT

DreamLine™ reserves the right to alter, modify or redesign products at any time without prior notice. For the latest up-to-date technical drawings, manuals or any other details please refer to your model's web page on BathAuthority.com



Model #s
SHEN-2134340-01, 04
SHEN-2136360-01, 04
SHEN-2138380-01, 04
SHEN-2140400-01, 04

Finish
01= Chrome
04= Brushed Nickel

Please read these instructions carefully before installing. If you have any questions regarding installation, please contact our technical support specialists Monday through Friday 8:00 AM – 7:00 PM EST at Phone: [1-866-731-2244](tel:1-866-731-2244), Fax: [1-866-857-3638](tel:1-866-857-3638) or e-mail our technical support group at Support@BathAuthority.com

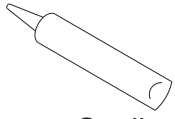
For more information about DreamLine™ products please visit www.BathAuthority.com

Preparation

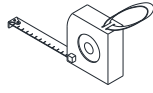
1. Prior to installation, examine all boxes and packages for shipping damage and compare the piece count with your packing slip. After opening all boxes and packages read this introduction carefully. Check that all of the needed parts are included in the package by checking off the components on the "Detailed Diagram of Shower Door Components". If the unit has been damaged, has a finishing defect, or has missing parts, please contact our customer support department within **3 business days** of the delivery date. Please note that **DreamLine™ will not replace any damaged products or missing parts free of charge after 3 business days or if the product has been installed.** Feel free to contact DreamLine™ if you have any questions, and please provide an order number, job name or other proof of purchase to help us identify your original order.
2. **Please note that you should consult your local building codes with questions on installation compliance standards. Building and plumbing codes may vary by location, and DreamLine is not responsible for code compliance standards for your project and will not accept any returns.**
3. Please ensure that prior to the installation the installation surface is leveled and solid and will be able to support the total weight of the unit. Also make sure the walls are at right angles. Irregular installation surface level or improper angle of side walls will result in serious problems for your installation. Please, note that some adjustments and drilling might be necessary during the installation process.
4. This unit has to be installed against a finished floor and walls.
5. **Please, NOTE! This door has 3/8" out-of-plumb adjustment on each side. Make sure your walls are at right angles.**

NOTE: This model is reversible for left or right hand installation. This manual will show the left hand installation with the door pivots on the right. For a right hand installation, simply reverse the orientation of the parts as necessary.

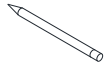
Tools Required



Caulk



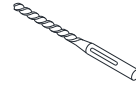
Tape Measure



Pencil



Phillips Screwdriver



Drill bit
(Ø=5/16")



Drill bit
(Ø=1/8")



Wood



Level



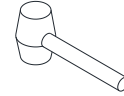
Caulk Gun



Electric Drill



Hammer

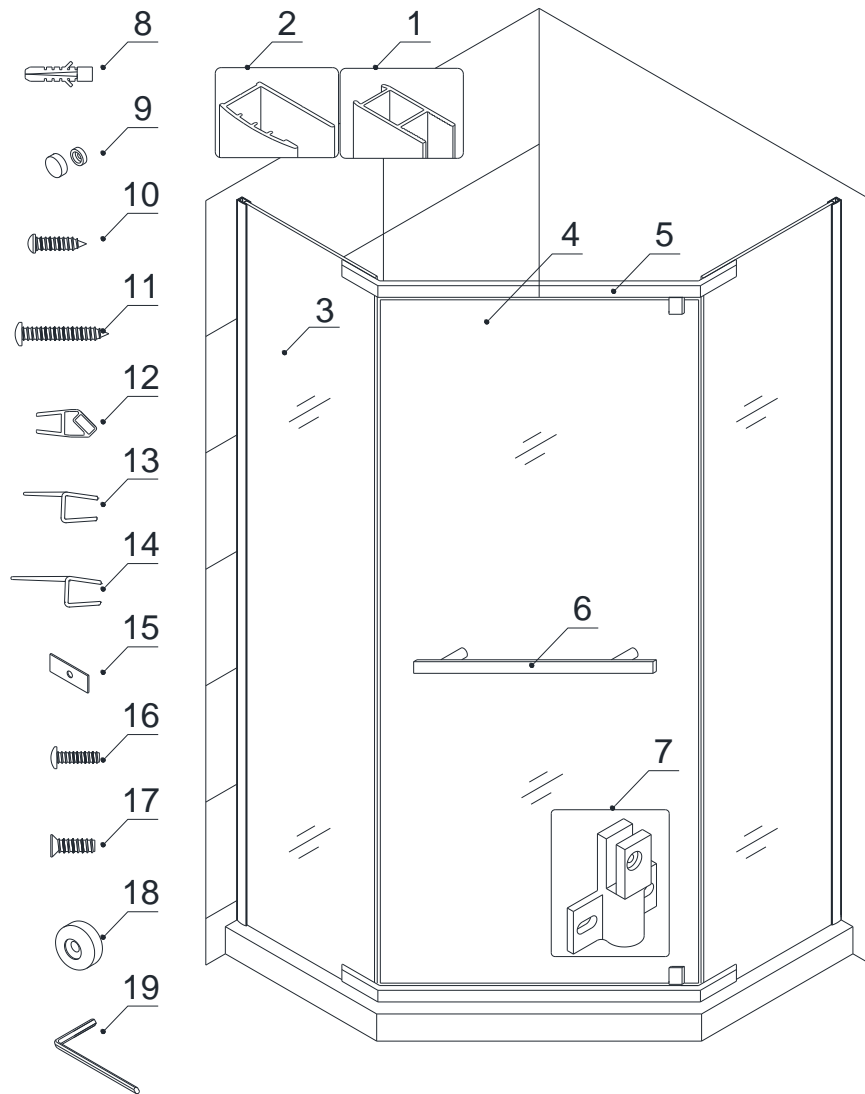


Mallet



Knife

Detailed Diagram of Shower Enclosure Components



Packing List

01	Glass profile	2pcs	11	Round head screw ST4.2x40	8pcs
02	Wall profile	2pcs	12	Magnetic strip	2pcs
03	Stationary glass	2pcs	13	Bottom anti-water strip	1pc
04	Glass door	1pc	14	Flanged anti-water strip	1pc
05	Pivot bar	2pcs	15	Vinyl gasket	4pcs
06	Handle	1pc	16	Hex socket bolt M8x12	4pcs
07	Pivot assembly	2sets	17	Hex socket bolt M8x25	4pcs
08	Wall anchor	8pcs	18	Decorative washer	4pcs
09	Decorative cover	4pcs	19	Hex wrench	1pc
10	Round head screw ST4.2x10	4pcs			

NOTE: Unpack your unit carefully and inspect it. Lay it out and identify all parts using the detailed diagram and packing list in your manual as a reference. Before discarding the carton, check for small hardware bags that may have fallen to the bottom of the box. If any parts are damaged or missing, please contact DreamLine™ for replacement. The shipping boxes may contain extra parts not used in your model configuration.

NOTE: Retain these installation instructions for future reference.

Shower Enclosure Installation

1. Draw the line on the wall according to your Shower Enclosure model size.
Place the **Wall profiles (02)** onto the Shower base or threshold against the finished wall and level it vertically.

See Fig. 1 for details.

Enclosure assembly measurements:

<i>Measure from the finished corner to the inside edge of wall profile as shown:</i>		
Model No.	W1	W2
SHEN-GL2101-343410	33 7/16"	33 7/16"
SHEN-GL2101-363610	35 7/16"	35 7/16"
SHEN-GL2101-383810	37 7/16"	37 7/16"
SHEN-GL2101-404010	39 7/16"	39 7/16"

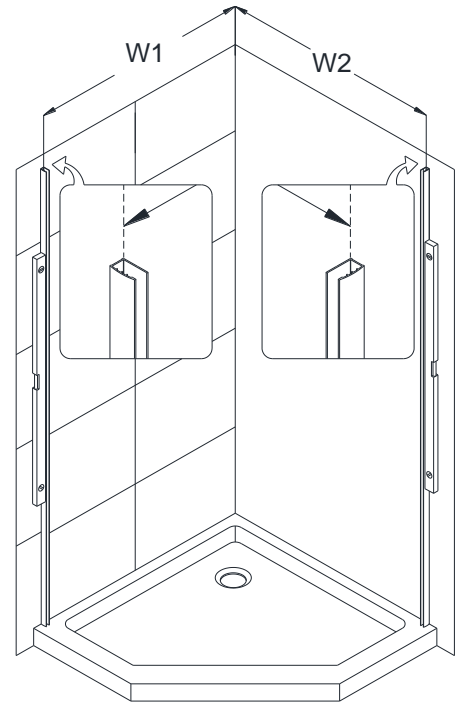


Fig. 1

2. Make sure the **Wall profile (02)** is absolutely vertical.
Mark the drilling holes on the wall through the predrilled holes in the **Wall profile**.
Drill the holes in the wall using $\varnothing 5/16''$ drill bit and insert the **Wall anchors (08)**.
Run a bead of Waterproof silicone along the **Wall profile**.
Fasten the **Wall profile** to the wall using the **Round head screw ST4.2×40 (11)**.

See Fig. 2 for details.

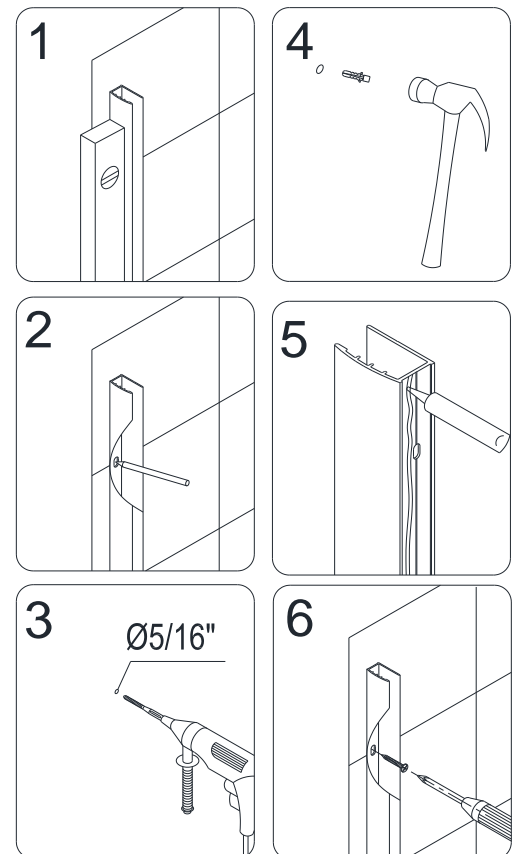


Fig. 2

3. Apply clear silicone along the inner channel of the **Glass profile (01)** and push the **Stationary glass (03)** inside the channel.

Slide the **Stationary glass** assembly into the groove of the **Wall profile (02)**.

NOTE: The small holes on the **Stationary glass** should be away from the wall.

NOTE: If you have difficulty sliding the Glass profile over the Stationary glass, you can slightly tap on the Glass profile with a rubber mallet and a piece of wood. Please do not strike directly on the profile or on the edge of the glass panel.

See Fig. 3 for details.

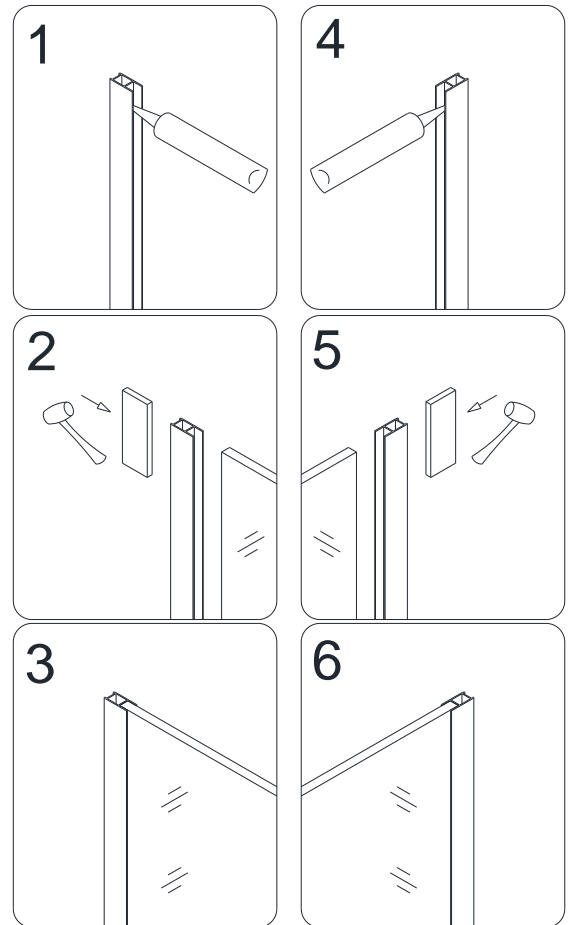


Fig. 3

4. Insert the assembled **Stationary glass** into the **Wall profile (02)**.

See Fig. 4 and Fig. 5 for details.

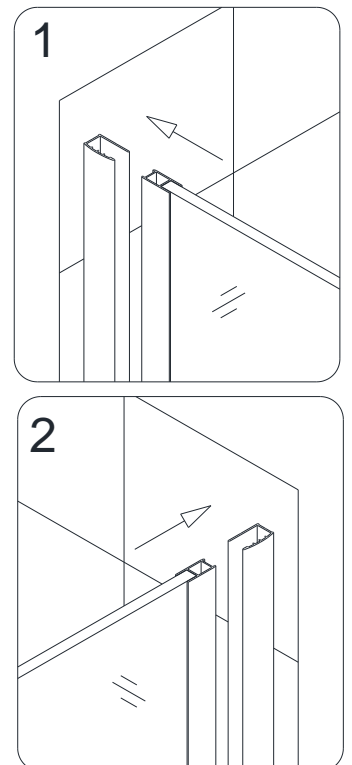


Fig. 4

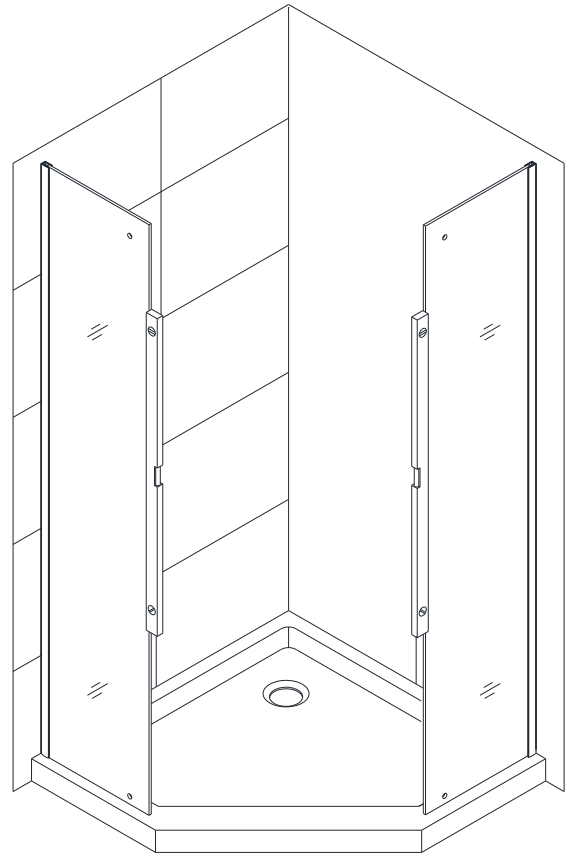


Fig. 5

5. Attach top and bottom **Pivot bars (05)** to the **Stationary glass (03)** using clear **Vinyl gaskets (15)**, **Decorative washers (18)** and **Hex socket bolts M8×25 (17)**. Place the clear **Vinyl gasket** between the **Pivot bar** and the **Stationary glass** to prevent glass to metal connection.
Place the **Decorative washer** between the **Hex socket bolts M8×25** and the **Stationary glass**.

See Fig. 6 and Fig. 7 for details.

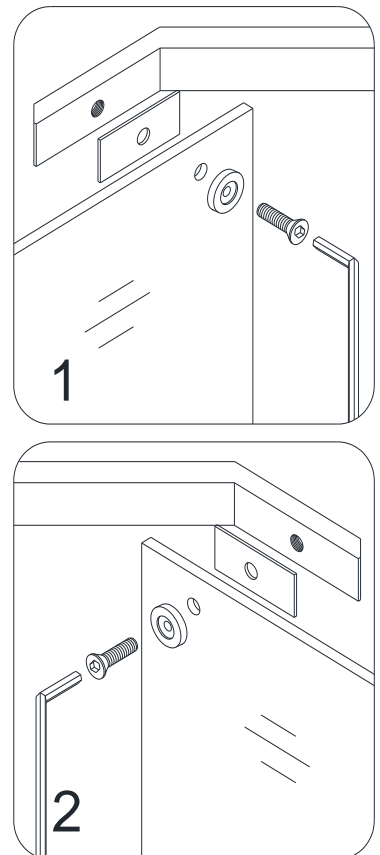


Fig. 6

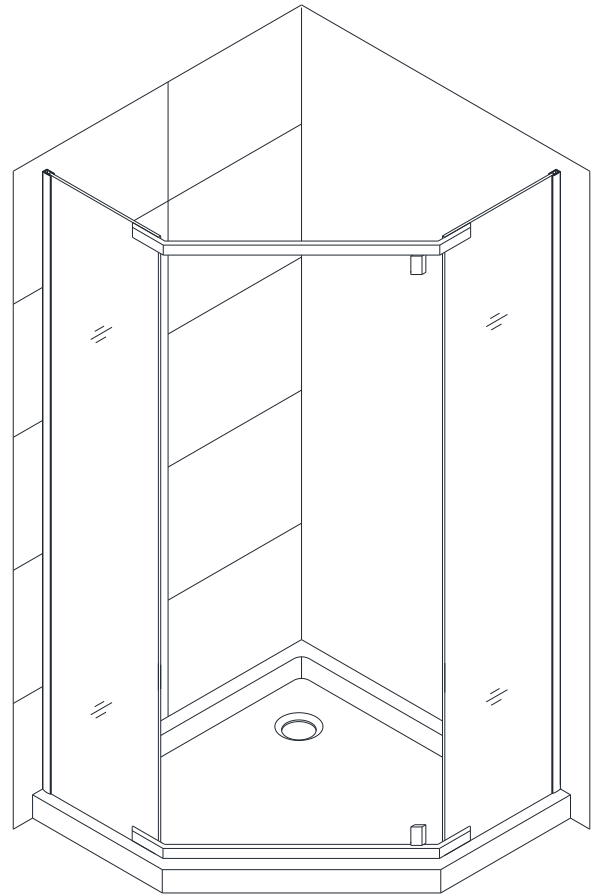


Fig. 7

6. After final adjustments of both **Stationary glasses (03)**, drill the holes, on each end, through the predrilled holes in the **Wall profiles (02)** into the first layer of the **Glass profiles (01)** using $\text{Ø } 1/8''$ drill bit. Use the **Round head screws ST4.2×10 (10)** to secure the **Glass profiles** inside the **Wall profiles**. Cover the exposed screw heads with **Decorative covers (09)**.

See Fig. 8 for details.

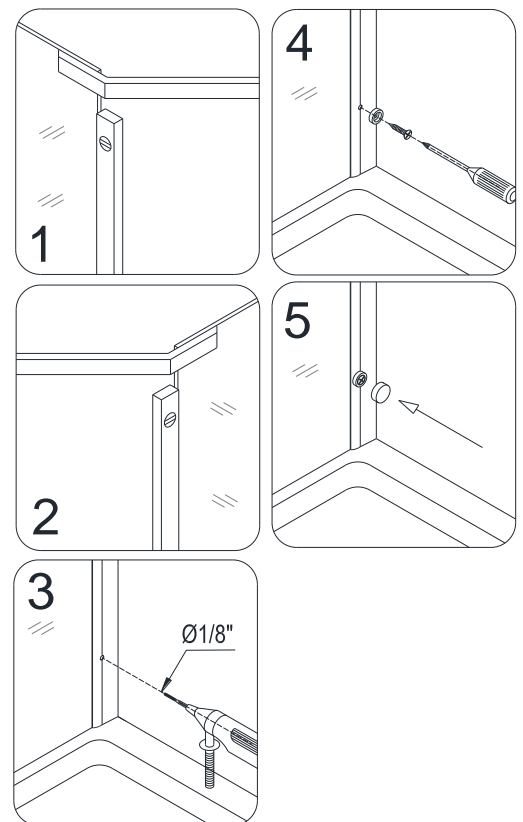


Fig. 8

7. Mount top and bottom **Pivot assemblies (07)** to the **Pivot bars (05)** using **Hex socket bolts M8×12 (16)**.

Remove the back fastener from the **Pivot assemblies**. Set the **Glass door (04)** so the holes are aligned. Make sure the vinyl gaskets are in between the glass and the metal parts. Secure the back fastener with the provided bolt.

See Fig. 9 for details.

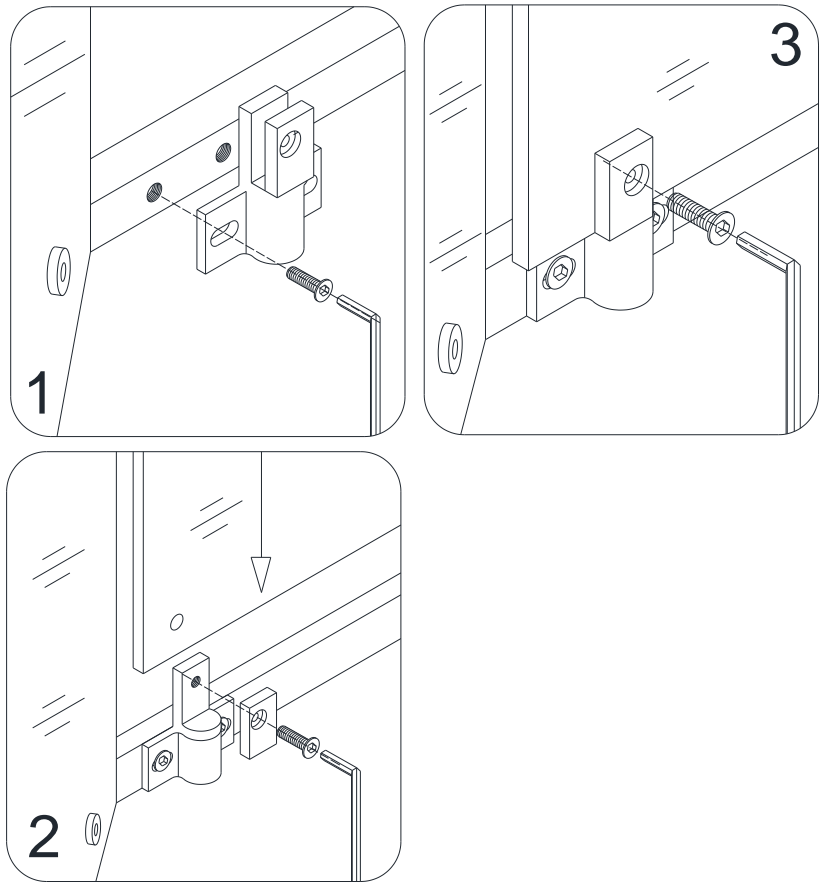


Fig. 9

8. Push the **Flanged anti-water strip (14)** to the vertical edge of the **Glass door (04)** to seal between the door and the **Stationary glass (03)**.

Push the **Bottom anti-water strip (13)** to the bottom edge of the **Glass door**.

Push the **Magnetic strips (12)** to the vertical edges of the **Glass door** and the **Stationary glass**.

Install the **Handle (06)** to the **Glass door**.

See Fig. 10 for details.

NOTE: Trim off the excess Bottom anti-water strip and attach a 1" piece on the opposite side of the bottom pivot.

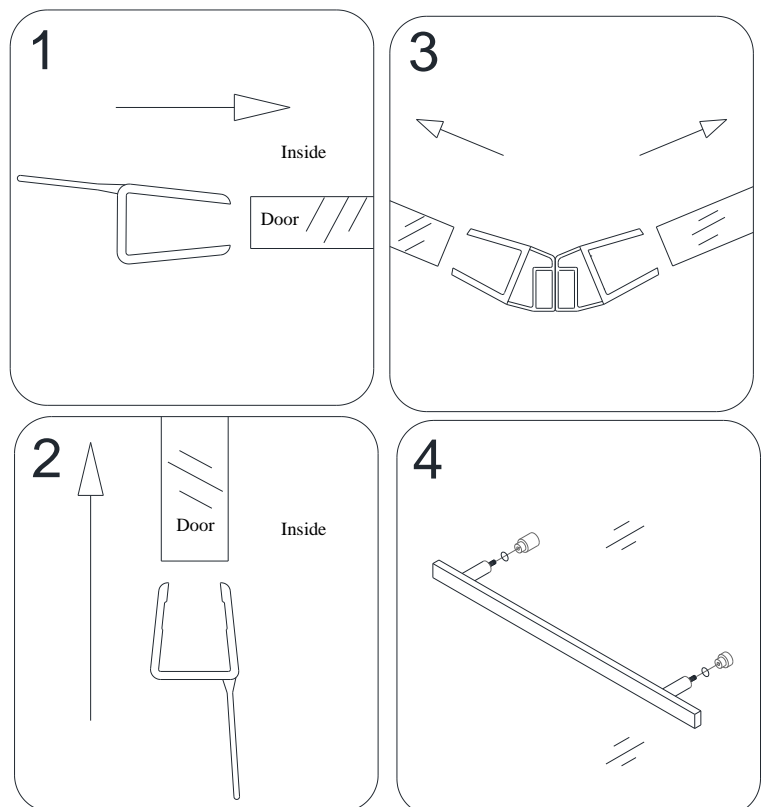


Fig. 10

9. Apply a bead of Kitchen & Bath Waterproof silicone along the interior edges of the **Stationary glass (03)**, **Wall profiles (02)** and **Pivot bar (05)** to seal against the walls and threshold.

See Fig. 11 for details.

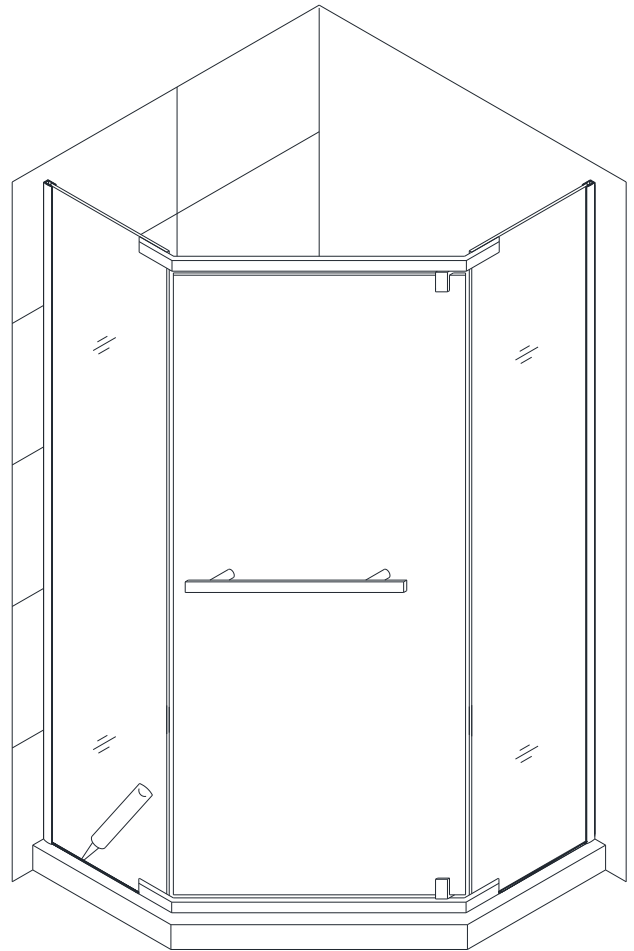


Fig. 11

Product Maintenance

BASES and BACKWALLS: To ensure a long life for your acrylic back walls: wipe them off after each use with a soft cloth. To clean the acrylic back walls use non-abrasive sprays or cream based cleaners. Never use abrasive cleansers, metal brushes or scrapers that could scratch or dull the surface.

GLASS: To ensure long lasting life for your glass shower products: wipe them off after each use with a soft cloth. Rinse and wipe off the glass using either a soft cloth or a squeegee to prevent soap buildup and water spots. To prevent scratching the surface: never use abrasive cleaners and cleaning products that contain scouring agents. Never use bristle brushes or abrasive sponges.

HARDWARE: To ensure a long lasting finish: wipe off the metal parts after each use with a soft cloth. Do not use abrasive cleaners or cleaning products containing ammonia, bleach or acid. If accidentally used, rinse the surface as soon as possible to prevent finish peeling or corrosion. After cleaning the shiny finishes, rinse thoroughly and wipe dry with soft cloth. Clean stainless steel surfaces at least once a week. When applying stainless steel cleaner or polish, work with (not across) the grain. Never use abrasive sponge or cloth, steel wool or wired brushes.



TEL: [866-731-2244](tel:866-731-2244)

FAX: [866-857-3638](tel:866-857-3638)

WWW.BATHAUTHORITY.COM

For more information on [DreamLine™ Shower Enclosures](http://www.BathAuthority.com) please visit www.BathAuthority.com