

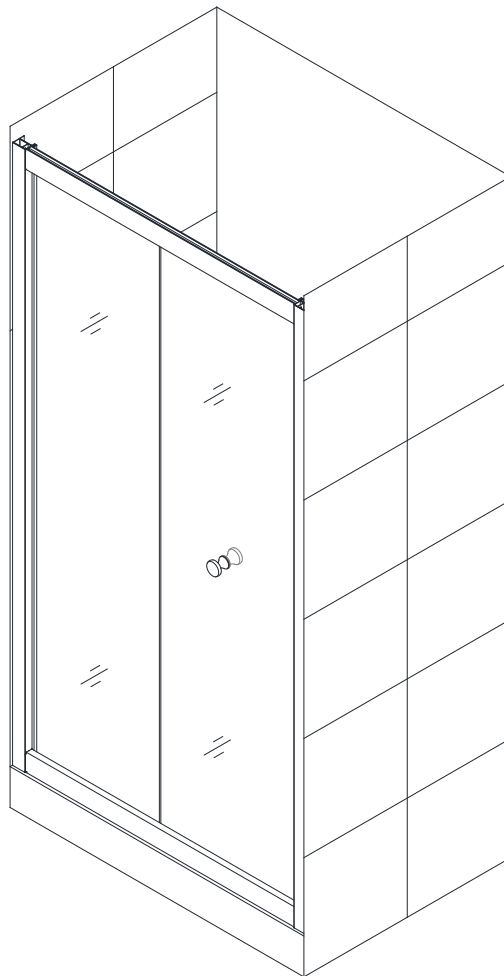


BUTTERFLY

SHOWER DOOR INSTALLATION INSTRUCTIONS

IMPORTANT

DreamLine® reserves the right to alter, modify or redesign products at any time without prior notice. For the latest up-to-date technical drawings, manuals or any other details please refer to your model's web page on BathAuthority.com.



Left hinge installation shown

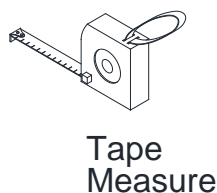
Please read these instructions carefully before installing. If you have any questions regarding installation, please contact our technical support specialists Monday through Friday 8:00 AM – 7:00 PM EST at Phone: 1-866-731-2244, Fax: 1-866-857-3638 or e-mail our technical support group at Support@BathAuthority.com

For more information about DreamLine® products please visit www.BathAuthority.com

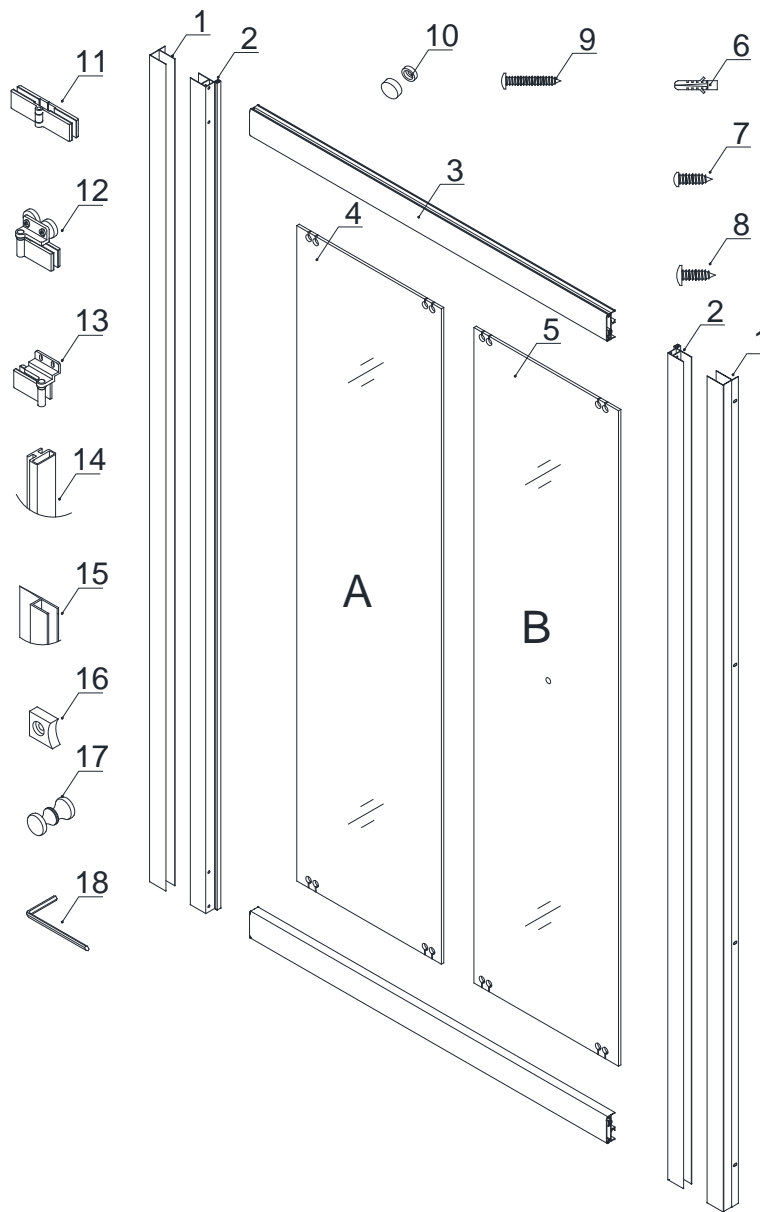
Preparation

1. Prior to installation, examine all boxes and packages for shipping damage and compare the piece count with your packing slip. After opening all boxes and packages read this introduction carefully. Check that all of the needed parts are included in the package by checking off the components on the "Detailed Diagram of Shower Door Components". If the unit has been damaged, has a finishing defect, or has missing parts, please contact our customer support department within **3 business days** of the delivery date. Please note that **DreamLine® will not replace any damaged products or missing parts free of charge after 3 business days or if the product has been installed.** Feel free to contact DreamLine® if you have any questions, and please provide an order number, job name or other proof of purchase to help us identify your original order.
2. If this unit is going to be installed in a new construction, please, install all of the required plumbing and drainage before installing the shower. **Use a competent and licensed plumber (if required by local code) for all plumbing installation.**
3. **Please note that you should consult your local building codes with questions about installation compliance standards. Building and plumbing codes may vary by location, and DreamLine® is not responsible for code compliance standards for your project and will not accept any returns.**
4. **Prior to installation,** please ensure that the surface is level and solid and will be able to support the total weight of the unit. Also make sure that the walls are plumb. Depending on the type of unit you are installing, some adjustments in leveling may be possible. However, irregular installation surface level or out-of-square conditions can result in serious problems for your installation. Please note that some adjustments and drilling may be necessary. **Please protect all primary surfaces of the product during installation.**
5. **Never set your glass down directly onto a tile floor.** Always use a piece of wood or cardboard to protect the bottom edge and corners of the glass.
6. **NOTE: This door has an out-of-plumb adjustment of up to 3/4" on each side.**

Tools Required



Detailed Diagram of Shower Door Components



Packing List

01	Wall profile	2pcs	10	Decorative cover	4pcs
02	Glass profile	2pcs	11	Middle hinge (top & bottom)	1set
03	Guide rail	2pcs	12	Roller (top & bottom)	1set
04	Glass door A	1pc	13	Hinge (top & bottom)	1set
05	Glass door B	1pc	14	Seal strip (pre-installed on part #2)	2pcs
06	Wall anchor	8pcs	15	Anti-water strip	1pc
07	Round head screw ST4.2×10	4pcs	16	Roller stopper	2pcs
08	Round head screw ST4.2×12	6pcs	17	Handle	1set
09	Round head screw ST4.2×30	16pcs	18	Allen wrench	1set

NOTE: Unpack your unit carefully and inspect it. Lay it out and identify all parts using the detailed diagram and packing list in this manual as a reference. Before discarding the carton, check for small hardware bags that may have fallen to the bottom of the box. If any parts are damaged or missing, please contact DreamLine® for replacement. The shipping boxes may contain extra parts not used in your model configuration.

NOTE: Retain these installation instructions for future reference.

Shower Door Assembly

NOTE: This door is reversible for right or left-hinge door installation. The left-hinge door installation is shown as an example throughout this manual. For a right –hinge door installation, simply flip the entire door assembly over before positioning in the opening.(See step #6)

1. Carefully place the **Glass door A (04)** and the **Glass door B (05)** on a flat surface. **NOTE:** The distances from the glass edge to the paired holes on both sides of the **Glass doors** are different. The side of each **Glass door** where the paired holes are closer to the edge should be facing each other as shown.

See Fig. 1 for details.

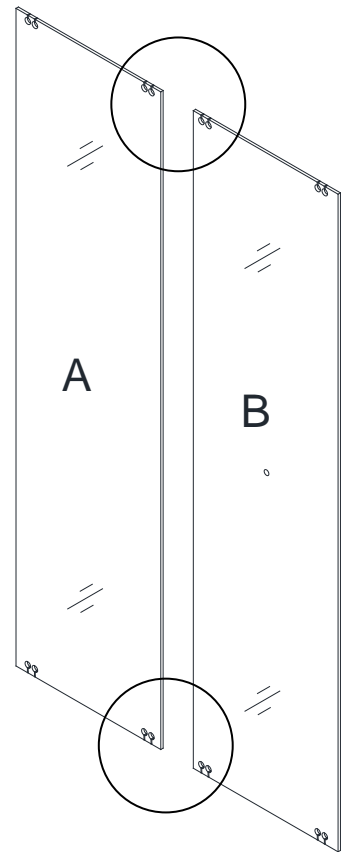


Fig. 1

2. Attach the top and the bottom **Hinges (13)** to the left edge of the **Glass Door A (04)** using the **Allen wrench (18)**.

See Fig. 2 and Fig. 5 for details.

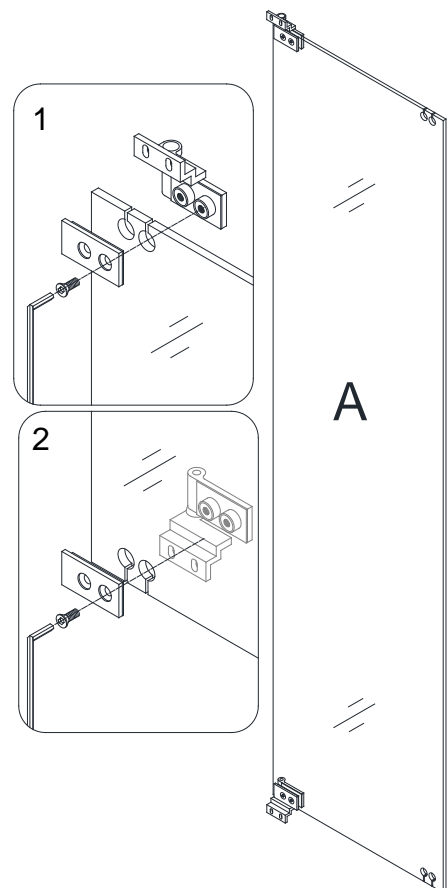


Fig. 2

3. Attach the top and the bottom **Rollers (12)** to the right edge of **Glass Door B (05)**. (this is the glass with the handle hole in the center) Pay attention to the position of the rollers on the glass so that they are oriented properly for your installation.

See Fig. 3 and Fig. 5 for details.

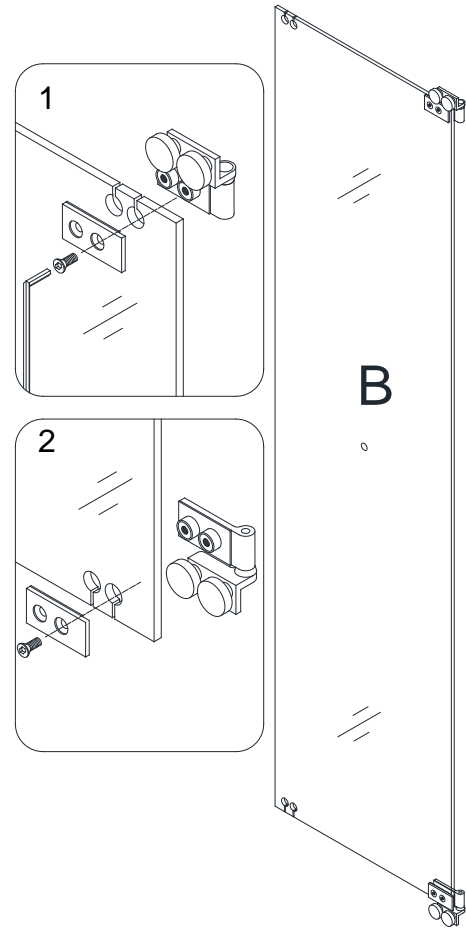


Fig. 3

4. Connect the **Glass door A (04)** to the **Glass door B (05)** using the top and the bottom **Middle hinges (11)**. Pay attention to the position of the middle hinges on the glass so that they are oriented properly for your installation.

See Fig. 4 and Fig. 5 for details.

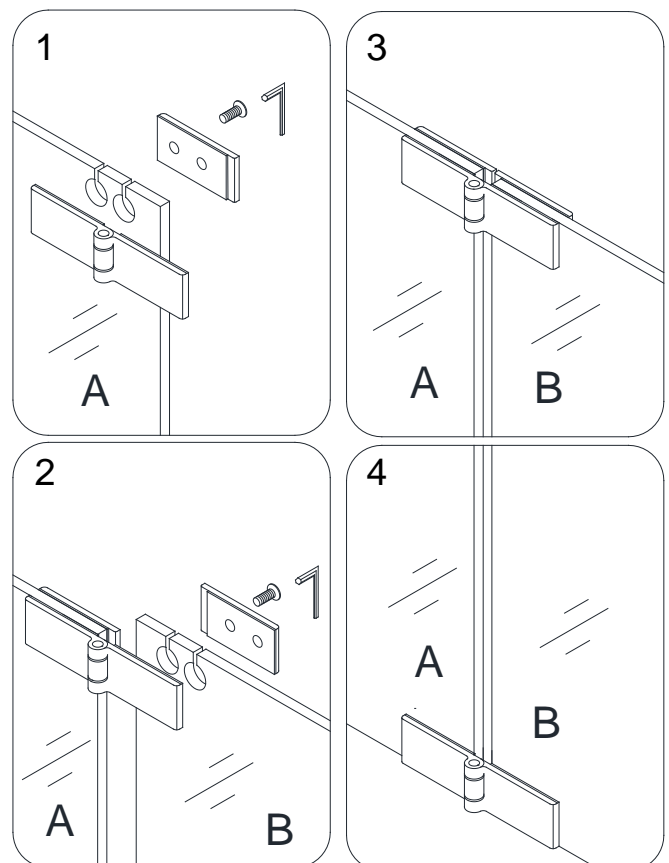


Fig. 4

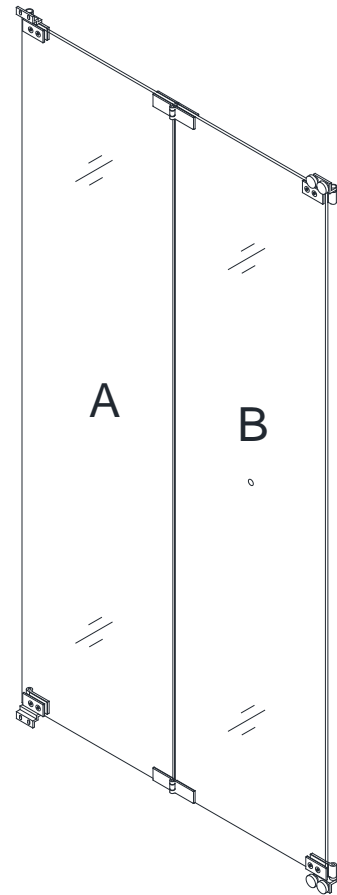


Fig. 5

5. Locate the **Guide rails (03)** and the **Glass profile (02)**. Connect the left end of the **Guide rails** to the **Glass profile** using the **Round head screws ST4.2×30 (09)**.

See fig. 6 for details.

NOTICE:

Make sure that the **Seal strip flange (14)** on the **Glass profile (2)**, is pointing towards the inside of the shower as shown in Fig 6.1.

TIP: Apply some liquid soap or wax to the screws to make installation easier and to prevent stripping the screws.

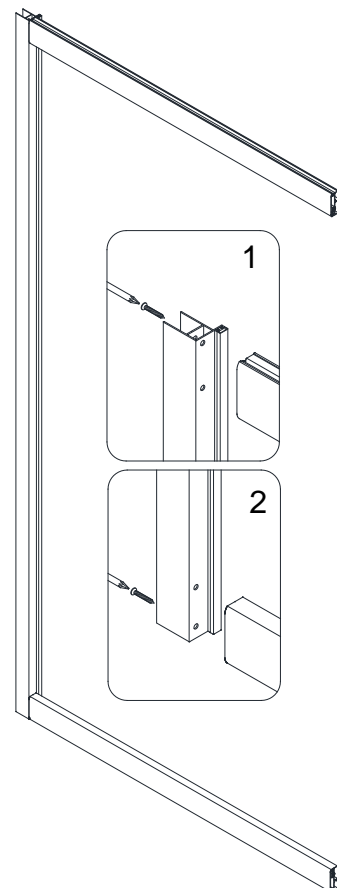


Fig. 6

6. Slide the glass unit, **Hinges (13)** side first, into the channel of the top and bottom **Guide rails (03)** from the right side, followed by the **Rollers (12)**.

See Fig. 7 and Fig. 8 for details.

Note: This step will determine the hand of your door. Left Hinge installation is shown. For a Right Hinge installation, simply rotate the door assembly from top to bottom and insert the **Hinges (13)** side first into the left end of the guide rails.

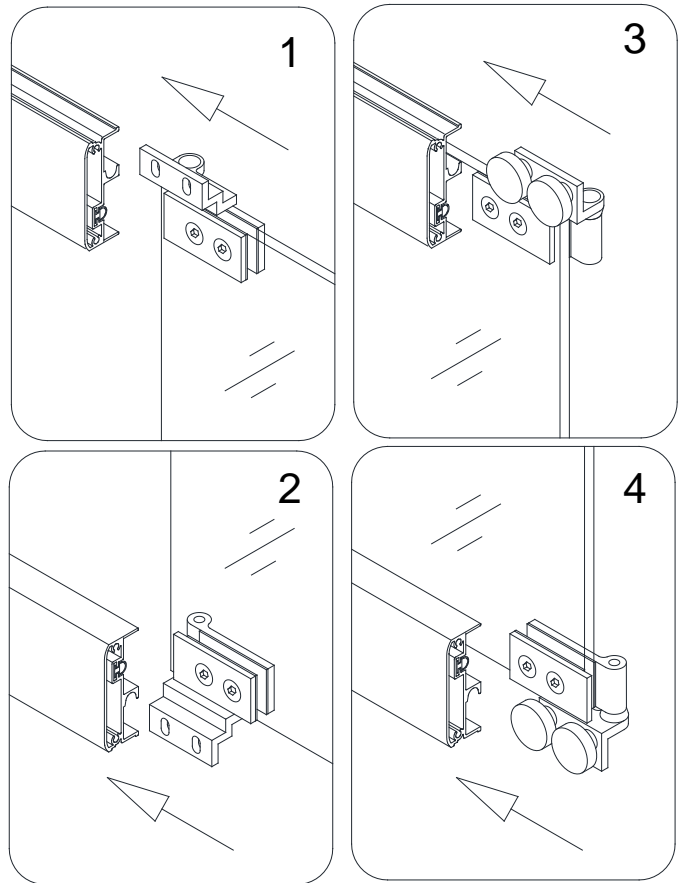


Fig. 7

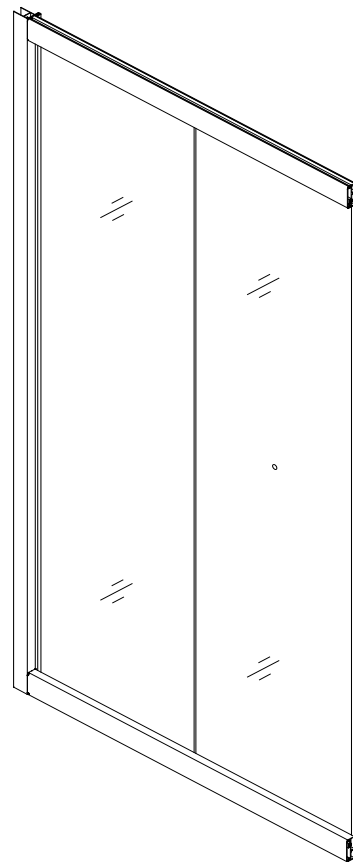


Fig. 8

7. Secure the **Hinges (13)** inside the **Guide rails (03)** using the **Round head screws ST4.2×12 (08)** using the pre-drilled holes.

See Fig. 9 for details.

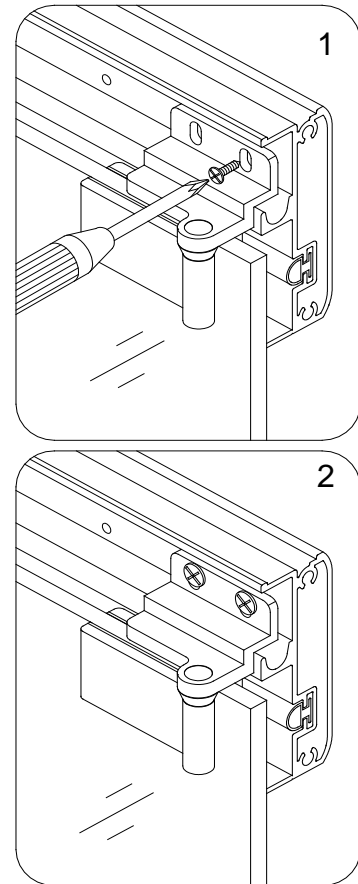


Fig. 9

8. Attach another **Glass profile (02)** at the right side of the glass unit and fasten it to the **Guide rails (03)** with the **Round head screws ST4.2×30 (09)**.

See Fig. 10 and Fig. 11 for details.

NOTICE:

Make sure that the **Seal strip flange (14)** on the **Glass profile (2)**, is pointing towards the inside of the shower (Fig 10.1).

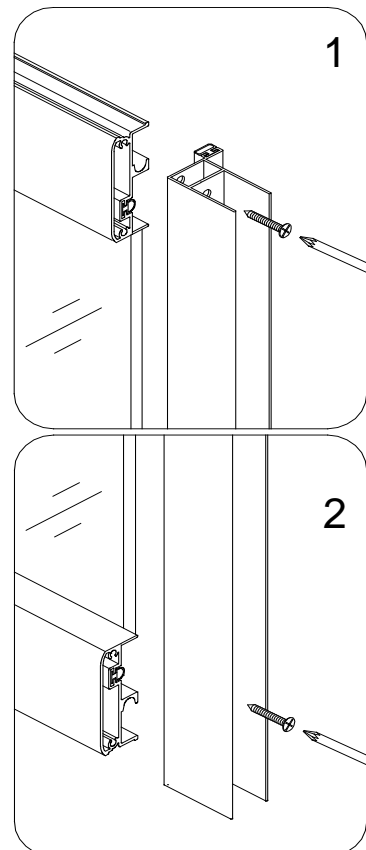


Fig. 10

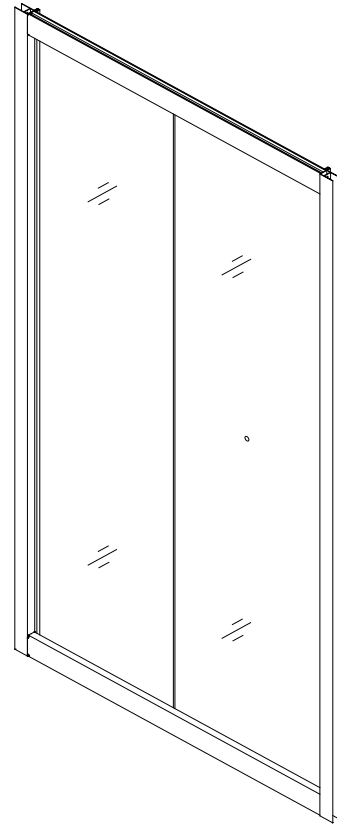


Fig. 11

9. Secure the **Roller stoppers (16)** inside the top and the bottom **Guide rails (03)** with the **Round head screw ST4.2×12 (08)**.

See Fig. 12 for details.

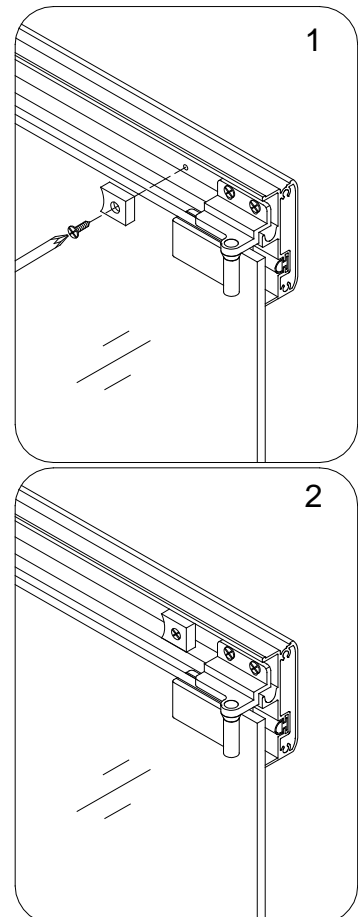


Fig. 12

10. Locate the two **Wall profiles (01)** in the package.

See fig. 13 for details.

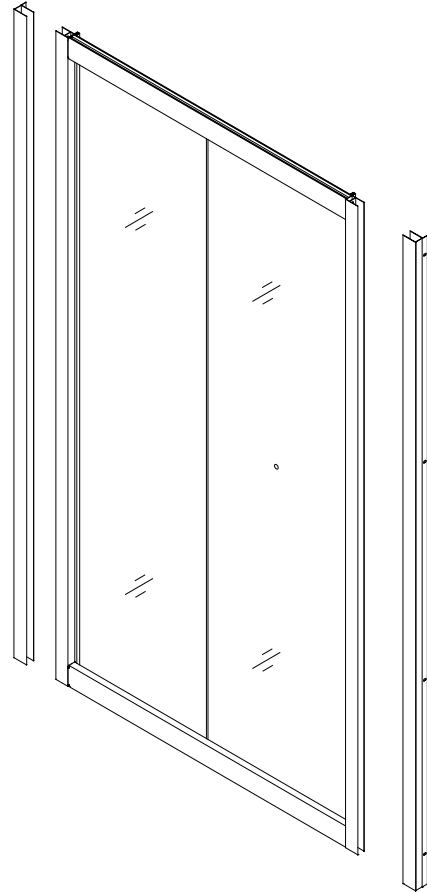


Fig. 13

11. Slide the **Wall profiles (01)** over the **Glass profiles (02)** on both sides of the unit. Be sure to position the wall profiles so that the flange with the predrilled holes faces inside the shower.

See fig. 14 for details.

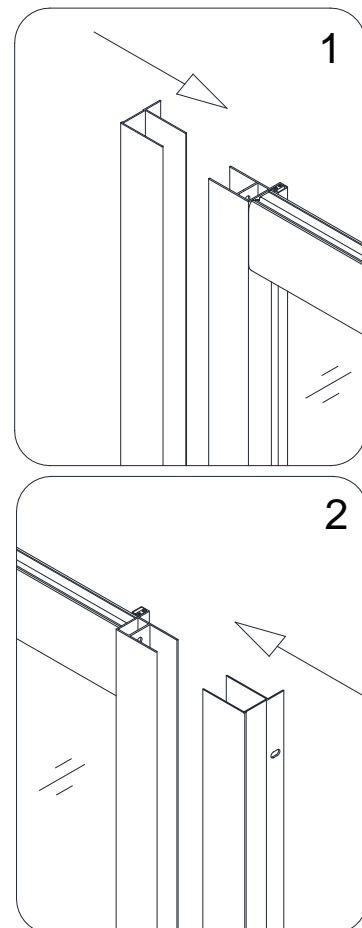


Fig. 14

12. Carefully position the assembled Glass unit onto the Shower base and slide the **Wall profiles (01)** tight against the walls. You can adjust for out-of-plumb wall conditions up to 3/4" per side depending on your finished opening width. Use a level to plumb the wall profiles as shown.

See Fig. 15 for details.

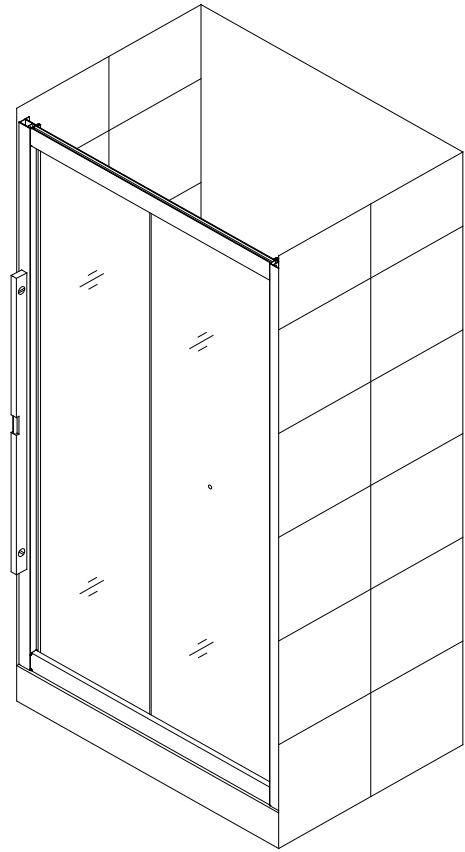


Fig. 15

13. Mark the screw holes on the wall through the predrilled holes in flanges of the **Wall profiles (01)** from inside of the Shower. Remove the entire assembly from the opening and drill holes with a **5/16" Ø drill bit** and insert the **Wall anchors (06)**. Place the assembled unit back onto the designated position in the shower opening and fasten the **Wall profiles (01)** to the wall with the **Round head screws (09)**.

See Fig. 16 for details.

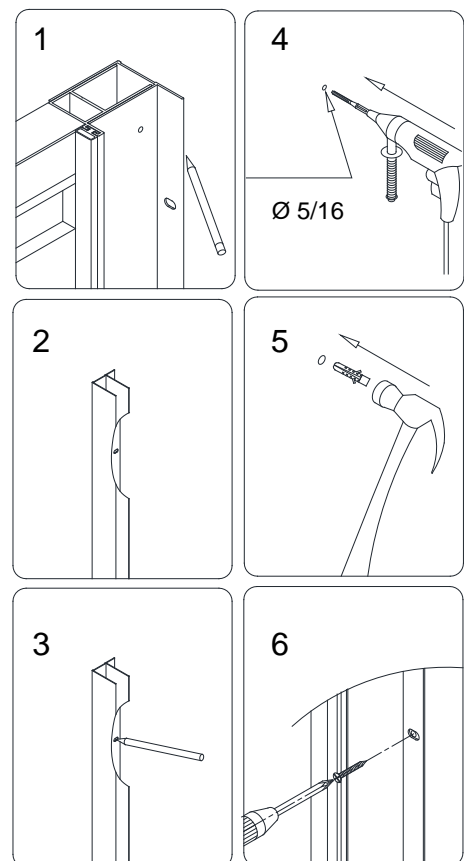


Fig. 16

14. Make final adjustments to the **Wall profiles (01)** if necessary and make certain that the bottom rail is tight to the threshold. Drill holes into the **Glass profiles (02)** at the top and bottom using an **1/8" Ø drill bit** as shown.

Secure the **Wall profiles (01)** and the **Glass profiles (02)** together with the **Round head screws ST4.2×10 (07)**. Use the raised white washers with the screws to hold the **Decorative Covers (10)**. (Fig 17.2)

See fig. 17 for details.

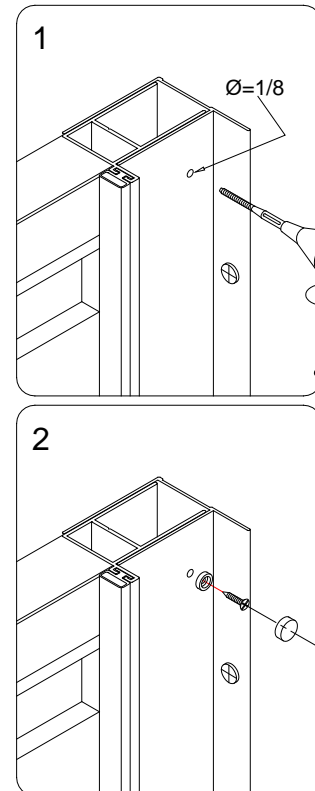


Fig. 17

15. Test the operation of the **Glass doors** and adjust the bolts on the **Rollers (12)** as necessary to make the door slide smoothly.

See fig. 18 for details.

TIP: Some minor adjustments to the rollers and hinges may be necessary so that the doors will fully close and seal. Begin adjustments from the hinge side, then the center hinges and then the rollers. Doors should close flat against the top and bottom rail.

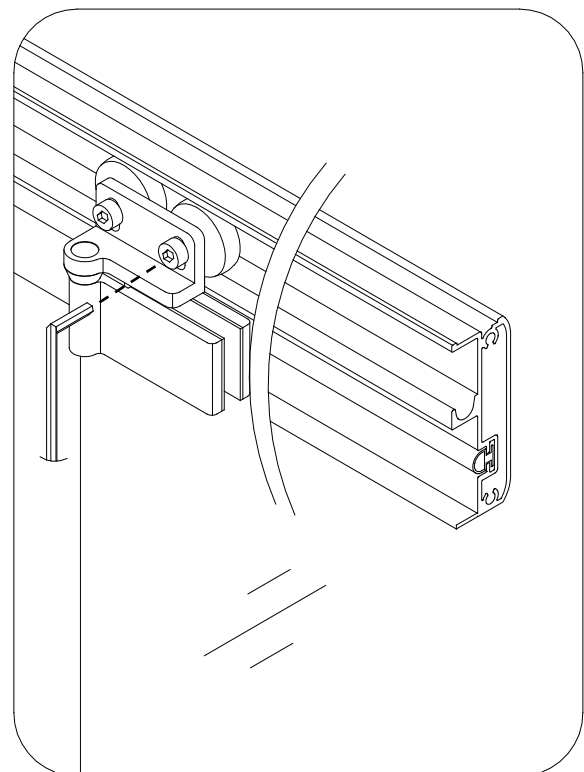


Fig. 18

16. Mount the **Handle (07)** onto the glass door.
Open the door and attach **Anti-water strip (15)** to the vertical edge of the **Glass door**. The strip flange should point away from the shower head.

See Fig. 19 for details.

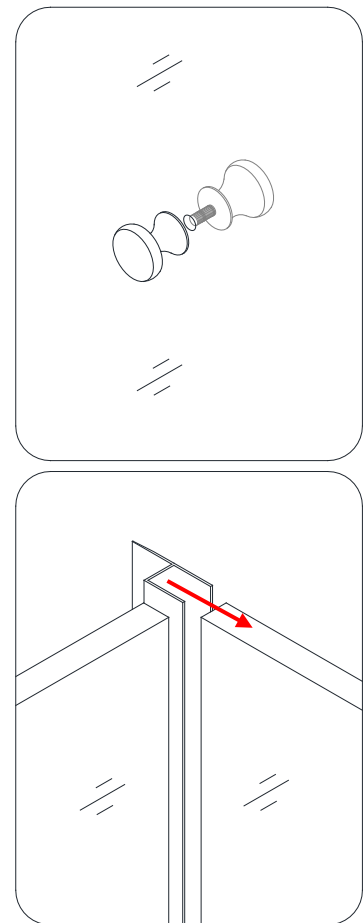


Fig. 19

17. Apply silicone or caulk along the **Wall profiles (01)** and along the bottom **Guide rail (03)**.

See Fig. 20 for details.

NOTICE:

This door is reversible for right or left opening installation.

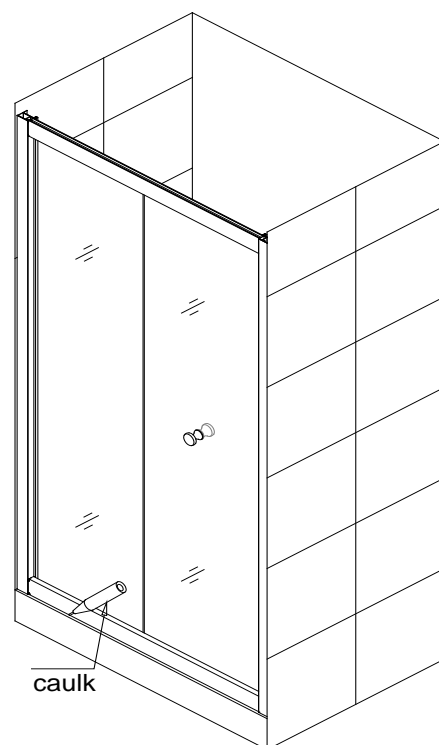


Fig. 20

Product Maintenance

BASES and BACKWALLS: To ensure a long life for your acrylic back walls: wipe them off after each use with a soft cloth. To clean the acrylic back walls use non-abrasive sprays or cream based cleaners. Never use abrasive cleansers, metal brushes or scrapers that could scratch or dull the surface.

GLASS: To ensure long lasting life for your glass shower products: wipe them off after each use with a soft cloth. Rinse and wipe off the glass using either a soft cloth or a squeegee to prevent soap buildup and water spots. To prevent scratching the surface: never use abrasive cleaners and cleaning products that contain scouring agents. Never use bristle brushes or abrasive sponges.

HARDWARE: To ensure a long lasting finish: wipe off the metal parts after each use with a soft cloth. Do not use abrasive cleaners or cleaning products containing ammonia, bleach or acid. If accidentally used, rinse the surface as soon as possible to prevent finish peeling or corrosion. After cleaning the shiny finishes, rinse thoroughly and wipe dry with soft cloth. Clean stainless steel surfaces at least once a week. When applying stainless steel cleaner or polish, work with (not across) the grain. Never use abrasive sponge or cloth, steel wool or wired brushes as this may permanently scratch the surface.



TEL: [866-731-2244](tel:866-731-2244)

FAX: [866-857-3638](tel:866-857-3638)

www.BATHAUTHORITY.COM

For more information on [DreamLine® Shower Doors](http://www.BathAuthority.com) and [Enclosure](http://www.BathAuthority.com) please visit www.BathAuthority.com