

Mixing Metering Handwash Faucet

TECK[®]
COMMERCIAL

DELTA[®]

Specification: (example)

- **HEAVY-DUTY CAST BRASS**
- Two handle mixing metering faucet
- Vandal resistant handle actuator
- Vandal resistant spout outlet
- Polished chrome plated finish
- Delta[®] metering slow close cartridge
- **Total flow not to exceed 0.25 gallon per handle activation**

and ...

with ... (add product variation required)

with ... (add handle required)



86T1153



86T1350

Engineer/Architect Approval







Model Specified:

Approval:

Date:

DESCRIPTION	PRODUCT NO.			
Mixing Metering Handwash Faucet	86T1		5	



PRODUCT VARIATION	OUTLET	HANDLE
0 102mm (4") Centerset with Open Grid Strainer  <input type="checkbox"/>	0 <input type="checkbox"/>	0 Vandal Resistant Push Button (For Product Variation No. 3 Only)  <input type="checkbox"/>
1 102mm (4") Centerset less Pop-up  <input type="checkbox"/>	1 <input type="checkbox"/>	1 <input type="checkbox"/>
2 <input type="checkbox"/>	2 <input type="checkbox"/>	2 <input type="checkbox"/>
3 Widespread Faucet, Cast Spout, less Pop-up  <input type="checkbox"/>	3 <input type="checkbox"/>	3 Vandal Resistant ADA Lever Handle (For Product Variation No's 0 & 1 Only)  <input type="checkbox"/>
4 <input type="checkbox"/>	4 <input type="checkbox"/>	4 <input type="checkbox"/>
5 <input type="checkbox"/>	5 Vandal Resistant 0.5 USGPM (1.9 L/min) Flow Control Non-Aerating Spray Outlet  <input checked="" type="checkbox"/>	5 <input type="checkbox"/>
6 <input type="checkbox"/>	6 <input type="checkbox"/>	6 <input type="checkbox"/>
7 <input type="checkbox"/>	7 <input type="checkbox"/>	7 <input type="checkbox"/>
8 <input type="checkbox"/>	8 <input type="checkbox"/>	8 <input type="checkbox"/>
9 <input type="checkbox"/>	9 <input type="checkbox"/>	9 <input type="checkbox"/>

Refer to www.specselect.com for individual models.

Flow Rates are at 60 PSI.
Note: Use this page front and back as a product submittal sheet.

Delta reserves the right (1) to make changes in specifications and materials, and (2) to change or discontinue models, both without notice or obligation. Dimensions are for reference only. See current full-line price book or www.specselect.com for finish options and product availability.

DSP-86T Rev. B



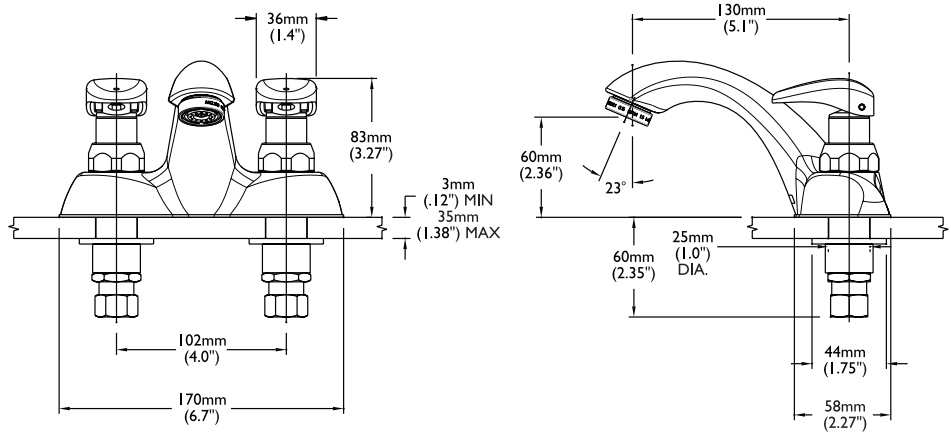
TECK[®]
COMMERCIAL

Mixing Metering Handwash Faucet

Approvals:

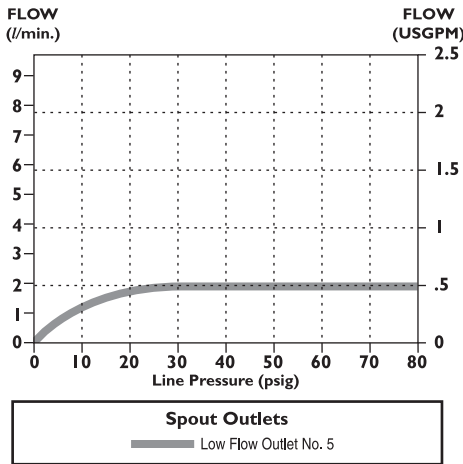
- CSA certified
 - Complies to ASME Standard A112.18.1
 - Lever Handle No. 3 ADA Compliant and meets Handicapped Accessibility Standard ASME A117.1 of less than 5 lbs. operating force.
- (Contact Delta Representative for State and/or Local Approvals.)

86T1153

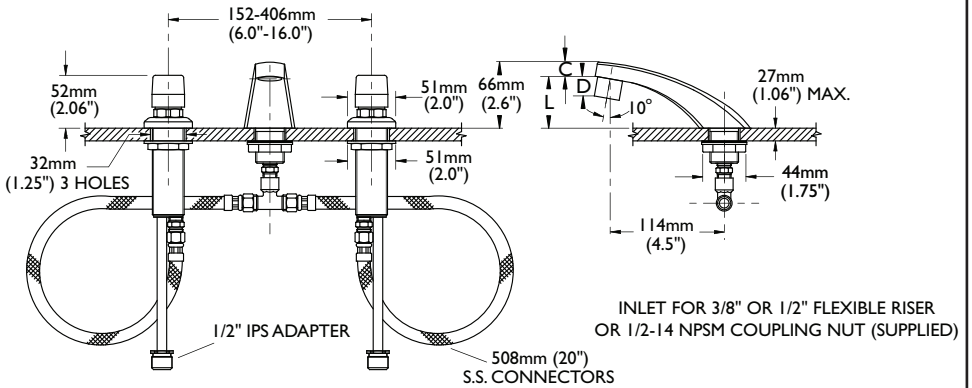


INLET FOR 3/8" OR 1/2" FLEXIBLE RISER OR 1/2-14 NPSM COUPLING NUT (SUPPLIED)

FLOW RATE vs PRESSURE

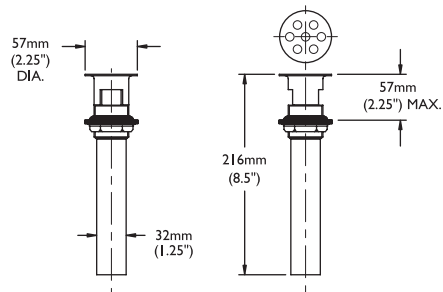


86T1350



INLET FOR 3/8" OR 1/2" FLEXIBLE RISER OR 1/2-14 NPSM COUPLING NUT (SUPPLIED)

OPEN GRID STRAINER
(supplied with Product Variation 0)



CAST SPOUT OUTLET NO.	"D"	
	mm	in.
5	11	0.45

Use of check valves or check stops is recommended to prevent possible cross-flow.

SPOUT ASSEMBLIES

SPOUT TYPE	DIMENSIONS	"A"		"C"		"L"	
		mm	in.	mm	in.	mm	in.
Cast Spout		114	4.5	15	0.6	51	2

Note: Measurements may vary ± 6mm (0.25")

Refer to www.specselect.com for individual models.

Note: Use this page front and back as a product submittal sheet.