



Drainage/Supplies

32mm(1 1/4") offset open grid strainer with 127mm (5.0") fixed centers

Model No: 33T290-1

COMPLIES WITH:

- CSA certified.
- Complies to ASME A112.18.2/CSA B125.2
- ADA compliant
- (Contact Delta Representative for State and/or Local Approvals)



SPECIFICATION:

- 32mm (1 1/4") size
- Offset wheelchair waste strainer
- Open grid
- Cast brass
- 127mm(5.0") fixed centers
- Chrome Finish
- Less overflow holes
- 7 hole grid pattern

OPERATION:

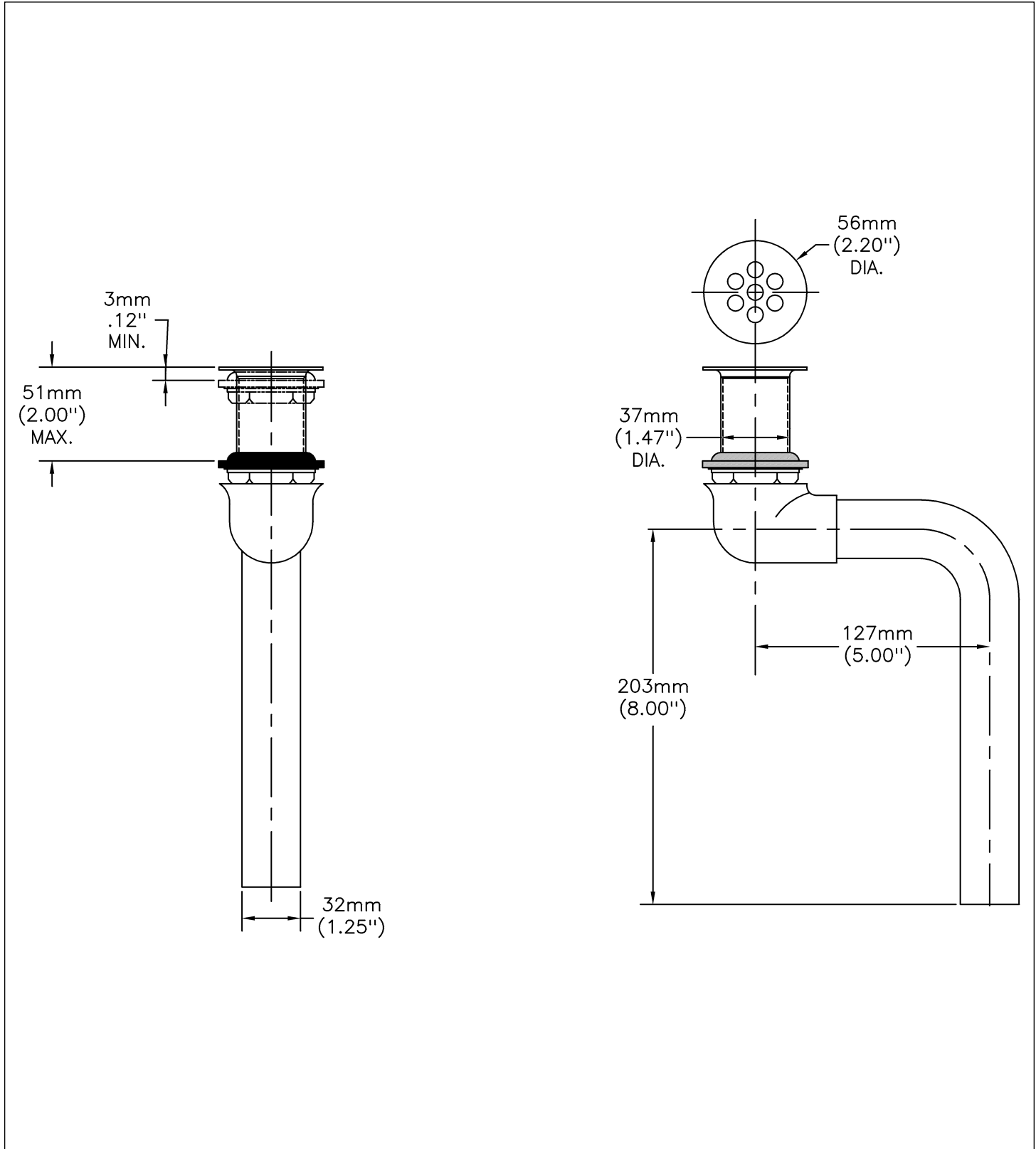
- Not Available

(Dimensional drawing on following page)

Delta reserves the right (1) to make changes to specifications and materials, and (2) to change or discontinue models, both without notice or obligation. Dimensions are for reference. Measurement may vary plus or minus 6mm(0.25"). Mounting locations are suggested only. Check with local codes for requirements in your area. This spec was produced April 09, 2012.

Delta Faucet Company - 55 East 111th St. - Indianapolis, Indiana, USA 46280 - (317) 848-1812
Delta Faucet Canada - 395 Matheson Blvd E - Mississauga, Ontario, Canada L4Z 2H2 - (905) 712-3030

Model No: 33T290-1



Delta reserves the right (1) to make changes to specifications and materials, and (2) to change or discontinue models, both without notice or obligation. Dimensions are for reference. Measurement may vary plus or minus 6mm(0.25"). Mounting locations are suggested only. Check with local codes for requirements in your area. This spec was produced April 09, 2012.

Delta Faucet Company - 55 East 111th St. - Indianapolis, Indiana, USA 46280 - (317) 848-1812
 Delta Faucet Canada - 395 Matheson Blvd E - Mississauga, Ontario, Canada L4Z 2H2 - (905) 712-3030