

Mixing Faucets – Deckmount

TECK[®]
COMMERCIAL



Features:

- Fits a maximum 1-1/4" diameter holes (7/8" diameter holes recommended)
- Teck[®] rigid/swivel gooseneck
 - unique design permits field installation as a rigid or swivel gooseneck
 - heavy-duty gooseneck made from seamless brass pipe
- All brass body with vandal resistant dual shanks to prevent damage to counter top
- Raised lockwasher to provide positive gripping during installation
- Teck[®] Lab structure
- C.P. renewable brass seat
- Two handle variations
 - 2 arm Teck[®] Lab handle
 - ADA compliant 2-3/4" lever blade handle
- Two vacuum breaker variations
 - Angled atmospheric vacuum breaker. Brass construction with durable silicone disk allowing high heat and water hammer shock resistance. Provides superior performance when used with aspirator assemblies
 - Dual check in-line vacuum breaker resulting in above average flow rate and consequently lower pressure loss

2 Arm Lab Handle Product

With Gooseneck Spout

- W6700**
Deckmount mixing faucet with rigid/swivel gooseneck complete with 1/4" I.D. 10 serration nozzle, dual shanks, locknuts, lockwashers, 2 arm lab handles, Teck[®] Lab structures, C.P. renewable brass seats, 1/4" NPT tailpiece and coupling nuts
- W6700-8**
As W6700, but with 2.2 USGPM (8.3 L/min.) flow control aerator
- W6700-9**
As W6700, but with in-line dual check vacuum breaker and nozzle

With Angle Vacuum Breaker Spout

- W6700-10**
Deckmount mixing faucet with rigid/swivel angle vacuum breaker spout, complete with 1/4" I.D. 10 serration nozzle, dual shanks, locknuts, lockwashers, 2 arm lab handles, Teck[®] Lab structures, C.P. renewable brass seats, 1/4" NPT tailpiece and coupling nuts
- W6700-12**
As W6700-10, but with C.P. Aspirator (filter pump) having serrated hose-end connection at both suction and discharge ends



ADA Compliant 2-3/4" Lever Blade Handle Product



With Gooseneck Spout

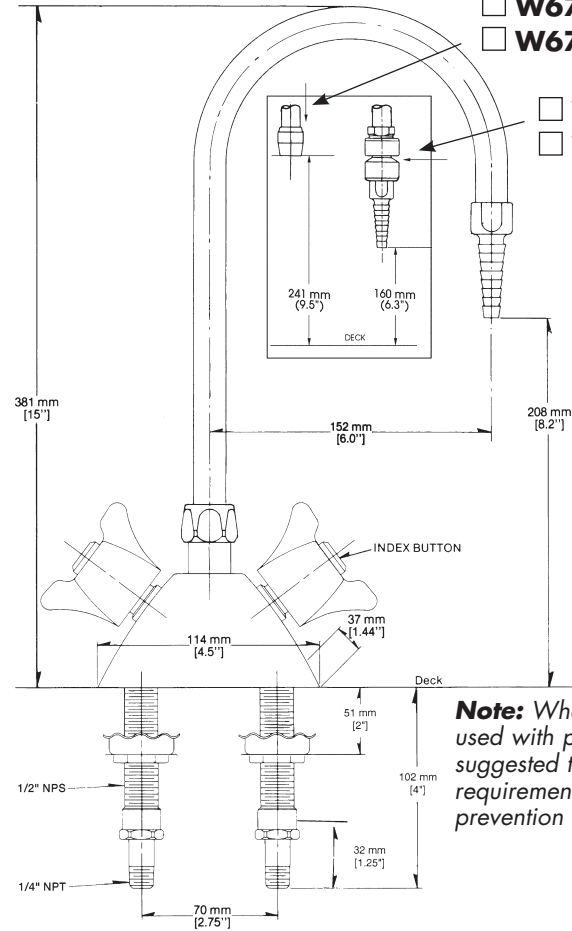
- W6700-C**
Deckmount mixing faucet with rigid/swivel gooseneck complete with 1/4" I.D. 10 serration nozzle, dual shanks, locknuts, lockwashers, ADA compliant 2-3/4" lever blade handles, Teck[®] Lab structures, C.P. renewable brass seats, 1/4" NPT tailpiece and coupling nuts
- W6700-8-C**
As W6700-C, but with 2.2 USGPM (8.3 L/min.) flow control aerator
- W6700-9-C**
As W6700-C, but with in-line dual check vacuum breaker and nozzle

With Angle Vacuum Breaker Spout

- W6700-10-C**
Deckmount mixing faucet with rigid/swivel angle vacuum breaker spout, complete with 1/4" I.D. 10 serration nozzle, dual shanks, locknuts, lockwashers, ADA compliant 2-3/4" lever blade handles, Teck[®] Lab structures, C.P. renewable brass seats, 1/4" NPT tailpiece and coupling nuts
- W6700-12-C**
As W6700-10-C, but with C.P. Aspirator (filter pump) having serrated hose-end connection at both suction and discharge ends

- W6700** (2 Arm – shown)
- W6700-C** (Lever)

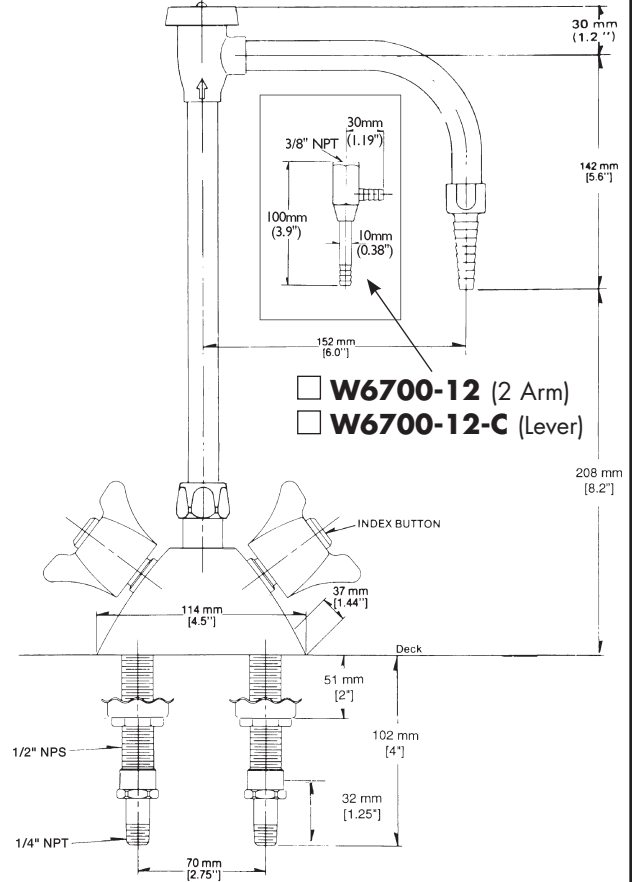
- W6700-8** (2 Arm)
- W6700-8-C** (Lever)
- W6700-9** (2 Arm)
- W6700-9-C** (Lever)



Maximum
1 1/4" Diameter
Shank Holes,
7/8" Diameter
Recommended

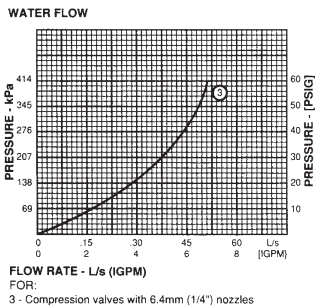
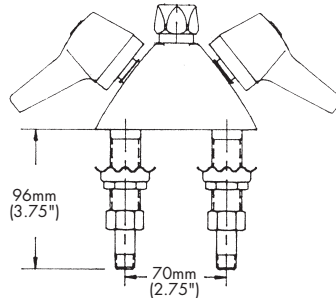
Note: When product is used with potable water, it is suggested that plumbing code requirements for back-flow prevention be reviewed.

- W6700-10** (2 Arm – shown)
- W6700-10-C** (Lever)



- W6700-12** (2 Arm)
- W6700-12-C** (Lever)

2-3/4" Lever Blade Handle Product



FOR OPTIONAL RIGID/SWIVEL SPOUTS
See DSP-LABSPOpt for detailed specification (Found in the "Add-On Option" section when using the printed spec binder)

Approvals and Standards Met:

CSA certified to B125 with compliance to ASME A112.18.1

ADA compliant and meets Handicapped Accessibility Standard ASME A117.1 of less than 5 lbs. operating force when 2-3/4" lever blade handle is used

In-line VB tested and approved in conformance with ASSE 1035 "Laboratory Faucet Vacuum Breakers".

CSA certified to B64.7

Angle VB tested and approved in conformance with ASSE 1001 and CSA B64.1.1

Note: Measurements may vary ± 6mm (0.25")