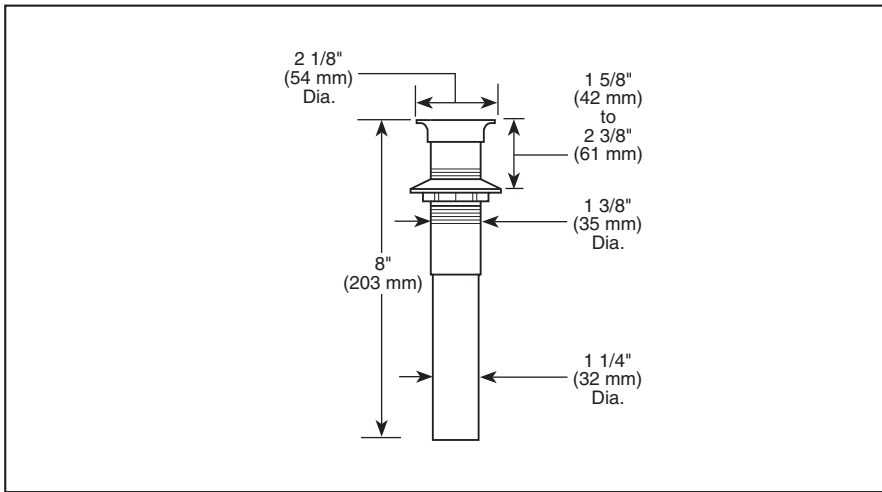


RP47648 ▲

Submitted Model No.: _____

Specific Features: _____



▲ = Designate Proper Finish Suffix



GRID STRAINER ASSEMBLY

- For Vessel Sink Applications Less Overflow Holes

STANDARD SPECIFICATIONS:

- For vessel sink applications less overflow holes.

WARRANTY

- Lifetime Faucet and Finish Limited Warranty to the original consumer purchaser to be free from defects in material and workmanship.
- 5 Year Limited Warranty for usage in all industrial, commercial and business applications.

COMPLIES WITH:



55 E. 111th Street, Indianapolis, Indiana 46280
 395 Matheson Blvd. E., Mississauga, ON L4Z 2H2
 © 2009 Masco Corporation of Indiana