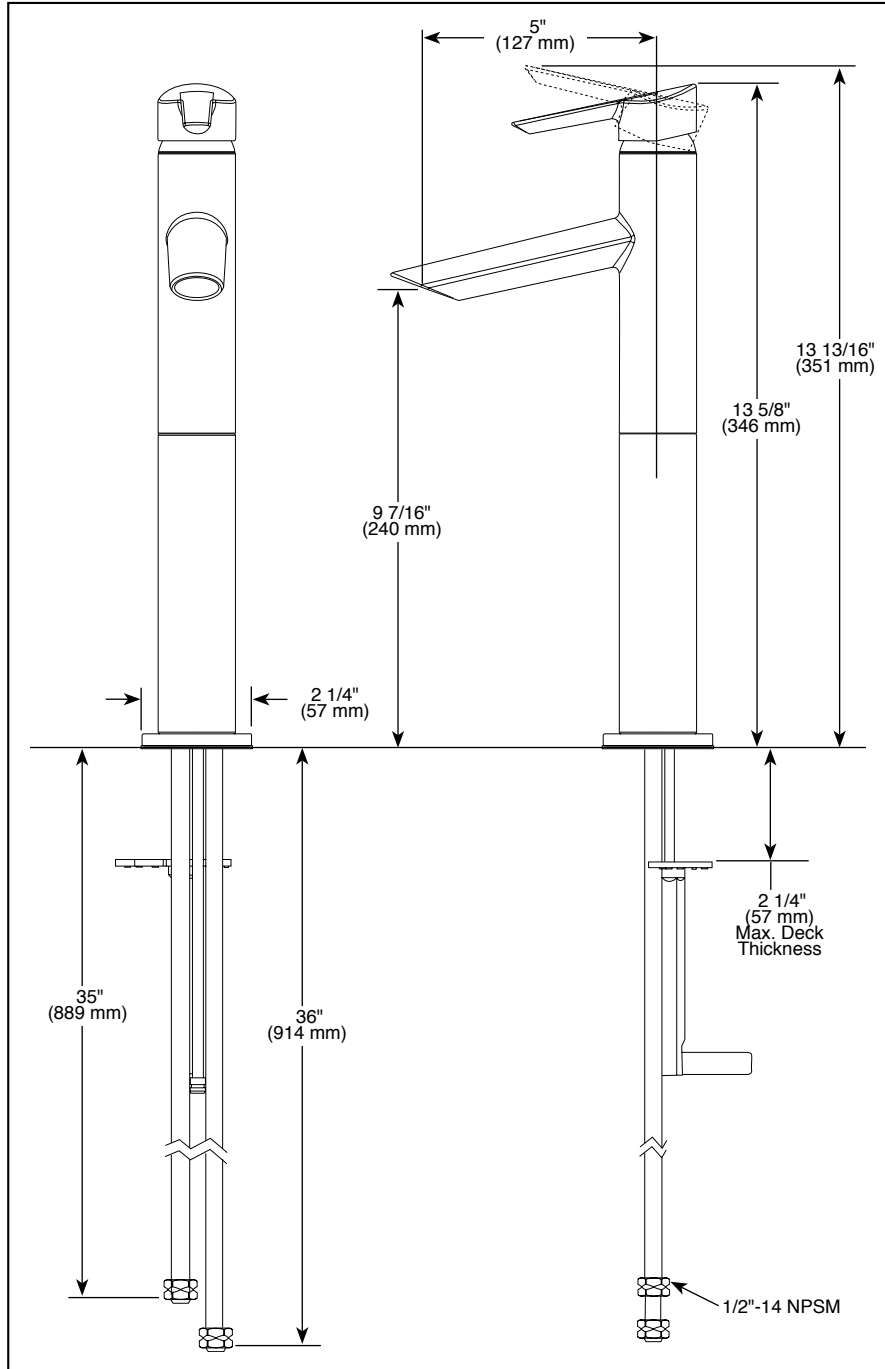


Submitted Model No.: \_\_\_\_\_  
 Specific Features: \_\_\_\_\_



▲ Designate Proper Finish Suffix

Delta reserves the right (1) to make changes in specifications and materials, and (2) to change or discontinue models, both without notice or obligation. Dimensions are for reference only. See current full-line price book or www.specselect.com for finish options and product availability.



# LAVATORY FAUCETS

- Compel™ Collection
- Single Handle Deck Mount
- 1 Hole Mount
- 6 1/4" Riser

## STANDARD SPECIFICATIONS:

- Single handle lavatory deck faucet.
- 1 hole mount.
- Solid brass fabricated spout.
- Lever handle. Control mechanism is the diamond embedded ceramic disc cartridge.
- Control handle shall return to neutral position when valve is turned off.
- Red/blue markings on handle for hot/cold identification.
- 5" (127 mm) long spout.
- Ceramic cartridge.
- Models have 3/8" O.D. PEX supply tubes straight/ staggered 35" and 36" long.
- Models have maximum 1.5 gpm flowrate @ 60 PSI.

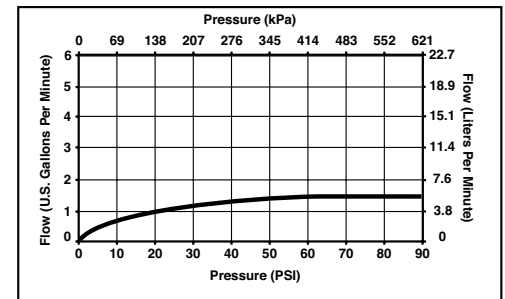
## WARRANTY

- Lifetime Faucet and Finish Limited Warranty to the original consumer purchaser to be free from defects in material and workmanship.
- 5 Year Limited Warranty for usage in all industrial, commercial and business applications.



## COMPLIES WITH:

- ASME A112.18.1 / CSA B125.1
- Indicates compliance to ICC/ANSI A117.1
- EPA WaterSense®
- Verified compliant with .25% weighted average Pb content regulations.



55 E. 111th Street, Indianapolis, Indiana 46280  
 350 South Edgeware Road, St. Thomas, ON N5P 4L1  
 © 2012 Masco Corporation of Indiana