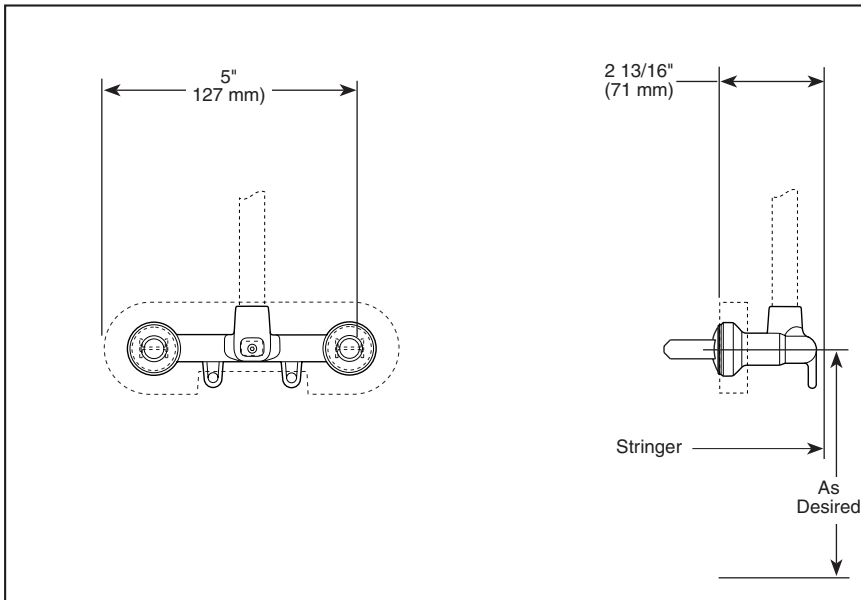


R1817

Submitted Model No.: _____

Specific Features: _____



JETTED SHOWER ROUGH MODULE

■ Jet Module Rough Only (R1817)

STANDARD SPECIFICATIONS

- Requires 1 1/2" (38 mm) wall cavity.
- Solid brass body.
- Back-to-back installation capability.
- Adjusts for up to 1 1/4" (32 mm) wall thickness.
- The orientation of the inlet is not important.
- Additional outlet option for jetted shower XO™ series.

WARRANTY

- Lifetime Faucet and Finish Limited Warranty to the original consumer purchaser to be free from defects in material and workmanship.
- 5 Year Limited Warranty for usage in all industrial, commercial and business applications.



COMPLIES WITH:

- ANSI/ASME A112.18.1 / CSA B125.1

Delta reserves the right (1) to make changes in specifications and materials, and (2) to change or discontinue models, both without notice or obligation. Dimensions are for reference only. See current full-line price book or www.specselect.com for finish options and product availability.

DSP-B-R1817 Rev. B



55 E 111th Street, Indianapolis, Indiana 46280
395 Matheson Blvd. E., Mississauga, ON L4Z 2H2
© 2010 Masco Corporation of Indiana