

Electronic Activated Flush Valve 1600T and 1601T Series

TECK[®]
COMMERCIAL



Specification: (example)

- **Battery** (4 'C' cell) or **Hardwire** (24 VAC) infrared electronic activated concealed flushvalve system
 - Stainless steel cover with integral sensor utilizing **H₂OPTICS[®]** technology and S/S vandal resistant mounting screws
 - Metal mounting box or frame, power function light, field selectable sensor range
 - Preset blocking time, built-in activation delay
 - Electronic manual override
 - Solenoid operation valve
- and... with... (add for fixture type required)
with... (add control/sensor box required)
with... (transformer – specify separately – See Back Page)



**1600T6104RI &
1600T6104TR**

Engineer/Architect Approval

Model Specified:

Approval:

Date:

DESCRIPTION	PRODUCT NO.				
Hardwire	1600T	6	0	0	RI
Hardwire	1600T	6	0	0	TR
Battery	1601T	6	0	0	RI
Battery	1601T	6	0	0	TR
Hardwire with Battery Backup	1600T	6	0	0	RI
Hardwire with Battery Backup	1600T	6	0	0	TR

For flush volume options – see back of this page

Note: Rough-in and Trim Ordered Separately.

-BB Required on "TR" Only.



FIXTURE TYPE	NOT APPLICABLE	CONTROL/SENSOR BOX
0 <input type="checkbox"/>	0 <input checked="" type="checkbox"/>	0 <input type="checkbox"/>
1 TOILET - Back Inlet, - Wallhung, - 1-1/2" Spud <input type="checkbox"/>	1 <input type="checkbox"/>	1 <input type="checkbox"/>
2 TOILET - Back Inlet, - Free Standing, - 1-1/2" Spud <input type="checkbox"/>	2 <input type="checkbox"/>	2 For RECESSED MOUNTING Components ASSEMBLED w/Flushvalve in 12 x 18" Frame, w/Integral Sensor in 14 x 20" S/S Cover. SEE Specification Drawing #17 <input type="checkbox"/>
3 TOILET - Top Inlet, - Free Standing or Wallhung, - 1-1/2" Spud <input type="checkbox"/>	3 <input type="checkbox"/>	3 For RECESSED MOUNTING Components ASSEMBLED w/Flushvalve in 12" Frame, w/Integral Sensor in 14" S/S Cover. SEE Specification Drawing #17 <input type="checkbox"/>
4 URINAL - Back Inlet (1), - 3/4" Spud, - Syphon Jet Type <input type="checkbox"/>	4 <input type="checkbox"/>	4 For RECESSED MOUNTING Components ASSEMBLED w/Flushvalve, 4" Box, w/Integral Sensor in S/S Cover. SEE Specification Drawing #17 <input type="checkbox"/>
5 <input type="checkbox"/>	5 <input type="checkbox"/>	5 <input type="checkbox"/>
6 <input type="checkbox"/>	6 <input type="checkbox"/>	6 <input type="checkbox"/>
7 <input type="checkbox"/>	7 <input type="checkbox"/>	7 <input type="checkbox"/>
8 <input type="checkbox"/>	8 <input type="checkbox"/>	8 <input type="checkbox"/>
9 <input type="checkbox"/>	9 <input type="checkbox"/>	9 <input type="checkbox"/>

(1) When used for TOP Inlet Urinal Fixture – Exposed Tubing, Flanges, Elbow, etc. **Supplied by Others.** Refer to www.specselect.com for individual models.

Note: Use this page front and back, with specification drawing page referenced above, as product submittal sheets.



TECK[®]
COMMERCIAL

Electronic Activated Flush Valve 1600T and 1601T Series

Approvals:

- CSA certified
- ADA Compliant and meets Handicapped Accessibility Standard ASME A117.1 of less than 5 lbs. handle operating force.
- Complies to ASSE Standard 1037 (Contact Delta Representative for State and/or Local Approvals.)



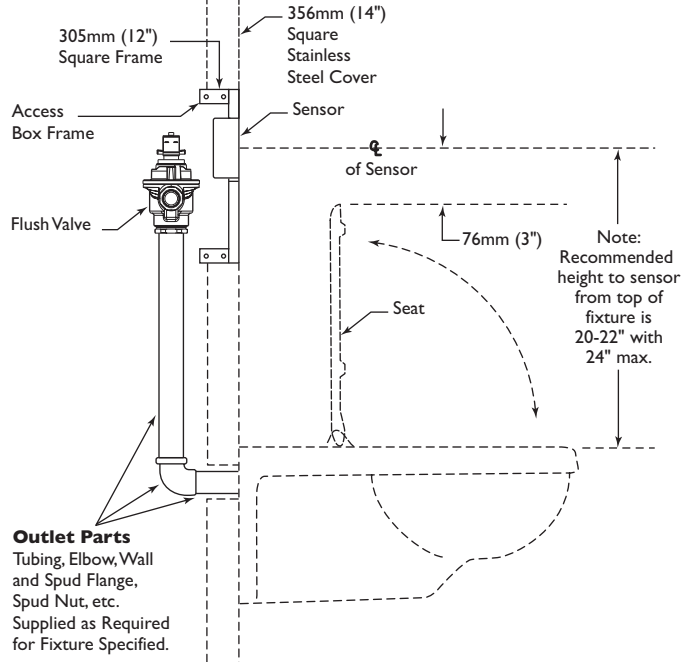
W.C. OPERATION:

- 8 second blocking time.
- 4 second activation delay.
- Adjustable flush volume using adjustment screw on flushvalve.
- Selectable sensing distance: 24 to 56" in 8" increments
Factory set to 40"
- 24 hour courtesy flush factory set to off.

URINAL OPERATION:

- 8 second blocking time.
- 0 second activation delay.
- Adjustable flush volume using adjustment screw on flushvalve.
- Selectable sensing distance: 12 to 28" in 4" increments
Factory set to 20"
- Adjustable 24 hour courtesy flush factory set to on.

1600T6103RI AND 1600T6103TR TYPICAL INSTALLATION



"RI" ROUGH-IN MODELS

Supplied as complete flush valve and wall box or wall access frame

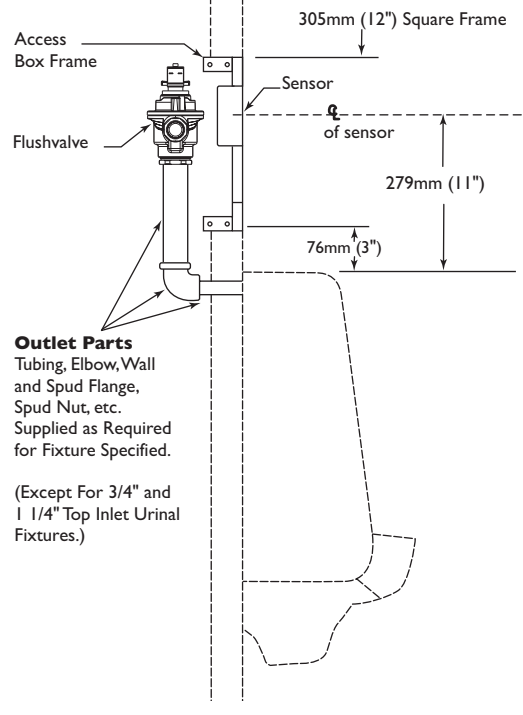
"TR" TRIM MODELS

Supplied as sensor and over-ride button attached to stainless steel cover

HARDWIRE WITH BATTERY BACKUP

Add suffix **"-BB"** to TR Product Number.
See DSP-BB for detailed specification (found in the "Add-On Option" section when using the printed spec binder).

1600T6403RI AND 1600T6403TR TYPICAL INSTALLATION



FLUSH VOLUME OPTIONS

Fixture # 1, 2 or 3 (Factory set at 60 psi)

Suffix	Add Suffix to "RI" Product Number
None	6 litre (1.6 US gal) Adjustable
-6	6 litre (1.6 US gal) Not field adjustable
-48	4.8 litre (1.27 US gal) Not field adjustable

FLUSH VOLUME OPTIONS

Fixture # 4 (Factory set at 60 psi)

Suffix	Add Suffix to "RI" Product Number
None	1.9 litre (0.5 US gal) Adjustable
-38	3.8 litre (1.0 US gal) Not field adjustable
-19	1.9 litre (0.5 US gal) Not field adjustable
-05	0.5 litre (0.13 US gal) Not field adjustable

1600T ELECTRONIC FLUSH VALVE OPTIONAL ACCESSORIES:

✓	TRANSFORMERS:
	060704A 110 to 24VAC Class II 20VA (For 5 Sensor Modules)
	060771A 110 to 24VAC Class II 40VA (Up to 10 Sensor Modules)
	060772A 110 to 24VAC Class II 100VA (Up to 25 Sensor Modules)
✓	CORDS:
	060680A 4' Solenoid Extension Wire
✓	HARDWIRE CONVERTER:
	060683A 24VAC to 6VDC Converter (Supplied standard on Hardwire models)
	061047A 24VAC to 6VDC Converter with Battery Backup (Standard on "-BB" models)

Note: Measurements may vary ± 6mm (0.25")

Refer to www.specselect.com for individual models.
Product supplied as shown by solid lines. All items shown by dotted lines supplied by others.

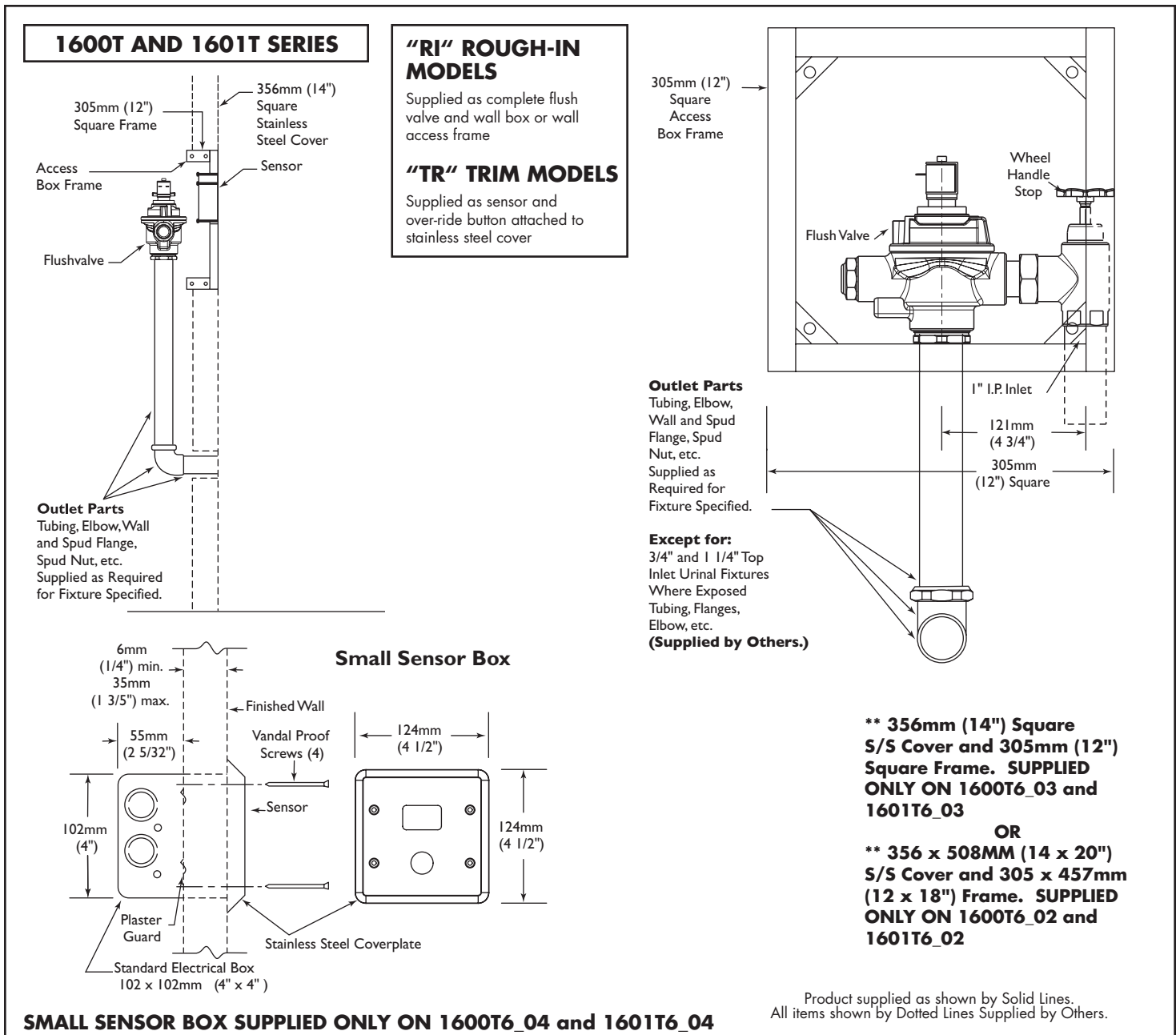
Delta reserves the right (1) to make changes in specifications and materials, and (2) to change or discontinue models, both without notice or obligation. Dimensions are for reference only. See current full-line price book or www.specselect.com for finish options and product availability.

CONCEALED FLUSH VALVE INSTALLATION (RECESSED MOUNT)

1600T AND 1601T SERIES

✓	PRODUCT NO.				VALVE TYPE	MOUNT TYPE	COVER	
	1600T	6	0	2	Flushvalve w/Access Panel Box	Recessed Mount	356 x 508mm (14 x 20")	Stainless Steel
	1600T	6	0	3	Flushvalve w/Access Panel Box	Recessed Mount	356mm (14")	Stainless Steel
	*1600T	6	0	4	Flushvalve less Access Panel Box	Recessed Mount	124mm (4-7/8")	Stainless Steel
	1601T	6	0	2	Flushvalve w/Access Panel Box	Recessed Mount	356 x 508mm (14 x 20")	Stainless Steel
	1601T	6	0	3	Flushvalve w/Access Panel Box	Recessed Mount	356mm (14")	Stainless Steel
	*1601T	6	0	4	Flushvalve less Access Panel Box	Recessed Mount	124mm (4-7/8")	Stainless Steel

*This product is supplied with the Small Sensor Box. Note: Rough-in and Trim Ordered Separately



Note: Measurements may vary ± 6mm (0.25")