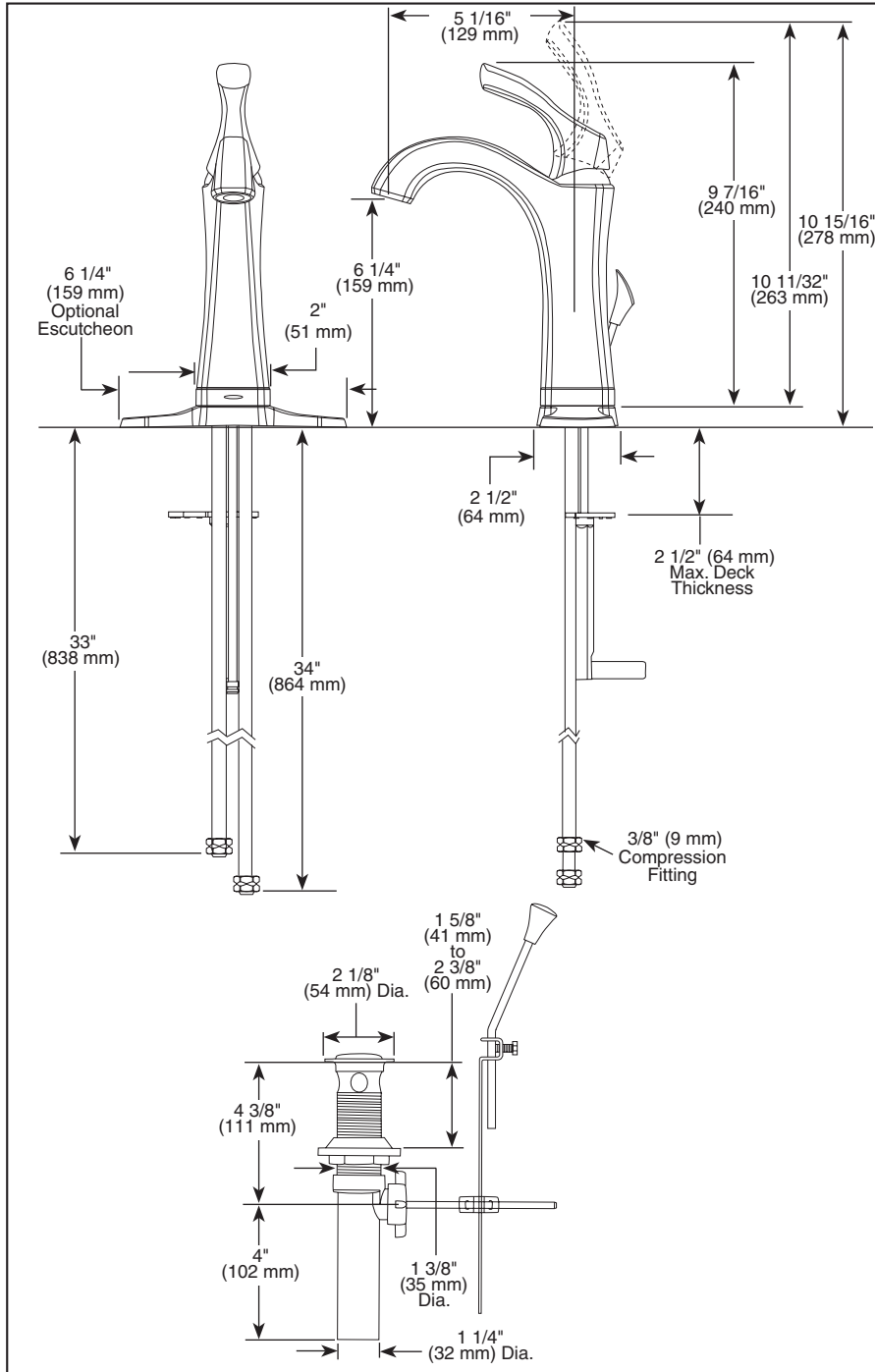


Submitted Model No.: \_\_\_\_\_  
 Specific Features: \_\_\_\_\_



▲ Designate Proper Finish Suffix

Delta reserves the right (1) to make changes in specifications and materials, and (2) to change or discontinue models, both without notice or obligation. Dimensions are for reference only. See current full-line price book or [www.specselect.com](http://www.specselect.com) for finish options and product availability.

DSP-L-592T-DST Rev. A



# LAVATORY FAUCETS

- Addison® Bath Collection
- DIAMOND Seal® Technology
- Single Handle Deck Mount
- 1 or 3 Hole Mount (Optional 6 1/4" Escutcheon Included)
- Touch20.xt™ Technology

## STANDARD SPECIFICATIONS:

- Single handle lavatory deck faucet.
- 1 or 3 hole mount (6 1/4" (159 mm) escutcheon plate included).
- Solid brass fabricated body.
- 5 1/16" (129 mm) long spout.
- 1 1/8" minimum - 1 1/2" maximum hole size.
- Lever handle. Control mechanism is the diamond embedded ceramic disc cartridge.
- Handle motion "Euro Style".
- 3/8" O.D. straight, staggered pex supply tubes 33" (838 mm) and 34" (864 mm) long.
- Maximum 1.5 gpm flowrate @ 60 PSI.
- Models include polypropylene pop-up.
- Delta Touch20.xt™ Technology or proximity sensing technology controls water flow.
- Blue light flashes for proximity activation and solid blue for touch activation.
- On-Off indicator light signals when batteries are low.
- Uses 6 AA batteries (included).

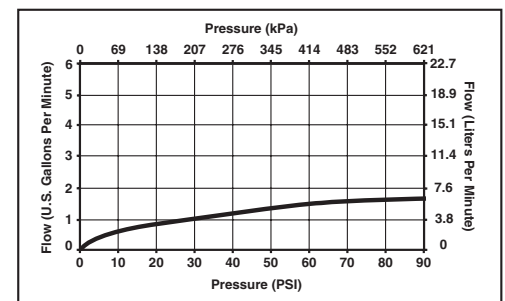
## WARRANTY

- 5 Year Limited Warranty on faucet, finish and electronics.



## COMPLIES WITH:

- ASME A112.18.1 / CSA B125.1
- ASME A112.18.2 / CSA B125.2
- Indicates compliance to ICC/ANSI A117.
- Verified compliant with .25% weighted average wetted Pb content regulations.



55 E. 111th Street, Indianapolis, Indiana 46280  
 350 South Edgeware Road, St. Thomas, ON N5P 4C4  
 © 2011 Masco Corporation of Indiana