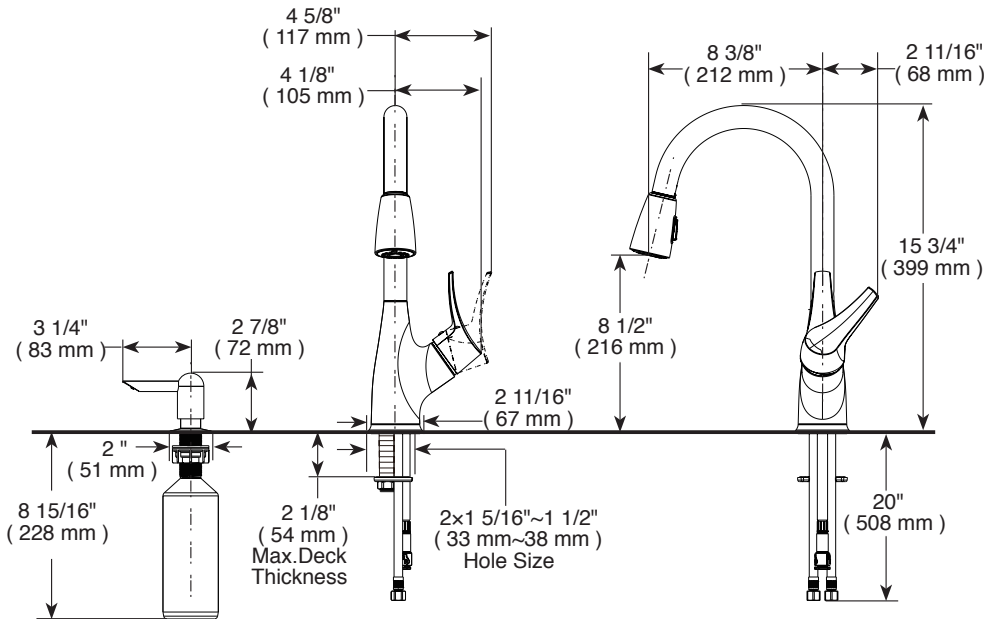
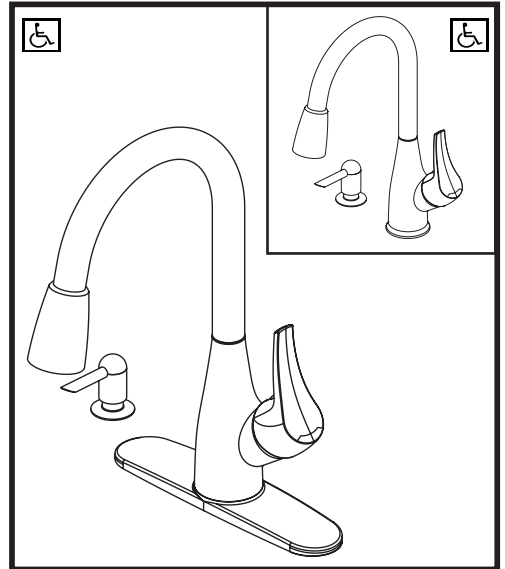
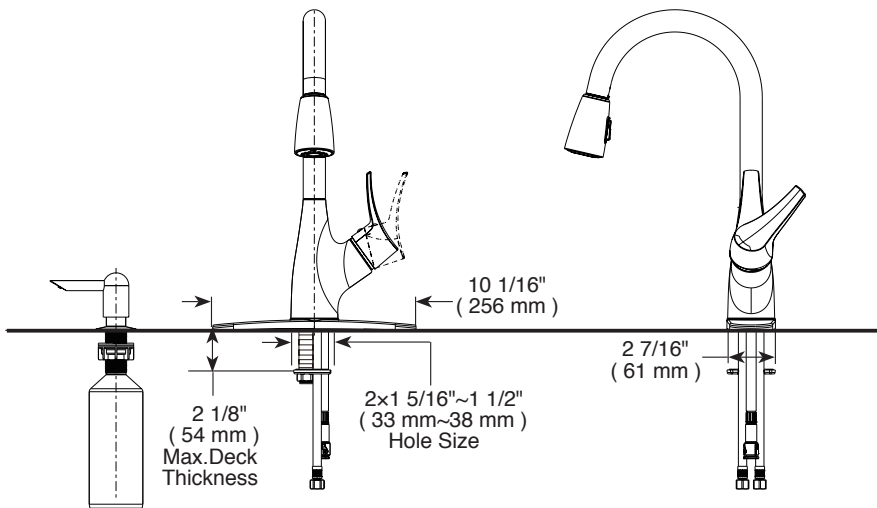


Mounting without escutcheon plate:



Mounting with escutcheon plate:



KITCHEN FAUCET:

- Single handle, lever, pull-down kitchen faucet, 2-function wand.

STANDARD SPECIFICATIONS:

- Maximum flow rate 1.8gpm @ 60 psi, 6.8 L/min @ 414kPa.
- Single handle, 2-function pull-down kitchen faucet for exposed mounting on 1,2,3,4 hole sinks (escutcheon included).
- 15 3/4" (399mm) high, 8 3/8" (212 mm) long spout, swings 360°.
- Pull-down wand operates in an aerated or spray mode via a toggle diverter with 24" (610 mm) hose.
- 20" (508 mm) supply lines with 3/8" compression threaded connection.
- Lever handle with ceramic cartridge.
- Model includes soap dispenser.

WARRANTY:

- Lifetime limited warranty on parts (other than electronic parts and batteries) and finishes; or, for commercial users, for 5 years from the date of purchase.
- 5 year limited warranty on electronic parts (other than batteries); or for commercial users, for 1 year from the date of purchase. No warranty is provided on batteries.

COMPLIES WITH:

- ASME A112.18.1 / CSA B125.1



- Verified compliant with 0.25% weighted average Pb content regulations.

