

Metering Urinal Valve for Washdown Urinals

TECK[®]
COMMERCIAL

DELTA[®]

SPECIFICATION: (example)

- **HEAVY-DUTY**, back inlet supply
- **CAST BRASS** valve for 3/4" IP spud urinal
- Polished chrome plated finish
- Delta[®] metering slow close cartridge
- Chrome plated union inlet stop
- Brass oscillating lever handle, coupling nuts, inlet cover tube
- Set screw wall flange, spud flange, outlet tube
- **1/2" universal FIP/copper sweat inlet**
For Washdown Urinals

86T505 



86T505

SPECIFICATION: (example)

- **HEAVY-DUTY**, back inlet supply
- **CAST BRASS** valve for 3/4" IP spud urinal
- Polished chrome plated finish
- Delta[®] metering slow close cartridge
- Chrome plated brass coupling nuts, inlet cover tube
- Wall flange, spud flange, outlet tube
- **1/2" universal FIP/copper sweat inlet**
For Washdown Urinals

86T500

with vandal resistant brass push button

86T502 

with brass oscillating lever handle



86T500

SPECIFICATION: (example)

- **HEAVY-DUTY**, top inlet supply
- **CAST BRASS** valve for 3/4" IP spud urinal
- Polished chrome plated finish
- Delta[®] metering slow close cartridge
- Chrome plated brass coupling nuts, spud flange, outlet tube
- **1/2" universal FIP/copper sweat inlet**
For Washdown Urinals

86T501

with vandal resistant brass push button

86T503 

with brass oscillating lever handle



86T503

SPECIFICATION: (example)

Vacuum breaker assembly for above urinal valves

86T610



86T610

Engineer/Architect Approval

Model Specified:

Approval:

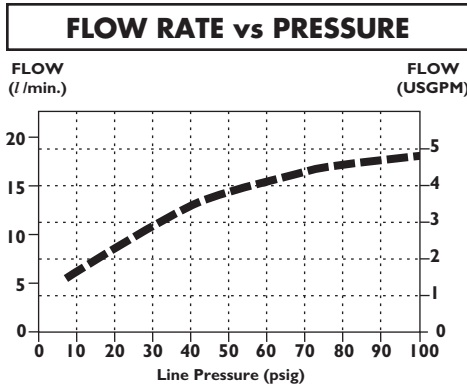
Date:

Approvals:

- CSA certified
- Lever Handle ADA Compliant and meets Handicapped Accessibility Standard ASME A117.1 of less than 5 lbs. operating force.



(Contact Delta Representative for State and/or Local Approvals.)



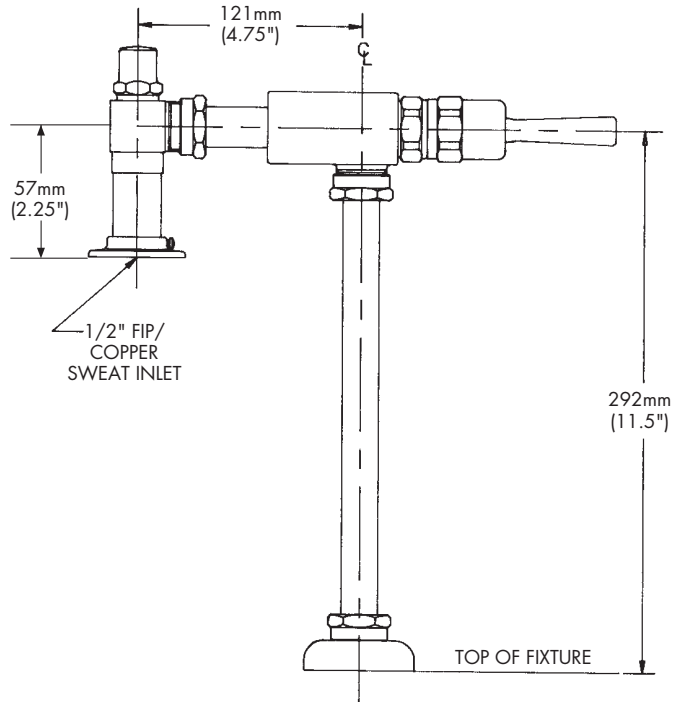
Extensions Available for Inlet Centers and for Outlet Tube Heights

INLETS - 1/2" FIP/Copper

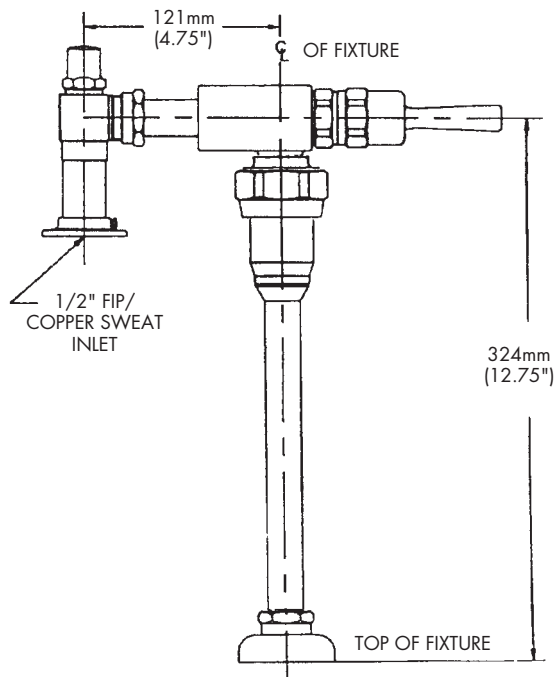
Note: Measurements may vary \pm 6mm (0.25")

Refer to www.specselect.com for individual models.

86T505



86T505 with 86T610



Note: Use this page front and back as a product submittal sheet.