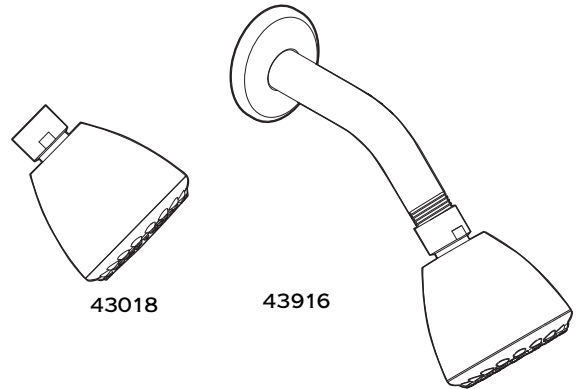




A Moen Incorporated Brand

Models:  
43018 series  
43916 series

**Baystone™**



## Showerhead, Arm and Flange

### DESCRIPTION

- Fixed mount showerhead with single spray pattern
- Nonmetallic spray face and shell
- Brass swivel ball assembly
- Available in various finishes identified by suffix

### FLOW

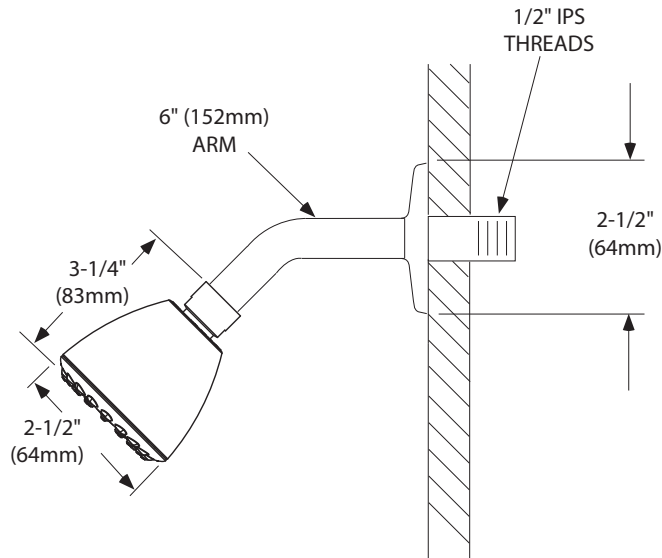
- Designed to deliver 2.5 gpm max (9.5 L/min) at 80 psi

### STANDARDS

- Third party certified to CSA B125.1, ASME A112.18.1 and all applicable requirements referenced therein

### WARRANTY – RESIDENTIAL, COMMERCIAL

- Ten year limited warranty against defects in materials and manufacturing workmanship
- Refer to the installation instructions enclosed with each CFG product or call 1-888-450-4910 for complete warranty information



## CRITICAL DIMENSIONS

(DO NOT SCALE)