

MECHANICAL FAUCETS

928-VRLHCP

Water Faucets

Product Type

Deck Mounted Single Hole Vandal Proof Single Inlet Cold Water Faucet for Left Hand Operation with Vacuum Breaker

Features & Specifications

- Single Hole
- 6" Rigid / Swing Gooseneck Spout with Atmospheric Vacuum Breaker
- Full Flow Nozzle
- 2-1/2" Vandal Proof Cross Handle
- Slow Compression Operating Cartridge
- 1/2" NPSM Supply Inlets and Coupling Nut for 3/8" or 1/2" Flexible Riser
- Atmospheric Vacuum Breaker, Not Intended for Continuous Pressure Applications
- All Threaded Connections Factory Assembled
- Anti-Rotational Body Deck Pin to Prevent Turning
- Atmospheric Vacuum Breaker, Not Intended for Continuous Pressure Applications

Performance Specification

- Rated Operating Pressure: 20-125 PSI
- Rated Operating Temperature: 40-140°F

Warranty

- Lifetime Limited Faucet Warranty
- 5-Year Limited Cartridge Warranty
- 1-Year Limited Finish Warranty

Codes & Standards

- ASME A112.18.1/CSA B125.1

Job Name _____

Item Number _____

Section/Tag _____

Model Specified _____

Architect _____

Engineer _____

Contractor _____

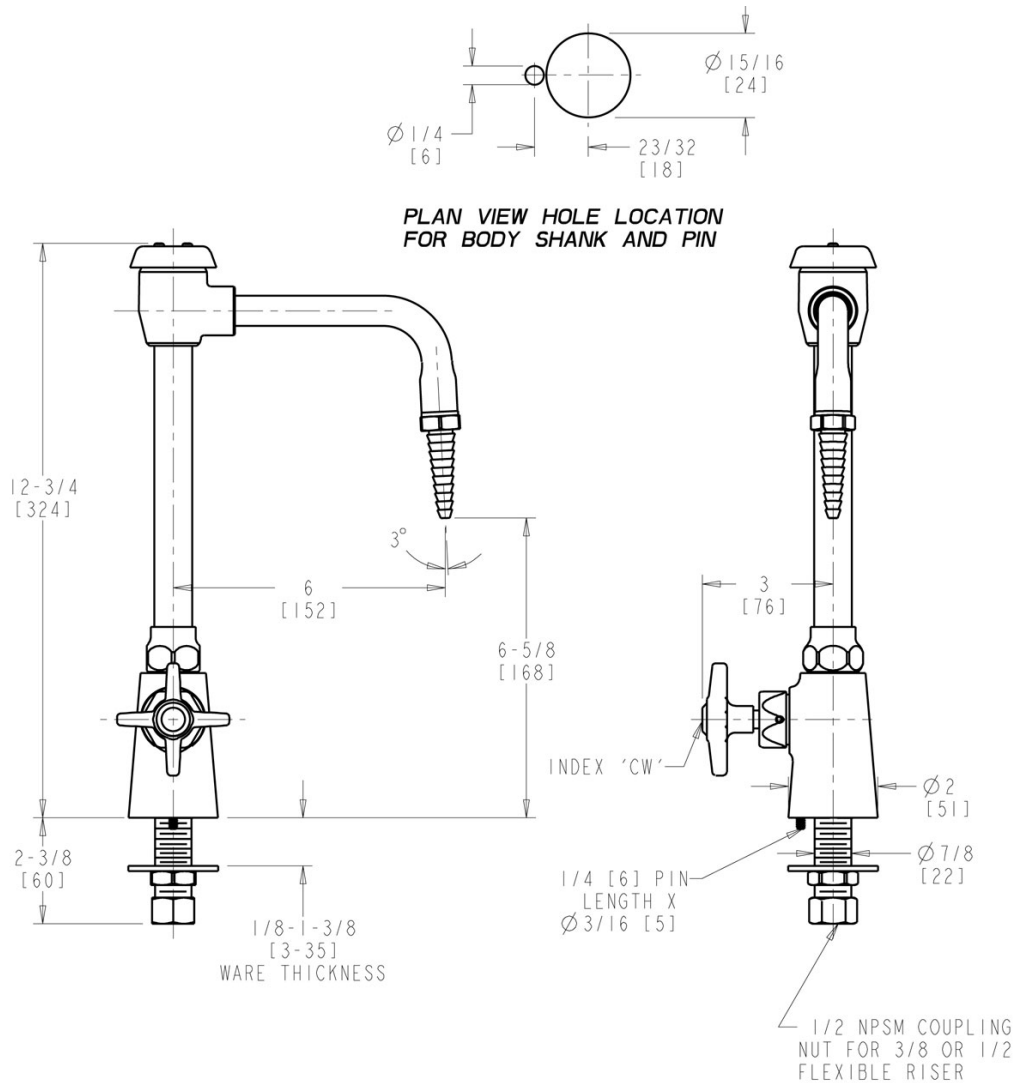
Submitted as Shown Submitted with Variations

Date _____



Architect/Engineer Specification

Chicago Faucets No. 928-VRLHCP, Deck Mounted Single Hole Vandal Proof Single Inlet Cold Water Faucet for Left Hand Operation with Vacuum Breaker, Chrome Plated solid brass construction. 6" Center to Center Rigid / Swing Gooseneck Spout with Atmospheric Vacuum Breaker. Full Flow Laboratory Serrated Nozzle. 2-1/2" Metal Vandal Proof Cross handle(s) with Eight Point Tapered Broach and CW Button. Slow compression rebuildable cartridge, opens and closes 360° for fine adjustment, closes with water pressure, features square tapered stem. 1/2" NPSM Supply Inlets and Coupling Nut for 3/8" or 1/2" Flexible Riser. Atmospheric Vacuum Breaker, Not Intended for Continuous Pressure Applications. All Threaded Connections Factory Assembled. Anti-Rotational Body Deck Pin to Prevent Turning. Atmospheric Vacuum Breaker, Not Intended for Continuous Pressure Applications. .



Operation and Maintenance

Installation should be in accordance with local plumbing codes. Flush all pipes thoroughly before installation. After installation, remove spout outlet or flow control and flush faucet thoroughly to clear any debris. Care should be taken when cleaning the product. Do not use abrasive cleaners, chemicals or solvents as they can result in surface damage. Use mild soap and warm water for cleaning and protecting the life of Chicago Faucet products. For specific operation and maintenance refer to the installation instructions and repair parts documents that are located at www.chicagofaucets.com.

Chicago Faucets, member of the Geberit Group, is the leading brand of commercial faucets and fittings in the United States, offering a complete range of products for schools, laboratories, hospitals, office buildings, food service, airports and sport facilities. Call 1.800.TECTRUE or 1.847.803.5000 Option 1 for installation or other technical assistance.



2100 South Clearwater Drive
Des Plaines, IL
P: 847/803-5000
F: 847/803-5454
Technical: 800/TEC-TRUE
www.chicagofaucets.com