

CHICAGO FAUCETS

a Geberit company

2100 South Clearwater Drive
Des Plaines, IL 60018
Phone: 847-803-5000
Fax: 847-803-5454
www.chicagofaucets.com

FOR TECHNICAL ASSISTANCE
1-800-TEC-TRUE (1-800-832-8783)

REPAIR PARTS

BY: SID DATE: 12-05-11

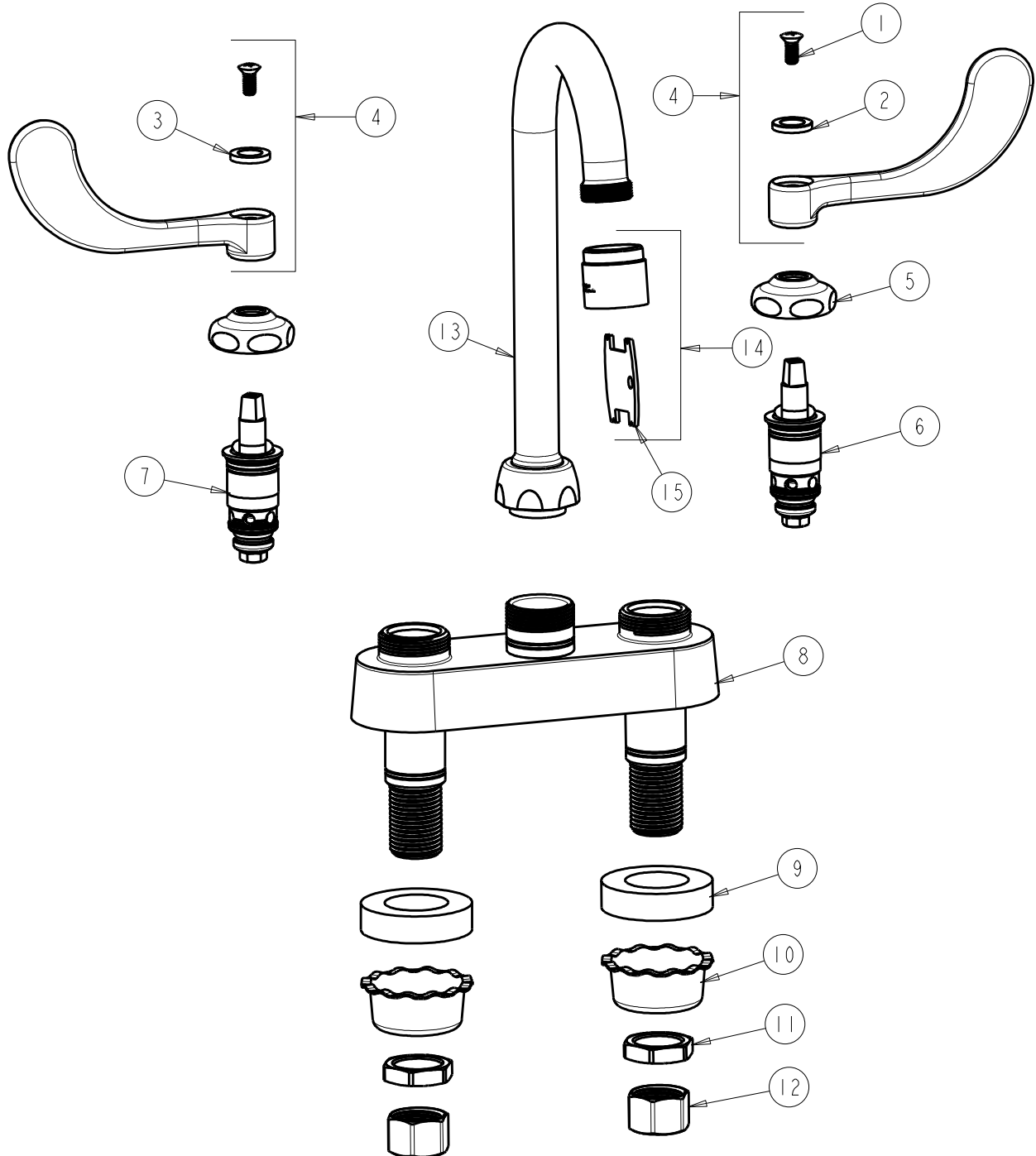
CHK: *[Signature]* REV:

FITTING NO.

895-317E36VPABCP

SUBMITTED MODEL NO.

ITEM NO.



| ITEM | PART NO. | DESCRIPTION | ITEM | PART NO. | DESCRIPTION |
|------|---------------|----------------------------------|------|--------------|-----------------------------|
| 1 | 420-010JKRCF | SCREW, 10-32 UNC PH 1/2 | 9 | 555-313JKNF | WASHER |
| 2 | 633-123JKNF | INDEX BUTTON (BLUE) | 10 | 1797-114JKNF | BASIN COCK WASHER |
| 3 | 633-023JKNF | INDEX BUTTON (RED) | 11 | 49-004JKRBF | LOCKNUT |
| 4 | 317-PRJKCP | HANDLE, 4" WRISTBLADE (PAIR) | 12 | 49-005JKRBF | COUPLING NUT |
| 5 | 1-214JKCP | CAP | 13 | GN1AJKCP | SPOUT |
| 6 | 1-099XTJKABNF | QUATURN CARTRIDGE (RH) | 14 | E36VPJKCP | LAMINAR ASSEMBLY 1.5 GPM VR |
| 7 | 1-100XTJKABNF | QUATURN CARTRIDGE (LH) | 15 | 3-024JKRCF | KEY, VP |
| 8 | — | VALVE BODY (NOT SOLD SEPARATELY) | | | |