

CHICAGO FAUCETS
a Geberit company

2100 South Clearwater Drive
Des Plaines, IL 60018
Phone: 847-803-5000
Fax: 847-803-5454
www.chicagofaucets.com

REPAIR PARTS

FITTING NO.

815-XKCP

SUBMITTED MODEL NO.

BY: JAR

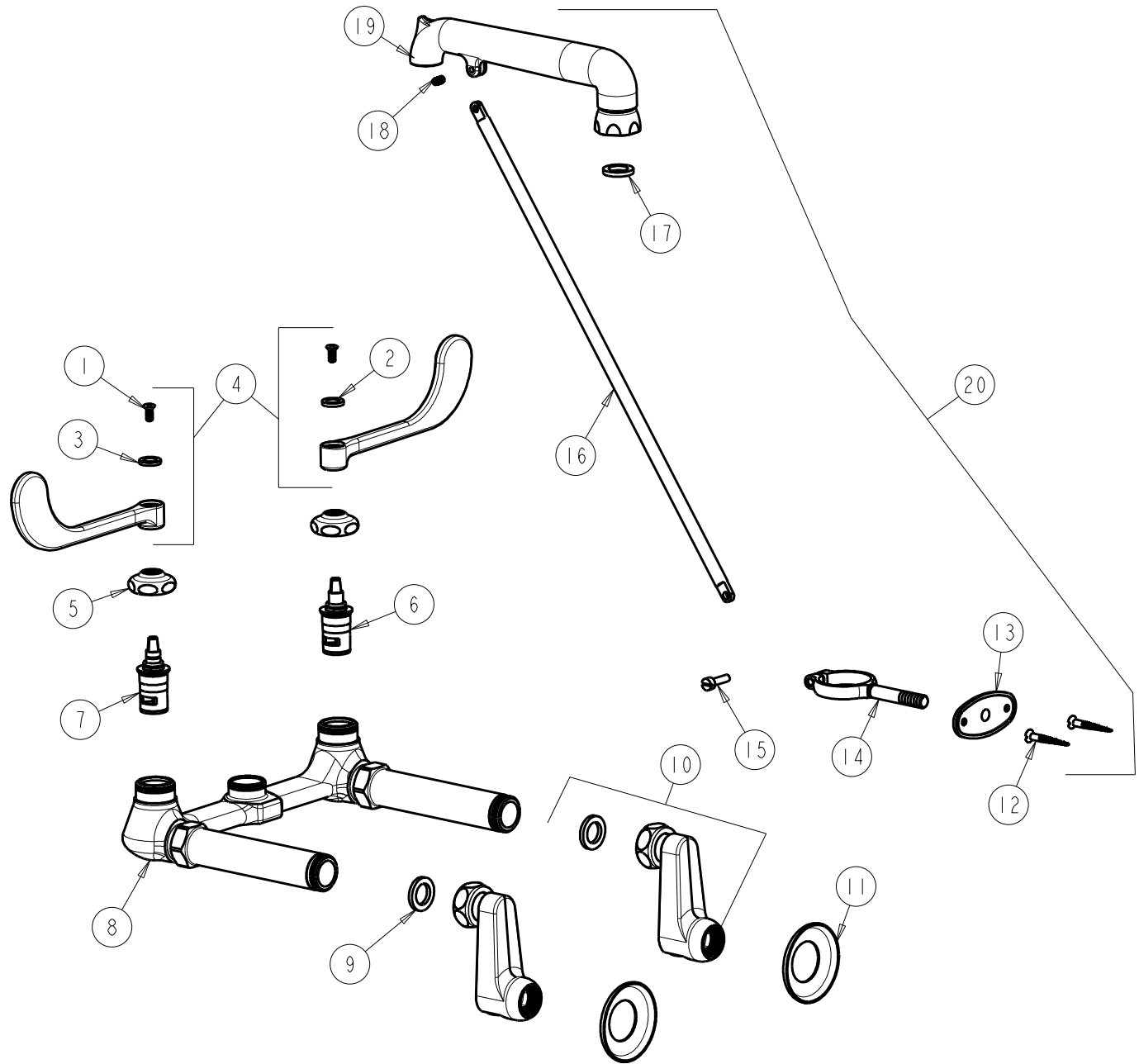
DATE: 11-08-02

CHK: *[Signature]*

REV: 11-03-11

ITEM NO.

FOR TECHNICAL ASSISTANCE
1-800-TEC-TRUE (1-800-832-8783)



ITEM	PART NO.	DESCRIPTION	ITEM	PART NO.	DESCRIPTION
1	420-010JKRCF	SCREW, 10-32 UNC PH 1/2	12	173-006JKCP	FLAT HEAD WOOD SCREW
2	633-023JKNF	INDEX BUTTON (RED)	13	173-109JKCP	FLANGE
3	633-123JKNF	INDEX BUTTON (BLUE)	14	173-010JKCP	PIPE SUPPORT
4	319-PRJKCP	WRISTBLADE HANDLE (PAIR)	15	173-012JKCP	SCREW
5	1-214JKCP	CAP	16	897-019JKCP	BRACE ROD, 16-1/2"
6	1-100XKJKNF	LH CERAMIC CARTRIDGE	17	340-004JKNF	CELCON WASHER
7	1-099XKJKNF	RH CERAMIC CARTRIDGE	18	665-116JKNF	SET SCREW
8	---	VALVE BODY (NOT SOLD SEPARATELY)	19	---	SPOUT (NOT SOLD SEPARATELY)
9	1-011JKNF	WASHER, .97 X .62 X .12	20	815-SJKCP	SPOUT WITH BRACE ROD
10	RJKABCP	SUPPLY ARM WITH BUILT-IN SHUT-OFF			
11	1-055JKCP	FLANGE			