



a Geberit company

2100 South Clearwater Drive  
Des Plaines, IL 60018  
Phone: 847-803-5000  
Fax: 847-803-5454  
www.chicagofaucets.com

**FOR TECHNICAL ASSISTANCE**  
1-800-TEC-TRUE (1-800-832-8783)

# REPAIR PARTS

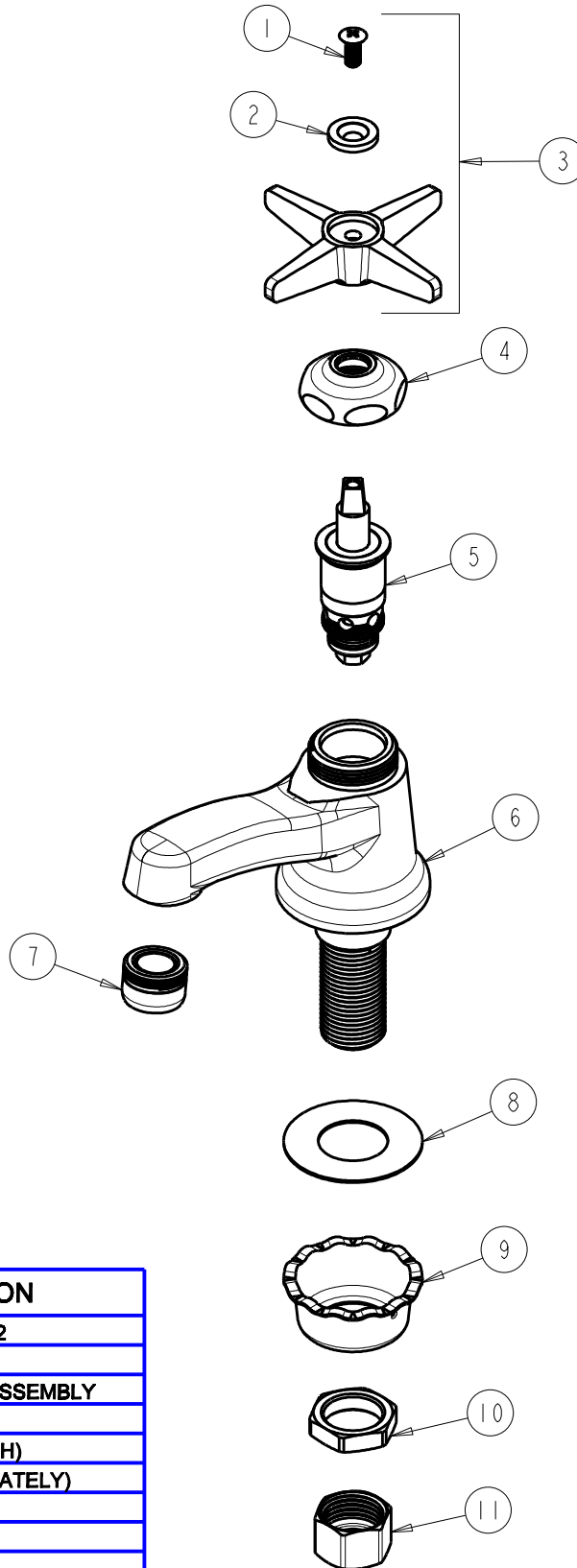
BY: SID    DATE: 06-05-12  
CHK: *[Signature]*    REV:

FITTING NO.

**700-HOTABCP**

SUBMITTED MODEL NO.

ITEM NO.



ITEM	PART NO.	DESCRIPTION
1	420-010JKRCF	SCREW, 10-32 UNC PH 1/2
2	633-023JKNF	INDEX BUTTON (RED)
3	633-HOTJKCP	4-ARM CROSS HANDLE ASSEMBLY
4	1-214JKCP	CAP
5	1-100XTJKABNF	QUATURN CARTRIDGE (LH)
6	---	BODY (NOT SOLD SEPARATELY)
7	E12JKCP	SOFTFLO OUTLET
8	333-103JKNF	RUBBER WASHER
9	1797-114JKNF	BASIN COCK WASHER
10	49-004JKRBF	LOCKNUT
11	49-005JKRBF	COUPLING NUT