

CHICAGO FAUCETS
a Geberit company

2100 South Clearwater Drive
Des Plaines, IL 60018
Phone: 847-803-5000
Fax: 847-803-5454
www.chicagofaucets.com

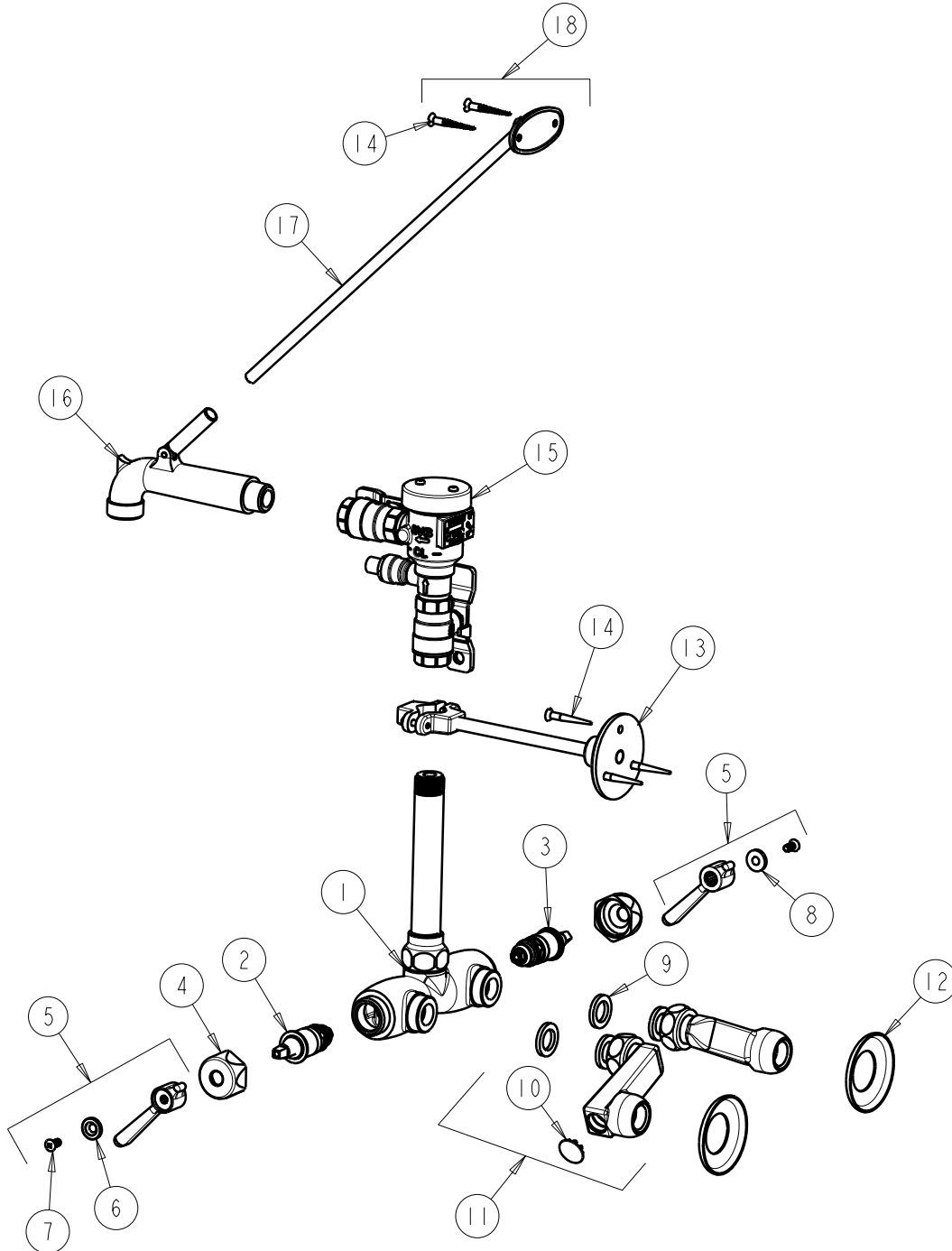
REPAIR PARTS

BY: SID DATE: 11-15-07
CHK: *[Signature]* REV: 08-30-10

FITTING NO.
445-PVBCP
SUBMITTED MODEL NO.

ITEM NO.

FOR TECHNICAL ASSISTANCE
1-800-TEC-TRUE (1-800-832-8783)



ITEM	PART NO.	DESCRIPTION	ITEM	PART NO.	DESCRIPTION
1	—	VALVE BODY (NOT SOLD SEPARATELY)	11	RCJKCP	ARM W/ BUILT-IN SHUT-OFF & CHECK
2	1-099XTJKNF	QUATURN UNIT (RH)	12	1-055JKCP	FLANGE
3	1-100XTJKNF	QUATURN UNIT (LH)	13	902-MJKCP	PIPE STRAP ASSEMBLY
4	444-005JKCP	CAP	14	173-006JKCP	FLAT HEAD SCREW
5	369-PRJKCP	LEVER HANDLE ASSEMBLY (PAIR)	15	892-044JKRCF	PRESSURE VACUUM BREAKER
6	633-123JKNF	INDEX BUTTON (BLUE)	16	897-005JKCP	CAST SPOUT ASSEMBLY
7	420-010JKRCF	SCREW, 10-32 UNC PH 1/2	17	175-005JKCP	BRACE ROD 13-3/16
8	633-023JKNF	INDEX BUTTON (RED)	18	175-005JKCP	BRACE ROD ASSEMBLY
9	1-011JKNF	WASHER, .97 X .62 X .12			
10	1-144JKCP	BUTTON			