

PARTS LIST

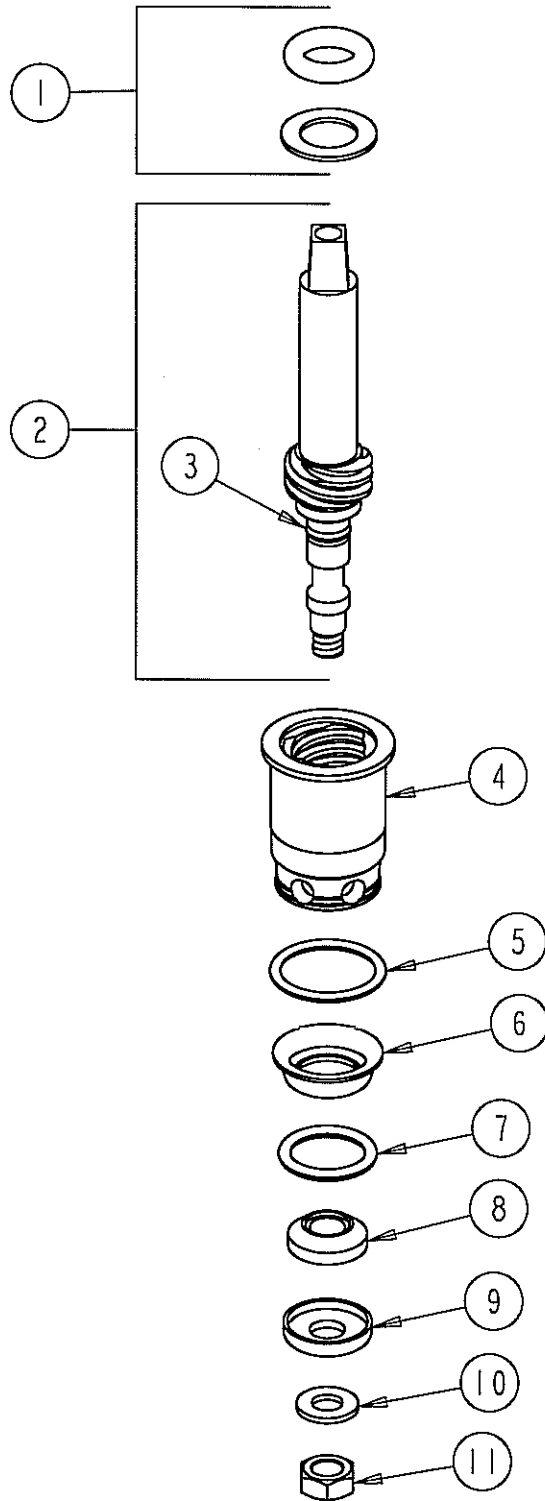


FINISH:
DATE:

NO FINISH
2-20-97

377XTLH

LEFT HAND CARTRIDGE



ITEM NO.	PART NO.	DESCRIPTION	ITEM NO.	PART NO.	DESCRIPTION
1	93-131	PACKING	7	1-328	O-RING
2	274-110K	LH QUATURN STEM	8	1-021	SEAT WASHER
3	1-219	O-RING	9	1-022	RETAINER
4	2-328	LH QUATURN SLEEVE	10	1-031	STEM WASHER
5	2-043	O-RING	11	333-097	STEM NUT
6	1-327	MONEL SEAT			