

CHICAGO FAUCETS
a Geberit company

2100 South Clearwater Drive
Des Plaines, IL 60018
Phone: 847-803-5000
Fax: 847-803-5454
www.chicagofaucets.com

REPAIR PARTS

BY: SID DATE: 01-08-07
CHK: *[Signature]* REV: 06-11-09

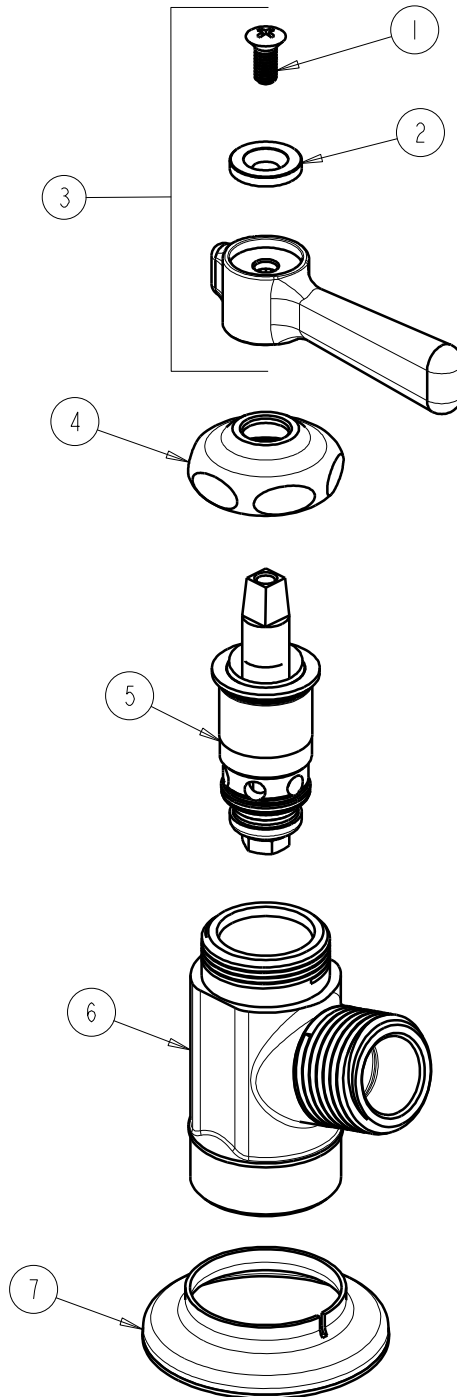
FITTING NO.

293-369COLDCP

SUBMITTED MODEL NO.

ITEM NO.

FOR TECHNICAL ASSISTANCE
1-800-TEC-TRUE (1-800-832-8783)



ITEM	PART NO.	DESCRIPTION
1	420-010JKRCF	SCREW, 10-32 UNC PH 1/2
2	633-123JKNF	INDEX BUTTON (BLUE)
3	369-COLDJKCP	LEVER HANDLE ASSEMBLY
4	1-214JKCP	CAP
5	1-099XTJKNF	QUATURN UNIT (RH)
6	---	BODY NOT SOLD SEPARATELY
7	387-012JKRCF	FLANGE, HOSE BIBB