



2100 South Clearwater Drive  
Des Plaines, IL 60018  
Phone: 847-803-5000  
Fax: 847-803-5454  
www.chicagofaucets.com

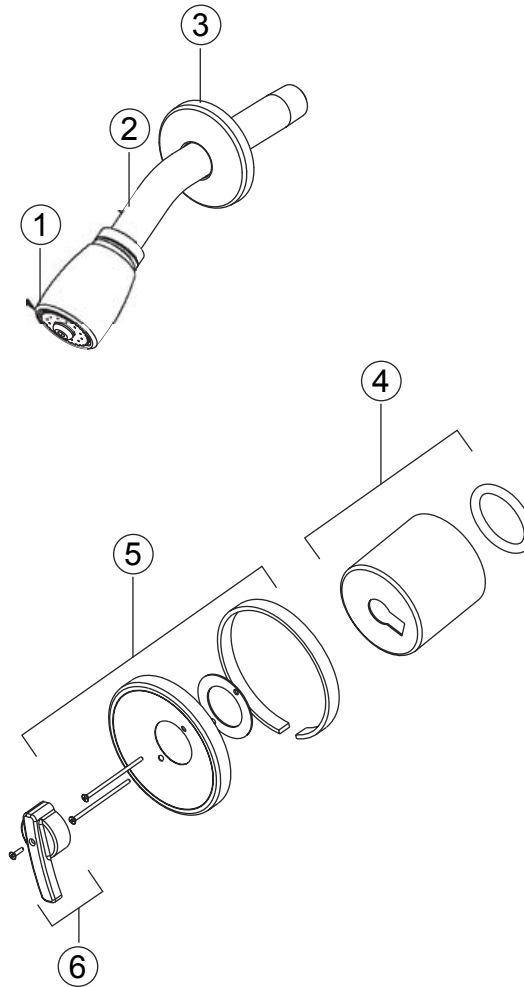
# REPAIR PARTS

BY: PT    DATE: 07-30-10  
CHK:    REV:

FITTING NO.  
**1902-TKCP**  
SUBMITTED MODEL NO.

ITEM NO.

**FOR TECHNICAL ASSISTANCE**  
**1-800-TEC-TRUE (1-800-832-8783)**



NO.	PART NO.	DESCRIPTION
1	620-CP	FOR PARTS SEE 620 SHOWERHEAD
2	415-021JKCP	SHOWER ARM
3	749-016JKCP	WALL FLANGE
4	1900-009KJKCP	PB SLEEVE KIT
5	1900-007JKCP	PB FACEPLATE KIT
6	1900-008KJKCP	PB HANDLE KIT