

CHICAGO FAUCETS
a Geberit company

2100 South Clearwater Drive
Des Plaines, IL 60018
Phone: 847-803-5000
Fax: 847-803-5454
www.chicagofaucets.com

REPAIR PARTS

FITTING NO.

116.423.AB.1

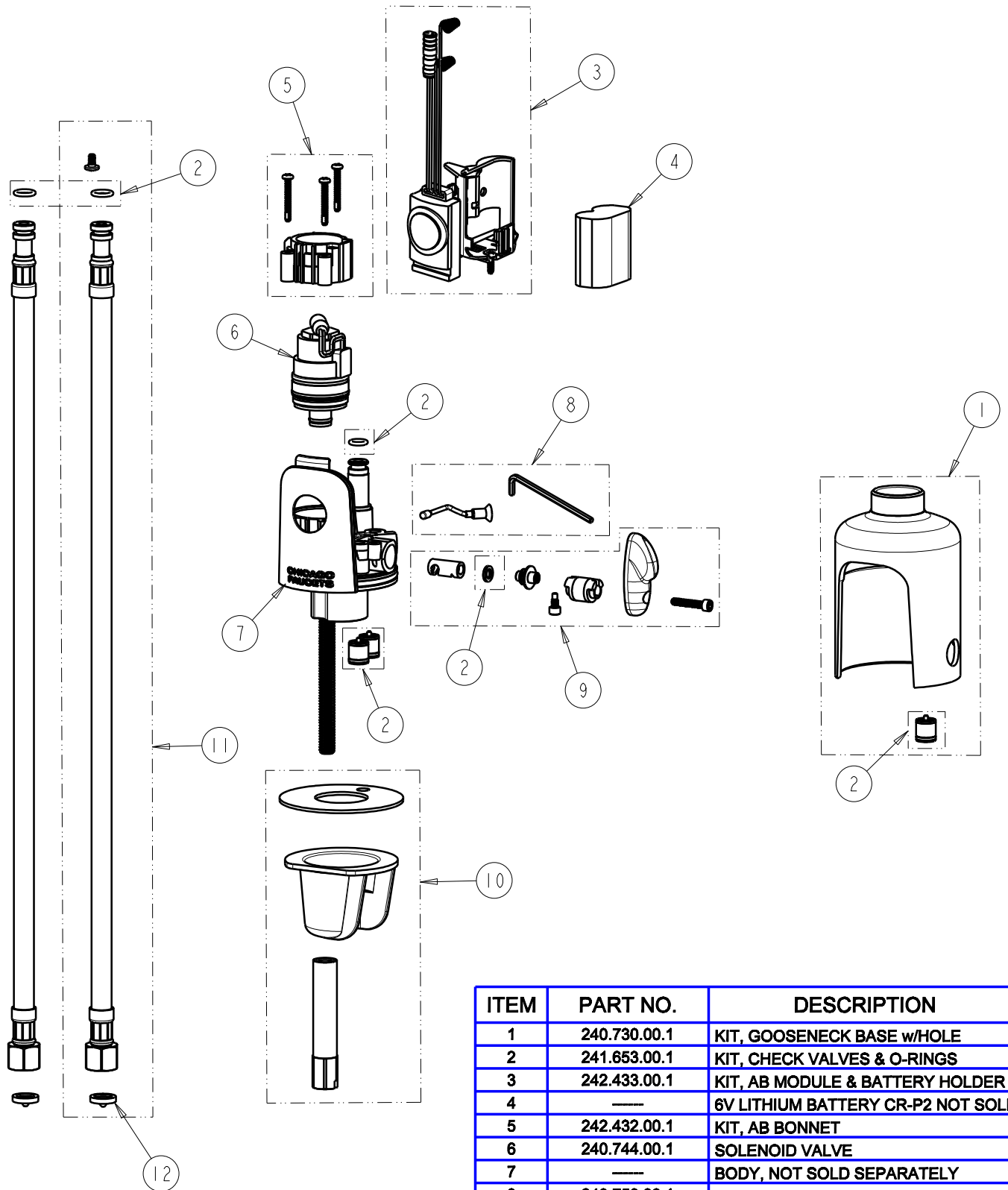
SUBMITTED MODEL NO.

ITEM NO.

BY: SID DATE: 10-07-10

CHK: *[Signature]* REV:

FOR TECHNICAL ASSISTANCE
1-800-TEC-TRUE (1-800-832-8783)



ITEM	PART NO.	DESCRIPTION
1	240.730.00.1	KIT, GOOSENECK BASE w/HOLE
2	241.653.00.1	KIT, CHECK VALVES & O-RINGS
3	242.433.00.1	KIT, AB MODULE & BATTERY HOLDER
4	---	6V LITHIUM BATTERY CR-P2 NOT SOLD
5	242.432.00.1	KIT, AB BONNET
6	240.744.00.1	SOLENOID VALVE
7	---	BODY, NOT SOLD SEPARATELY
8	240.753.00.1	SHUT-OFF SCREW ASSEMBLY
9	240.746.00.1	KIT, MIXER
10	240.745.00.1	KIT, DECK MOUNTING HARDWARE
11	240.693.00.1	KIT, SS BRAIDED HOSE (QTY 1)
12	3300-005JKNF	FILTER/SCREEN