

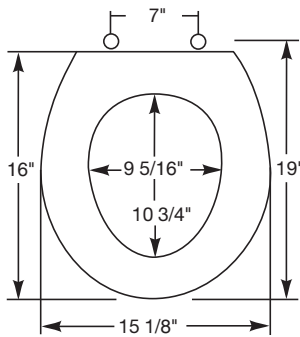


## RESIDENTIAL PLASTIC SEATS

### MODEL 800CCP



- ADAPTED FOR THE CASE 1000
- SOLID PLASTIC
- CHROME-PLATED BRASS HINGE
- 7" CENTERS BOLT INTO TANK



Seats shall be No. 800CCP as manufactured by Church Seats. Seats shall be medium weight and injection molded of solid plastic. Seats shall be closed front with cover for round bowl and feature large molded-in bumpers. Chrome-plated brass hinges with 300 series stainless steel pintles. The molded-in bumpers provide easy cleaning. Color to be white.

Ring thickness is 11/16"  
Ring thickness including the bumper is 1"  
Height of the seat with cover is 1-1/2"

