



HOSPITALITY HEAVY-DUTY PLASTIC TOILET SEAT

MODEL #

COLOR #

7900TDGSL

DESCRIPTION :

Closed front with cover, elongated, heavy-duty, injection molded solid plastic toilet seat. Features four molded-in bumpers, color-matched Whisper•Close® check hinges with non-corrosive 300 Series stainless steel posts and STA-TITE® Commercial Fastening System™. Seat contains DuraGuard® Antimicrobial Built-in Seat Protection™. This seat complies with American National Standard Z124.5 Toilet (Water Closet) Seats as a class Commercial Heavy Duty.

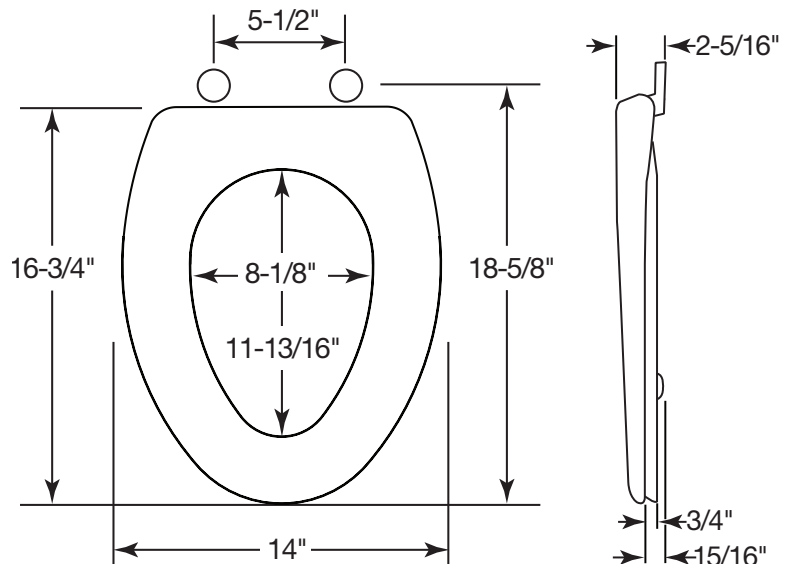
SPECIFICATIONS :

Size:	Elongated
Material:	Plastic
Style:	Closed Front with Cover
Bumpers:	Four
Hinges:	Plastic Whisper•Close® with 300 Series Stainless Steel Posts
Fastening System:	STA-TITE® Commercial Fastening System™

FEATURES :

- Whisper•Close®
- STA-TITE® Commercial Fastening System™
- DuraGuard® Antimicrobial Built-in Seat Protection™
- Non-Corrosive 300 Series Stainless Steel Posts

DIMENSIONS :



WHISPER•CLOSE®
FEATURE



PLASTIC WHISPER•CLOSE®
HINGES WITH STAINLESS
STEEL POSTS



STA-TITE® COMMERCIAL
FASTENING SYSTEM™

