

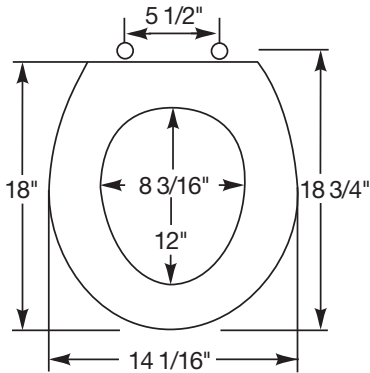


HOSPITALITY PLASTIC SEATS

MODEL 7800TDG

DuraGuard<sup>®</sup>  
ANTIMICROBIAL

- ELONGATED SEAT, CLOSED FRONT WITH COVER
- HEAVY DUTY PLASTIC
- 300 SERIES STAINLESS STEEL HINGE AND BOLT
- DURAGUARD<sup>®</sup> ANTIMICROBIAL AGENT
- STA-TITE<sup>®</sup>, COMMERCIAL FASTENING SYSTEM™



Seats shall be No. 7800TDG as manufactured by Church Seats. Seats shall contain DuraGuard<sup>®</sup>, an antimicrobial agent. Seats shall be heavy weight and injection molded of solid plastic. Seats shall be closed front with cover for elongated bowl and feature large molded-in bumpers. Seats shall have STA-TITE<sup>®</sup>, Commercial Fastening System™ featuring external check hinges with 300 Series stainless steel posts and pintles. Color to be white.

Ring thickness is 3/4"  
Ring thickness including the bumper is 1-1/16"  
Height of the seat with cover is 2-1/4"

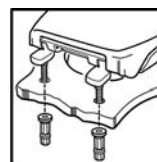


STA-TITE<sup>®</sup>, COMMERCIAL FASTENING SYSTEM™, ONE-PIECE INTEGRATED NUT AND WASHER

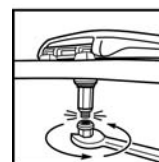


EXTERNAL CHECK HINGE WITH 300 SERIES STAINLESS STEEL BOLTS

STATITE<sup>®</sup>



Finger-tighten fastening nuts.



Using wrench, tighten until lower portion shears off.