

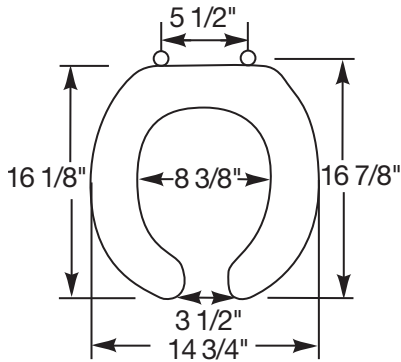


DuraGuard[®]
ANTIMICROBIAL

HOSPITALITY PLASTIC SEATS

MODEL 7750TDG

- ROUND SEAT, OPEN FRONT WITH COVER
- HEAVY DUTY PLASTIC
- 300 SERIES STAINLESS STEEL HINGE AND BOLT
- DURAGUARD[®] ANTIMICROBIAL AGENT
- STA-TITE[®], COMMERCIAL FASTENING SYSTEM[™]



Seats shall be No. 7750TDG as manufactured by Church Seats. Seats shall contain DuraGuard[®], an antimicrobial agent. Seats shall be heavy weight and injection molded of solid plastic. Seats shall be open front with cover for round bowl and feature large molded-in bumpers. Seats shall have STA-TITE[®], Commercial Fastening System[™], featuring external check hinges with 300 Series Stainless Steel posts and pintles. Color to be white.

Ring thickness is 13/16"
Ring thickness including the bumper is 1-1/16"
Height of the seat with cover is 2-5/16"

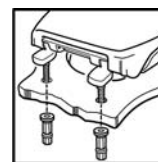


STA-TITE[®], COMMERCIAL FASTENING SYSTEM[™], ONE-PIECE INTEGRATED NUT AND WASHER

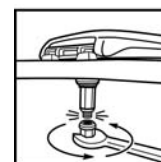


EXTERNAL CHECK HINGE WITH 300 SERIES STAINLESS STEEL BOLTS

STATITE[®]



Finger-tighten fastening nuts.



Using wrench, tighten until lower portion shears off.