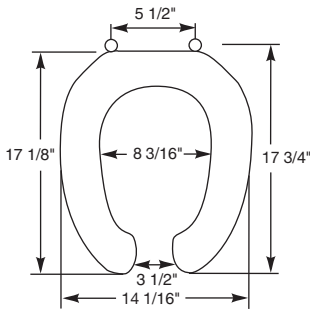




MODEL 2L2150T

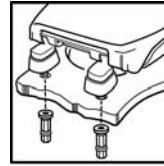
- 2" LIFT SEAT
- ELONGATED SEAT, OPEN FRONT WITH COVER
- HEAVY DUTY PLASTIC
- DURAGUARD® ANTIMICROBIAL AGENT
- STA-TITE®, COMMERCIAL FASTENING SYSTEM™

DuraGuard®
ANTIMICROBIAL

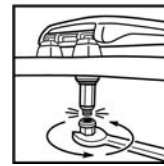


Ring thickness is 3/4"
 Ring thickness including the bumper is 2-1/16"
 Height of the seat with cover is 3-1/4"

STATITE®



Finger-tighten fastening nuts.



Using wrench, tighten until lower portion shears off.



STA-TITE®, COMMERCIAL FASTENING SYSTEM™, ONE-PIECE INTEGRATED NUT AND WASHER



EXTERNAL CHECK HINGE WITH 300 SERIES STAINLESS STEEL BOLTS



ADDITIONAL 2" OF HEIGHT