



RESIDENTIAL MOLDED WOOD TOILET SEAT

MODEL #

COLOR #

1400TTA

DESCRIPTION:

Closed front with cover, elongated, molded wood, multi-coat enamel finish toilet seat. Features two color-matched bumpers, color-matched Top-Tite® hinges with non-corrosive, top-tightening Hex-Tite™ bolts and wing nuts.

SPECIFICATIONS:

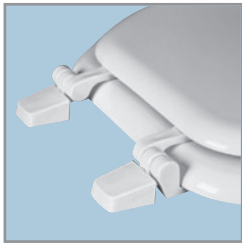
Size:	Elongated
Material:	Molded Wood
Style:	Closed Front with Cover
Bumpers:	Two
Hinges:	Plastic Top-Tite®
Fastening System:	Non-Corrosive Hex-Tite™ Bolts and Wing Nuts

FEATURES:

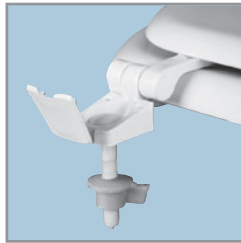
Top-Tite® Hinges

Non-Corrosive Hex-Tite™ Bolts and Wing Nuts

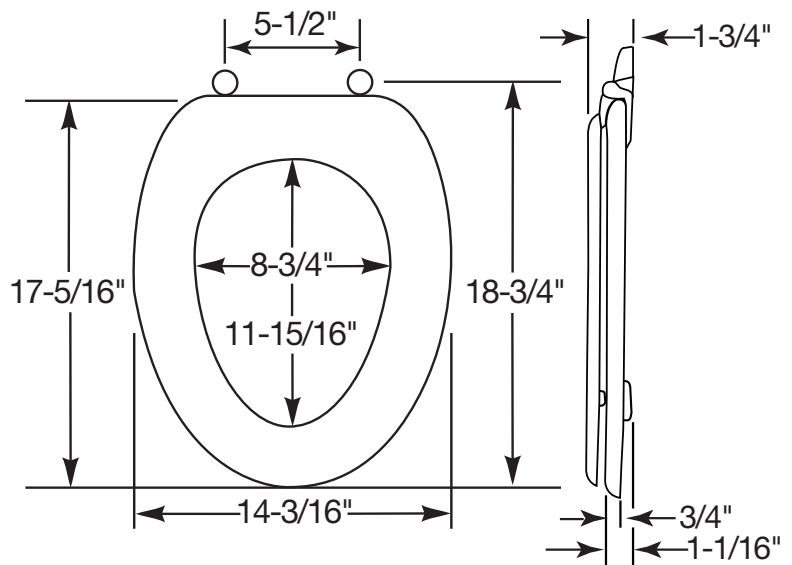
DIMENSIONS:



TOP-TITE® HINGES



NON-CORROSIVE BOLTS
AND WING NUTS



Proudly Made in the USA

Bemis Manufacturing Co., Sheboygan Falls, WI 53085
www.BemisSeats.com

Phone: 920-467-4621 | 800-558-7651 Fax: 920-467-8573