

148344PSC – REMODELINE SECTIONALS

inches (mm)

48 x 34 x 76 (1220 x 865 x 1930) • Fax on Demand #1168



FEATURES

- 4-piece shower
- Smooth wall
- Integral seat (left or right hand)
- Installed acrylic grab bar
- Center drain
- Gelcoat surface
- 5-year limited warranty

OPTIONS

- Grab bar reinforcement
- Factory installed assisted care grab bars
- Brass shower drain
- Shower Door Series L0517

AQUATIC ADVANTAGE

- National distribution
- 5 manufacturing facilities
- Private fleet
- Centralized customer service
- Field support
- 24-hour fax-on-demand

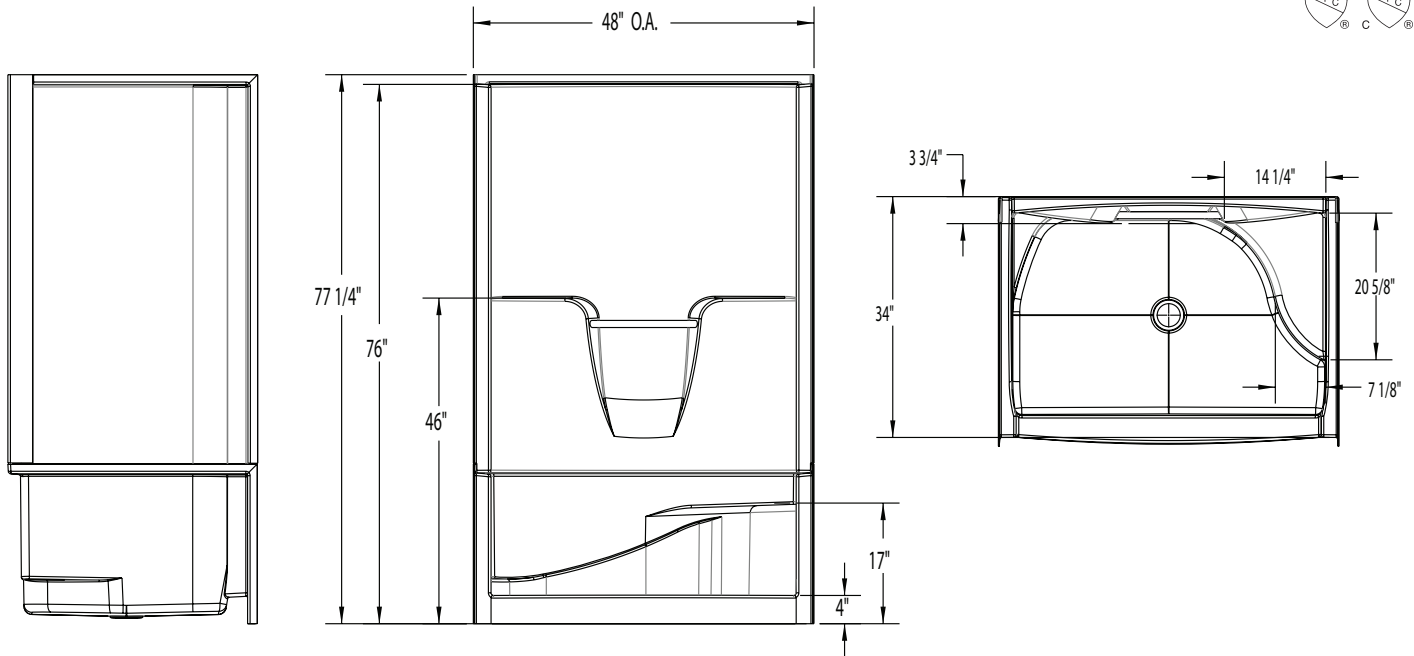
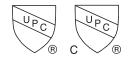
COLOR & TRIM OPTIONS

Stock	Premium
Almond	Black
Biscuit	Mexican Sand
Bone	Sand Bar
Linen	
Sterling Silver	
White	



148344PSC

48 x 34 x 76 (1220 x 865 x 1930)
inches (mm)



FEATURES lbs (kg) Dimensional Tolerance $\pm \frac{3}{8}$ ". Dimensions needed for site preparation should be measured from the unit. Aquatic assumes no responsibility for preparatory work.

Model #	Material	Wall Finish	Pieces	Drain	Seat	Net Wt.	Pkg. Wt.
Shower #148344PSC	Gelcoat	Smooth	4	Center	1 seat (LH or RH)	156 (71)	161 (73)

DIMENSIONS

Specifications	inches (mm)
Width: Overall / Net	48 (1220)
Depth: Overall / Net	35 1/4 (895) / 34 (865)
Height: Overall / Net	77 1/4 (1960) / 76 (1930)
Enclosure Opening	43 (1090)
Skirt Height	4 (100)
Drain Rough-In (from Back Wall)	16 3/4 (425)
Drain Rough-In (from Side Wall)	24 (610)
Drain: Diameter / Clearance	3 1/4 (80) / 3/4 (20)

FRAMING DIMENSIONS inches (mm)

Type	D Depth	W Width	H Height	A	B	C
Alcove	35 1/4 (895)	48 (1220)	-	Box Out	24 (610)	16 3/4 (425)

