

SERENITY 10 – SERENITY SERIES

inches (mm)

71 ¾ x 39 ⅝ x 29 ¼ (1820 x 1005 x 745) • Fax on Demand #1189

SOAKER MODEL #A110AIR7240TO

AIR BATH MODEL #A110AIR7240



Note: This model requires a remote blower location. Please refer to the owners manual for detailed installation instructions.

FEATURES (ALL MODELS)

- Freestanding bath
- Deep bathing well
- Interior and exterior can be different colors
- Slip-resistant floor
- Claw feet: Chrome, Oil-Rubbed Bronze, Polished Brass, Brushed Nickel, White
- Universal drain
- Lucite cast acrylic surface
- Limited lifetime warranty

OPTIONS

- Comfort pillow: Biscuit, Black, White
- Freestanding waste & overflow: Chrome, Oil Rubbed Bronze, Polished Brass, Brushed Nickel, White

AQUATIC ADVANTAGE

- National distribution
- 5 manufacturing facilities
- Private fleet
- Centralized customer service
- Field support
- 24-hour fax-on-demand

COLOR & TRIM OPTIONS

Stock	Premium
Almond	Black
Bone	Cashmere
Linen/Biscuit	Mexican Sand
Sterling Silver	Red
White	Sandbar

AVAILABLE SYSTEMS

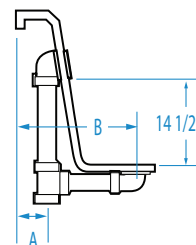
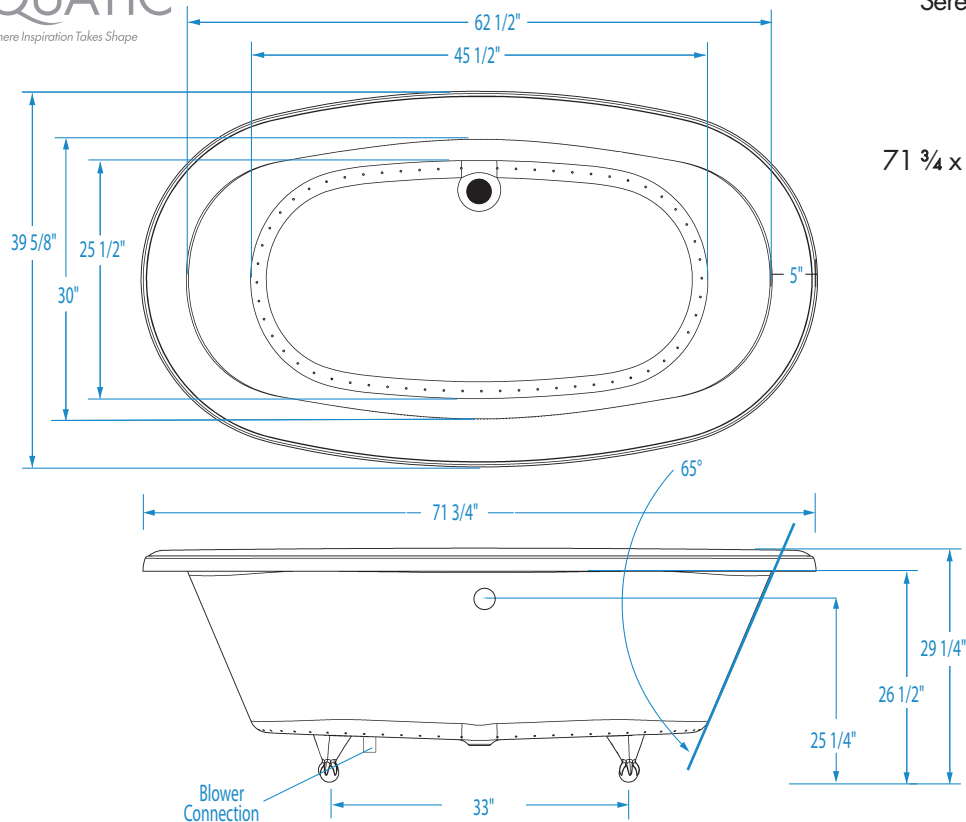
AIR BATH

- Variable speed blower with 20-minute timer
- Air heating system
- Electronic controls with wave and pulse features
- Air channels lined with antimicrobial coating
- Automatic purge and dry cycle with water sensors



SERENITY 10

71 3/4 x 39 5/8 x 29 1/4 (1820 x 1005 x 745)
inches (mm)



FEATURES lbs (kg) Dimensional Tolerance ± 3/8". Dimensions needed for site preparation should be measured from the unit. Aquatic assumes no responsibility for preparatory work.

Type and Model #	Material	System	Powered By	Heater	Controls	Drain	Pkg. Wt.
Soaker #AI10AIR7240TO	Acrylic	-	-	-	-	Universal	487 (221)
Air Bath #AI10AIR7240	Acrylic	Channel	Variable speed blower	Inline	Electronic	Universal	517 (234)

DIMENSIONS inches (mm)

Width Overall / Net	Depth Overall / Net	Height Overall / Net	Skirt Height
71 3/4 (1820)	39 5/8 (1005)	29 1/4 (745)	-

SUMP DATA inches (mm)

Capacity to Overflow gal (ltr)	Min. Operating Capacity gal (ltr)	WIDTH @ centerline		DEPTH @ centerline	
		Top	Bottom	Top	Bottom
76 (288)	-	62 1/2 (1585)	45 1/2 (1155)	30 (760)	25 1/2 (650)

PLUMBING DIMENSIONS inches (mm)

A	B
3 1/4 (80)	12 1/8 (310)

ELECTRICAL DATA

Component	Specification	Requirement
Blower/Heater (Air Bath)	10.5 AMP; 120 V	15 AMP; 120V, separate circuit; Class A GFCI
Pump (HotSoak)	1/15 HP; 1.3 AMP; 110 V	20 AMP; 110 V, separate circuit; Class A GFCI
Heater (HotSoak)	1.5 kW; 12.5 AMP; 110 V	

NOTES:

1) Where applicable, utilize cut-out templates packed with unit for deck cutouts.

2) 16 x 20 (405 x 510) minimum access required at pump/blower location(s).

Each Serenity air bath is equipped with an air heating system to raise the temperature of the air entering the bath. This air temperature will be lower than the bathing temperature of the water, but will help reduce rapid decrease in water temperature. In addition, the air coming from the air jets will feel cool against the skin. This system does not heat the water.