

SUNSET – ESTATE SERIES

inches (mm)

59 3/8 x 35 7/8 x 23 (1510 x 915 x 585) • Fax on Demand #1275

MODEL #A16036R



AQUATIC ADVANTAGE

- National distribution
- 6 manufacturing facilities
- Private fleet
- Centralized customer service
- Field support
- 24-hour fax-on-demand

COLOR & TRIM OPTIONS

Stock	Premium
Almond (C, M)	Black (C, M)
Bone (C, M)	Cashmere (M)
Linen/Biscuit (C, M)	Mexican Sand (M)
Sterling Silver (C, M)	Red (M)
White (C, M)	Sandbar (M)

C = Color Matched Trim

M = Metallic Trim (Brushed Nickel, Chrome, Polished Brass)

FEATURES

- 7 hydrotherapy jets: pressure-flo (4), StressEaz neck and shoulder therapy (1), recessed rotary (2)
- 1.75hp pump
- Electronic on/off control
- Deep bathing well
- Acrylic grab bars
- Slip-resistant floor
- Pre-leveled ABS support base
- Quiet pad anti-vibration pump mount
- Universal drain
- Lucite cast acrylic surface
- Limited lifetime warranty

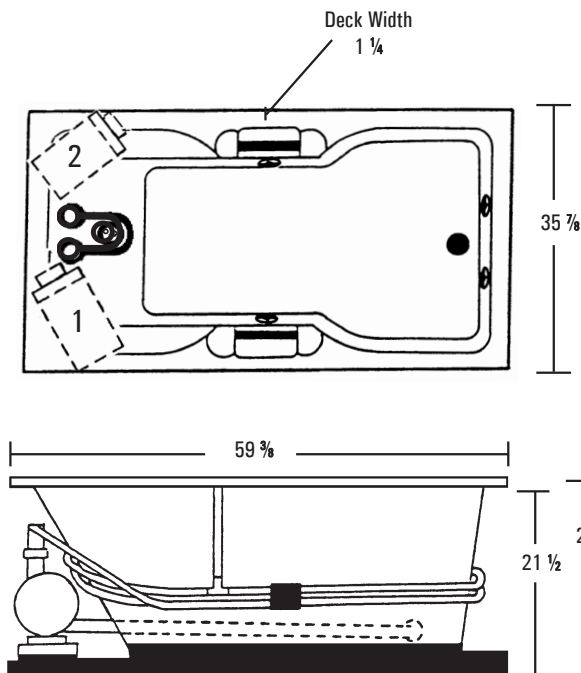
OPTIONS

- Chromatherapy LED lighting
- 1.5kW inline maintenance heater
- Comfort pillow: Biscuit, Black, White
- Grab bar(s): Chrome, Oil Rubbed Bronze, Polished Brass, Brushed Nickel, Color matched (Biscuit, White, Clear)
- Cable drive waste & overflow: Chrome, Oil Rubbed Bronze, Polished Brass, Brushed Nickel, Color Matched (Biscuit, Bone, White)
- Optional pump location
- Acrylic skirt: Color Matched
- Factory installed rigid ABS tile flange



SUNSET

59 3/8 x 35 7/8 x 23 (1510 x 915 x 585)
inches (mm)



FEATURES lbs (kg) Dimensional Tolerance ± 3/8". Dimensions needed for site preparation should be measured from the unit. Aquatic assumes no responsibility for preparatory work.

Type and Model #	Material	Jets	Pump	Heater	Controls	Drain	Pkg. Wt.
Whirlpool #A16036R	Acrylic	7	1.75 HP	1.5 kw Inline (optional)	Electronic on/off	Universal	196 (89)

DIMENSIONS inches (mm)

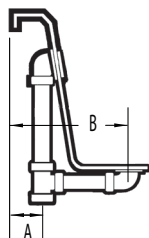
Width Overall / Net	Depth Overall / Net	Height Overall / Net	Skirt Height
59 3/8 (1510)	35 7/8 (915)	23 (585)	-

SUMP DATA inches (mm)

Capacity to Overflow gal (ltr)	Min. Operating Capacity gal (ltr)	WIDTH @ centerline		DEPTH @ centerline	
		Top	Bottom	Top	Bottom
75 (1905)	56 (212)	53 1/2 (1360)	39 1/2 (1005)	23 1/2 (595)	21 1/2 (545)

PLUMBING DIMENSIONS inches (mm)

A	B
2 1/4 (60)	10 1/2 (270)



ELECTRICAL DATA

Component	Specification	Requirement
Pump	1.75 HP; 12 AMP; 110 V	15 AMP; 110V, separate circuit; Class A GFCI
Optional Heater	1.5 kW; 12.5 AMP; 110 V	15 AMP; 110V, separate circuit; Class A GFCI

NOTES:

1) Where applicable, utilize cut-out templates packed with unit for deck cutouts.

2) 16 x 20 (405 x 510) minimum access required at pump/blower location(s).