

RESTORATION I – RESTORATION SERIES

inches (mm)

60 x 31 ½ x 30 ¼ (1525 x 800 x 770) • Fax on Demand #1326

SOAKER MODEL #AIY6017TO



FEATURES

- Deep bathing well
- Claw feet: Chrome, Oil-Rubbed Bronze, Polished Brass, Brushed Nickel, White
- Slip-resistant floor
- End drain
- Lucite cast acrylic surface
- Available in white only
- Limited lifetime warranty

OPTIONS

- Comfort pillow: Biscuit, Black, White
- Freestanding waste & overflow: Chrome, Oil Rubbed Bronze, Polished Brass, Brushed Nickel, White

AQUATIC ADVANTAGE

- National distribution
- 5 manufacturing facilities
- Private fleet
- Centralized customer service
- Field support
- 24-hour fax-on-demand

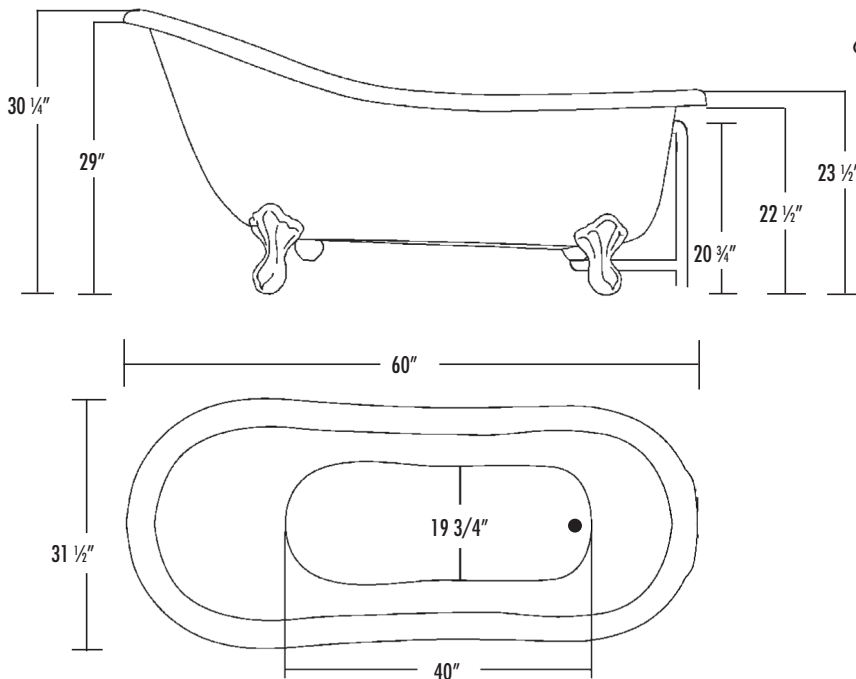


AQUATIC
Where Inspiration Takes Shape



RESTORATION I

60 x 31 1/2 x 30 1/4 (1525 x 800 x 770)
inches (mm)



FEATURES lbs (kg) Dimensional Tolerance ± 3/8". Dimensions needed for site preparation should be measured from the unit. Aquatic assumes no responsibility for preparatory work.

Type and Model #	Material	Drain	Pkg. Wt.
Soaker #AIY6017TO	Acrylic	End	194 (85)

DIMENSIONS inches (mm)

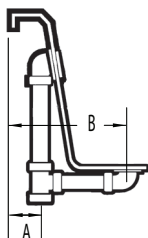
Width Overall / Net	Depth Overall / Net	Height Overall / Net	Skirt Height
60 (1525)	31 1/2 (800)	30 1/4 (770)	-

SUMP DATA inches (mm)

Capacity to Overflow gal (ltr)	Min. Operating Capacity gal (ltr)	WIDTH @ centerline		DEPTH @ centerline	
		Top	Bottom	Top	Bottom
41 (155)	-	53 1/4 (1350)	43 3/4 (1110)	24 1/4 (615)	19 3/4 (500)

PLUMBING DIMENSIONS inches (mm)

A	B
2 1/4 (55)	11 (280)



NOTES:

1) Where applicable, utilize cut-out templates packed with unit for deck cutouts.

2) 16 x 20 (405 x 510) minimum access required at pump/blower location(s).