

2603GCM – EVERYDAY TUB/SHOWERS

inches (mm)

60 x 32 x 74 (1525 x 815 x 1880) • Fax on Demand #9025



FEATURES

- Tub-shower
- Smooth wall finish
- Ergonomic backrest
- Installed acrylic grab bar
- Molded toiletry shelves
- Above-floor rough
- Slip-resistant textured bottom
- Left or right hand drain
- Gelcoat surface
- 5-year limited warranty

OPTIONS

- Grab bar reinforcement
- Factory installed assisted care grab bars
- Designer drain, waste & overflow
- Shower Door Series L0516

AQUATIC ADVANTAGE

- National distribution
- 5 manufacturing facilities
- Private fleet
- Centralized customer service
- Field support
- 24-hour fax-on-demand

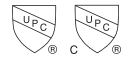
COLOR & TRIM OPTIONS

Stock	Premium
Almond	Black
Biscuit	Mexican Sand
Bone	Sand Bar
Linen	
Sterling Silver	
White	

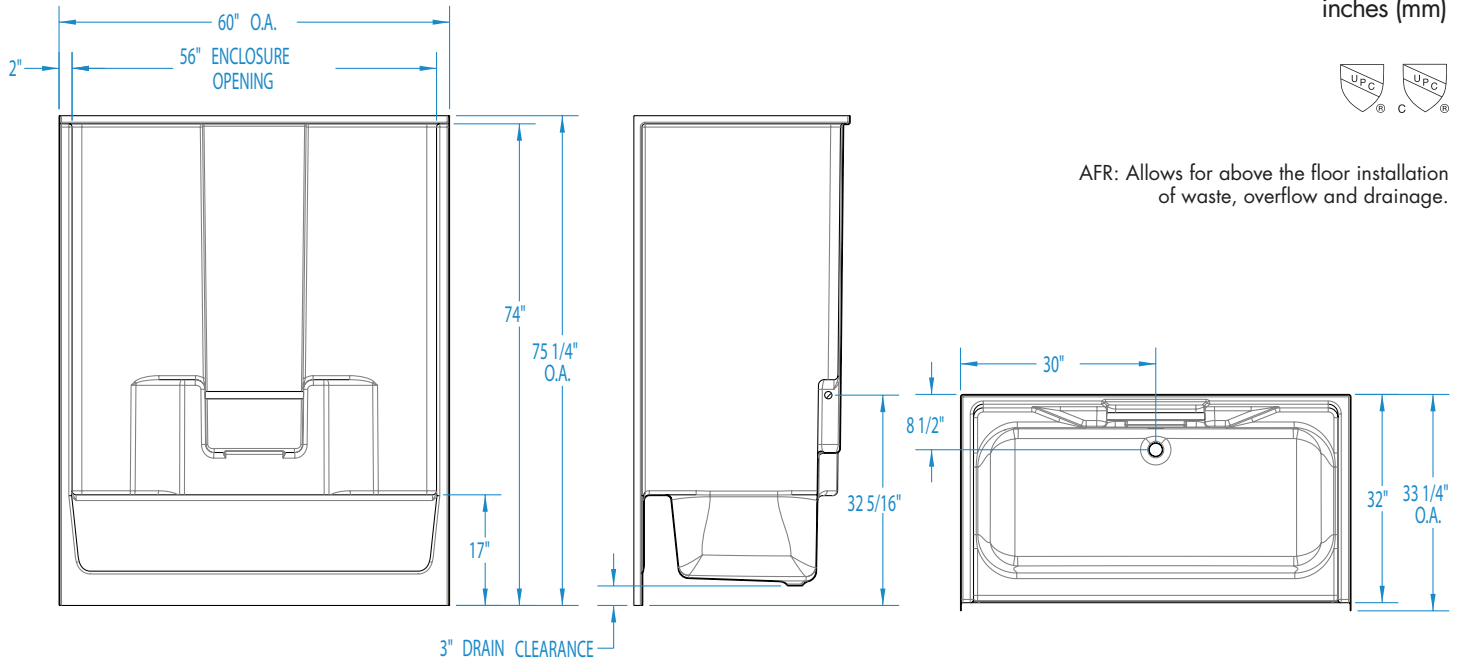


2603GCM

60 x 32 x 74 (1525 x 815 x 1880)
inches (mm)



AFR: Allows for above the floor installation of waste, overflow and drainage.



FEATURES lbs (kg) Dimensional Tolerance ± 3%. Dimensions needed for site preparation should be measured from the unit. Aquatic assumes no responsibility for preparatory work.

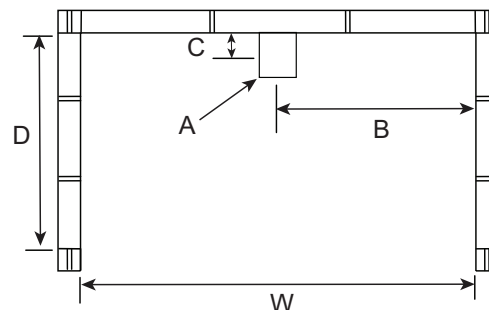
Model #	Material	Wall Finish	Jets	Motor	Controls	Drain	Net Wt.	Pkg. Wt.
AFR Tub-Shower #2603GCM	Gelcoat	Smooth	-	-	-	LH or RH	125 (57)	130 (59)

DIMENSIONS

Specifications	inches (mm)
Width: Overall / Net	60 (1525)
Depth: Overall / Net	33 1/4 (845) / 32 (815)
Height: Overall / Net	75 1/4 (1910) / 74 (1880)
Enclosure Opening	56 (1420)
Skirt Height	17 (430)
Drain Rough-In (from Back Wall)	2 (50)
Drain Rough-In (from Side Wall)	30 (760)
Drain: Diameter / Clearance	2 (50) / 3 (75)

FRAMING DIMENSIONS inches (mm)

Type	D Depth	W Width	H Height	A	B	C
Alcove	33 1/4 (845)	60 1/8 (1525)	-	Box Out	30 (75)	2 (50)



SUMP DATA

Top of Drain to Bottom of Overflow	Capacity to Overflow gal (ltr)	Min. Operating Capacity gal (ltr)	WIDTH @ centerline		DEPTH @ centerline	
			Top	Bottom	Top	Bottom
9 7/8 (250)	42 (159)	-	55 (1395)	50 7/8 (1295)	24 (610)	21 (535)